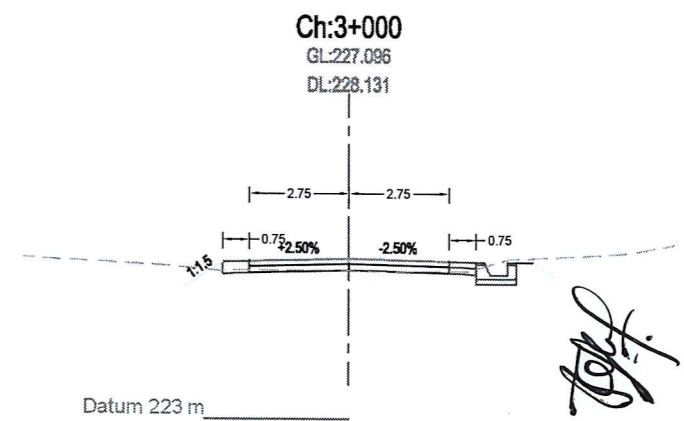
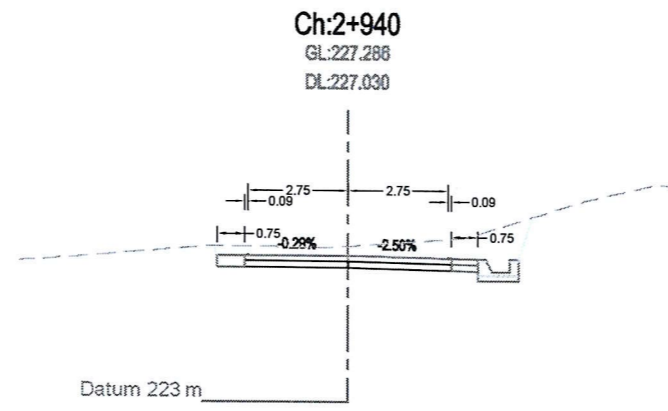
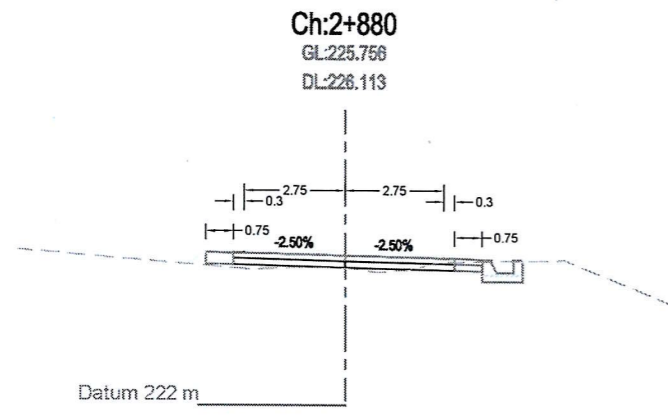
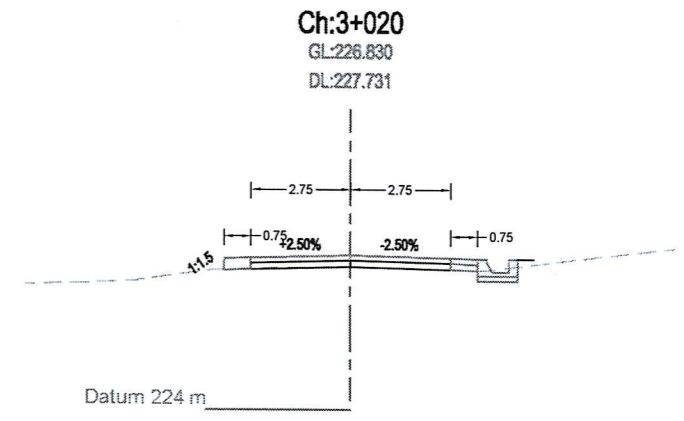
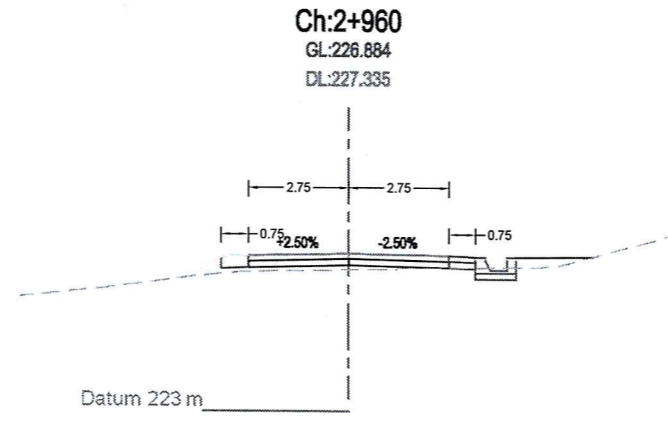
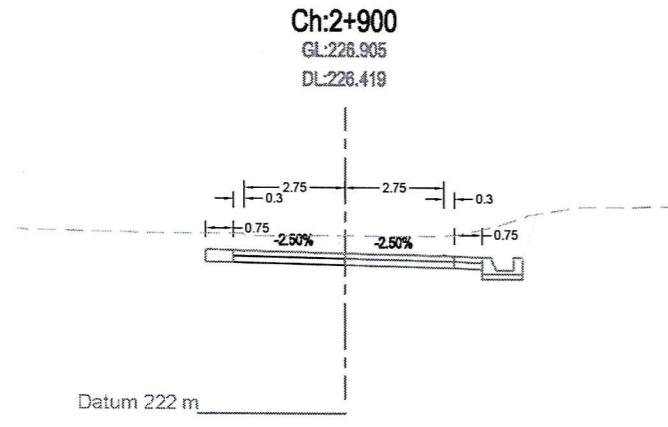
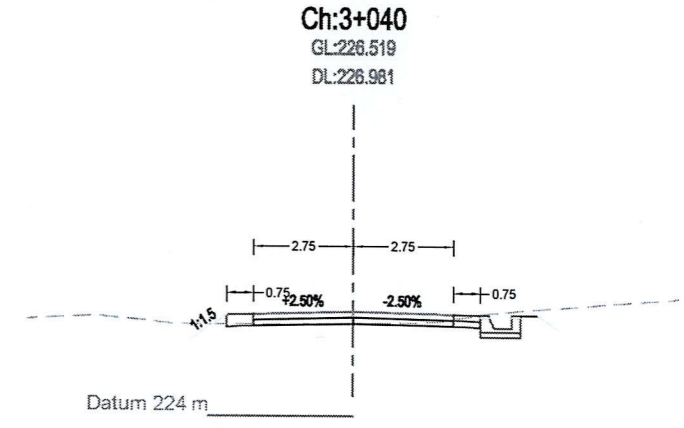
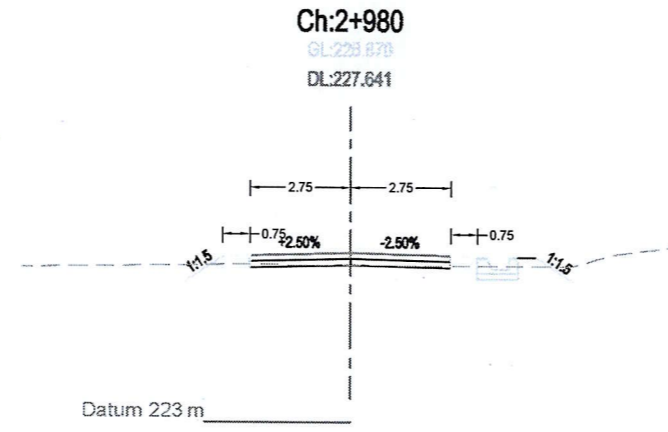
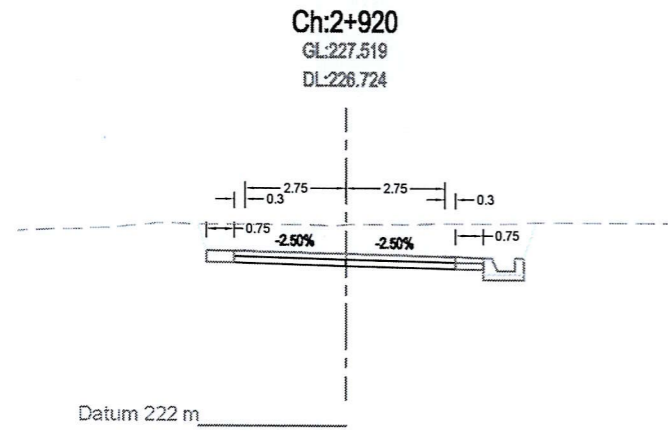


CROSS SECTION



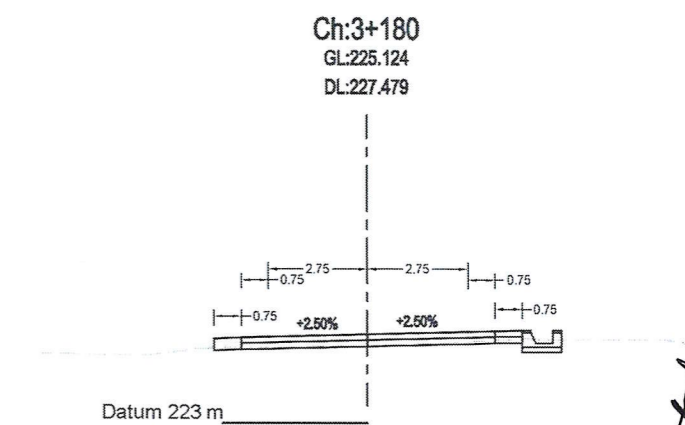
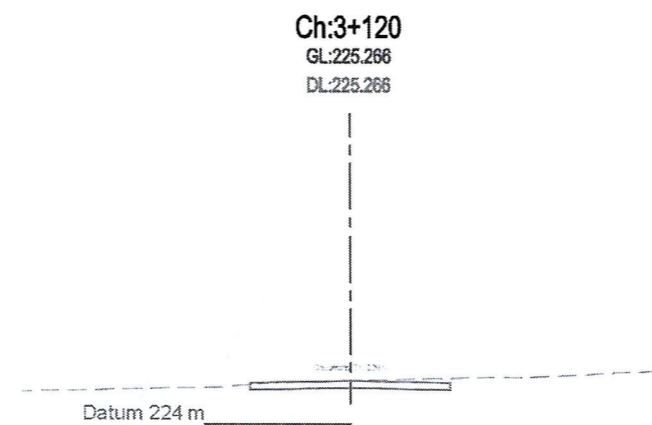
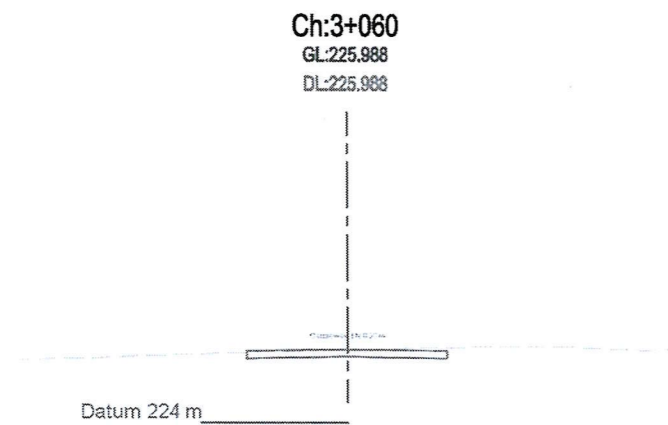
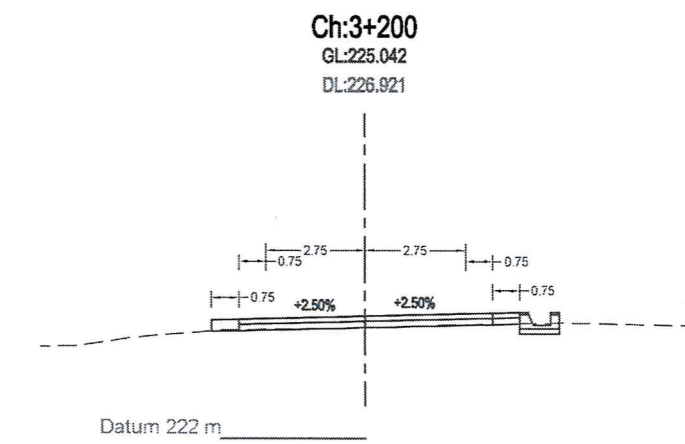
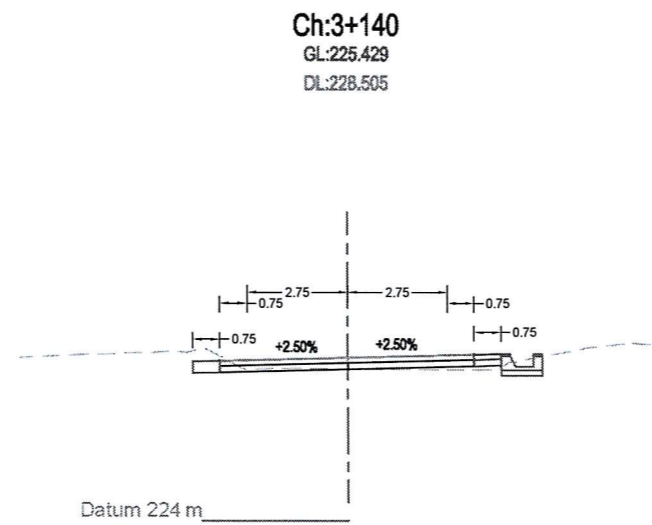
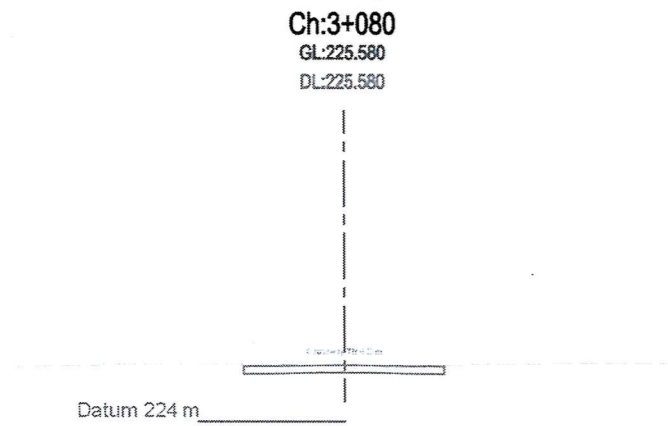
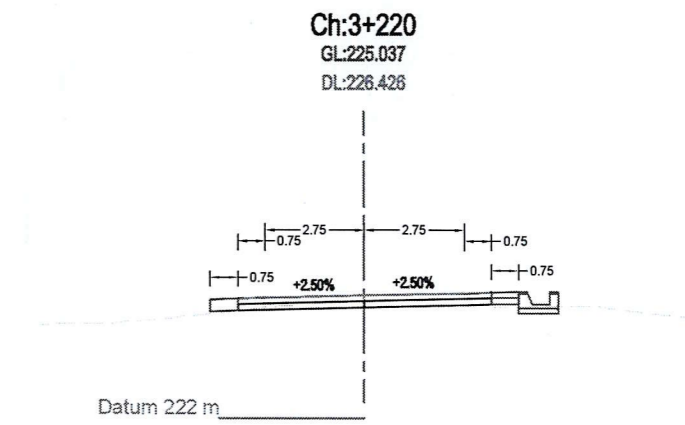
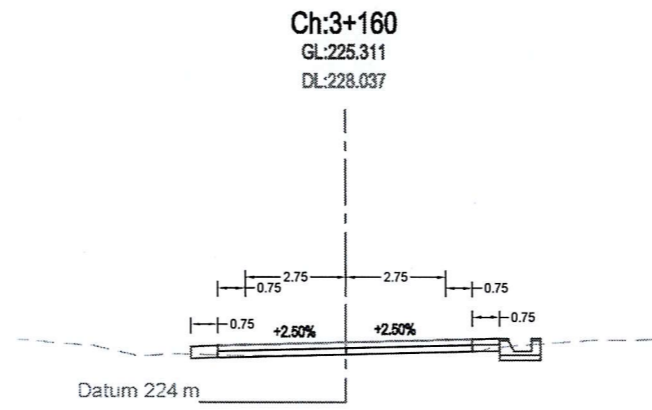
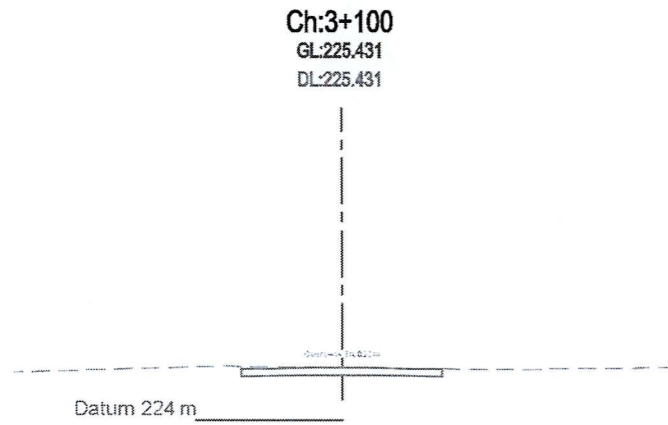
CROSS SECTION : Main Alignment




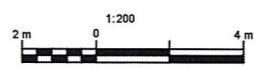


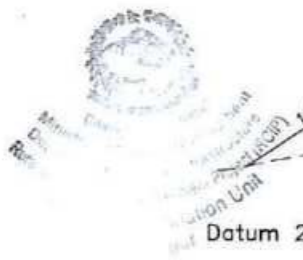
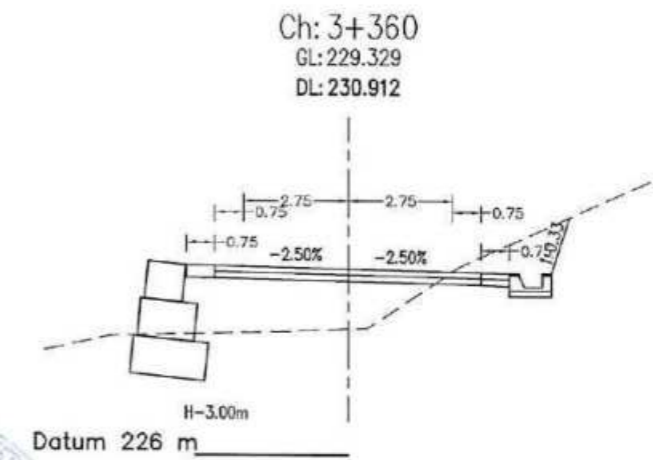
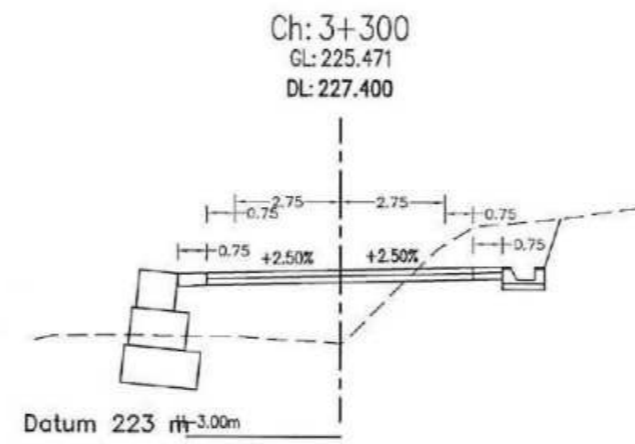
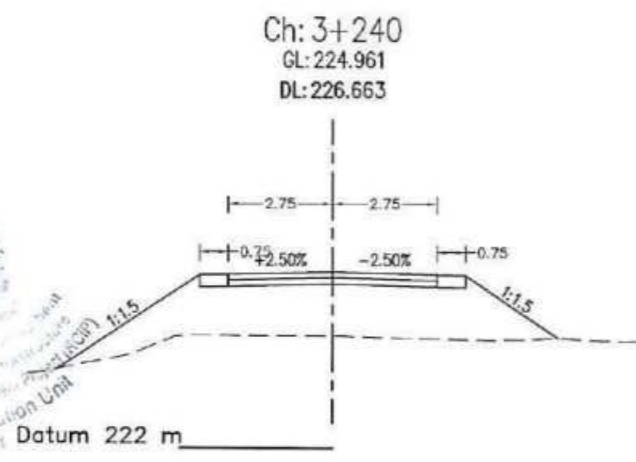
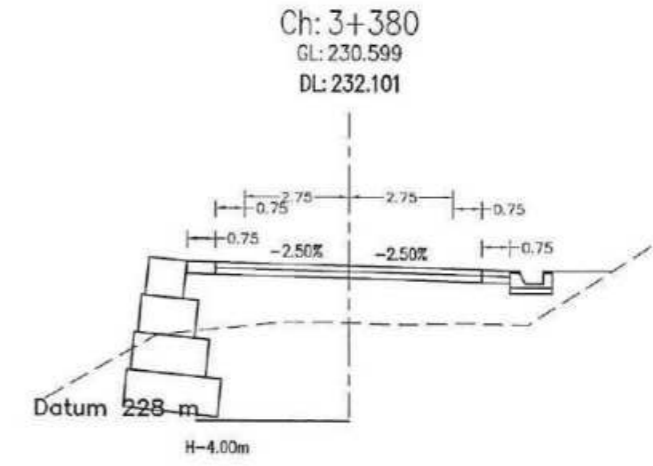
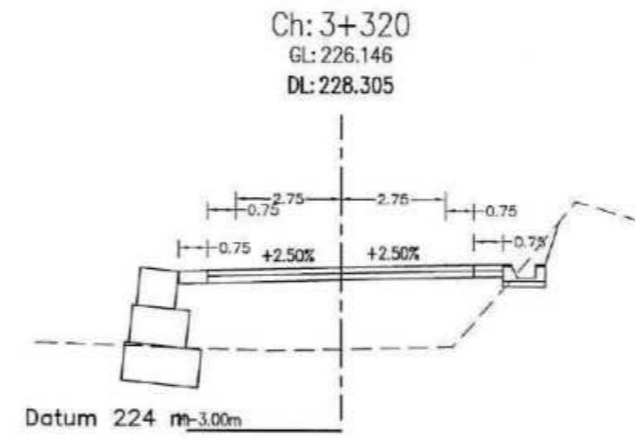
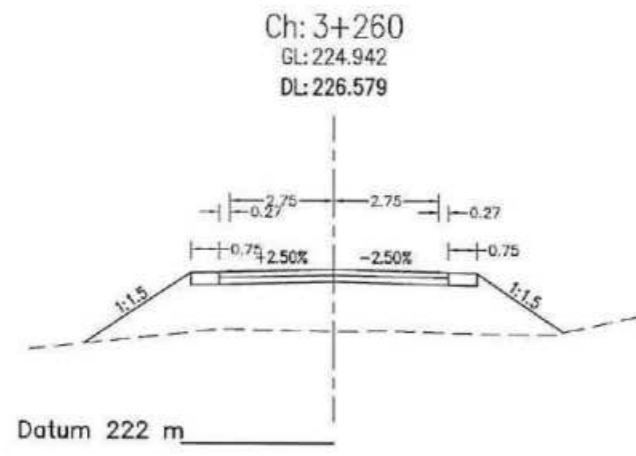
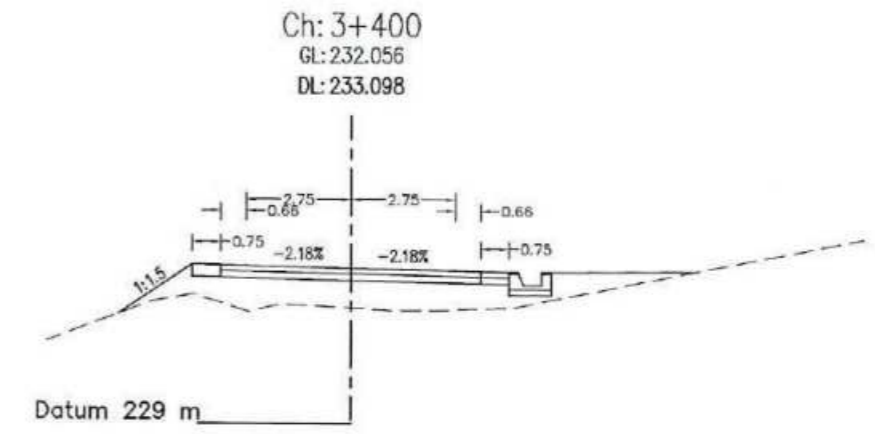
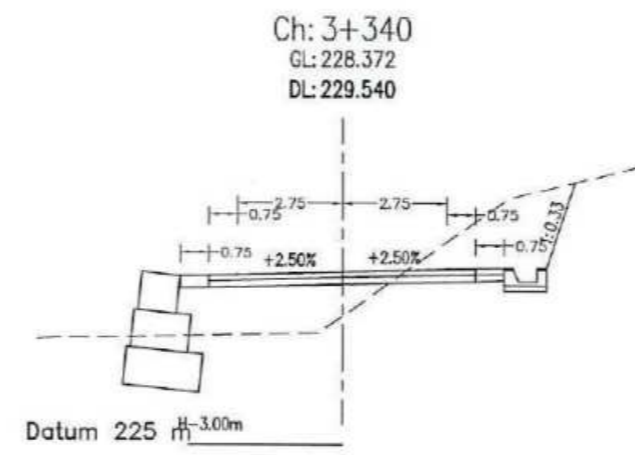
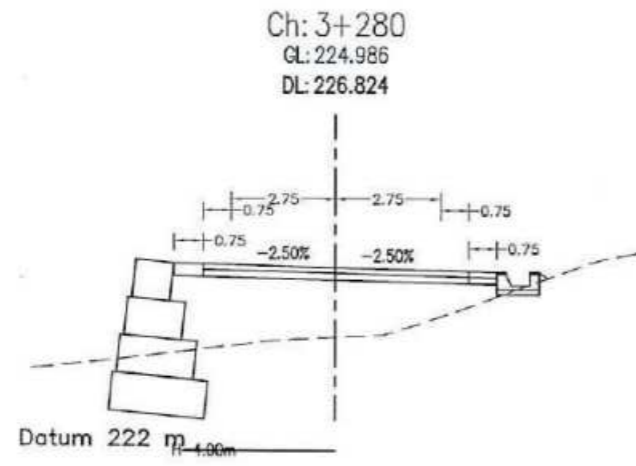
[Handwritten Signature]

<p>Government of Nepal Ministry of Federal Affairs and General Administration Department of Local Infrastructure (DoLI) Rural Connectivity Improvement Project (RCIP) Project Coordination Unit (PCU) Pulchowk, Lalitpur</p>	<p>Consultant: Joint Venture of AVIYAAN - SOILTEST - CARD 254 Ekata Marg, New Baneshwor, Kathmandu-34, Nepal Phone: 977-1-4104307 Email: info@aviyaan.com</p>	<p>Jagadi - Dhansari - Ganeshman Charnath Na. Pa. (Province No - 2 Connecting) Road, Sindhuli</p>	DATE	REVISION	SIGNATURE	DESIGNED BY :	<p>SCALE</p>	<p>Cross-Section</p>	DATE:
						DRAWN BY :			DRG NO : CS
						CHECKED BY :			SHEET NO :
						APPROVED BY :			



[Handwritten signature]

 <p>Government of Nepal Ministry of Federal Affairs and General Administration Department of Local Infrastructure (DoLI) Rural Connectivity Improvement Project (RCIP) Project Coordination Unit (PCU) Pulchowk, Lalitpur</p>	<p>Consultant: Joint Venture of AVIYAAN - SOILTEST - CARD 254 Ekata Marg, New Baneshwor, Kathmandu-34, Nepal Phone: 977-1-4104307 Email: info@aviyaan.com</p>	<p>Jagadi - Dhansari - Ganeshman Charnath Na. Pa. (Province No - 2 Connecting) Road, Sindhuli</p>	DATE	REVISION	SIGNATURE	DESIGNED BY :	<p>SCALE</p> 	<p>Cross-Section</p> <p>3+060-3+220</p>	DATE:
						DRAWN BY :			DRG NO: CS
						CHECKED BY :			SHEET NO:
						APPROVED BY :			

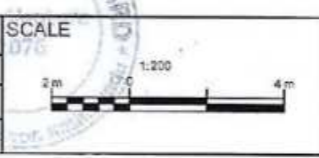


Government of Nepal
Ministry of Federal Affairs and General Administration
Department of Local Infrastructure (DoLI)
Rural Connectivity Improvement Project (RCIP)
Project Coordination Unit (PCU)
Pulchowk, Lalitpur

Consultant:
Joint Venture of
AVIYAAN - SOILTEST - CARD
254 Ekata Marg, New Baneshwar,
Kathmandu-34, Nepal
Phone: 977-1-4404307
Email: info@aviyaan.com

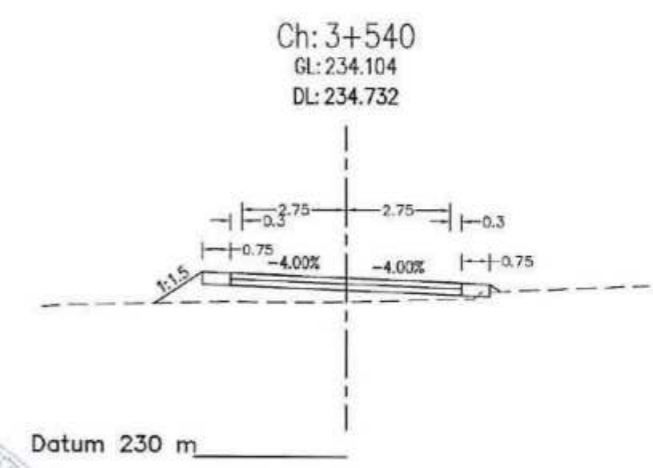
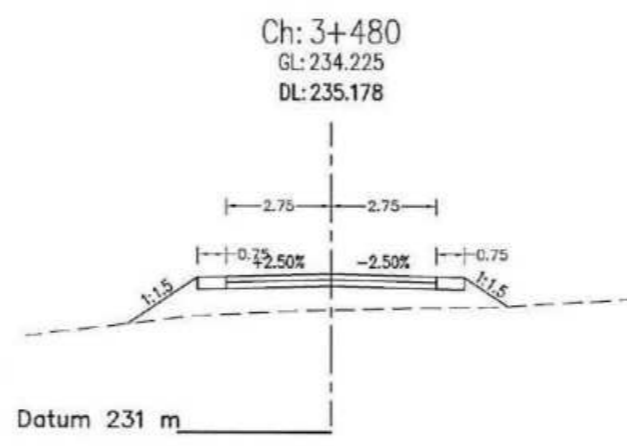
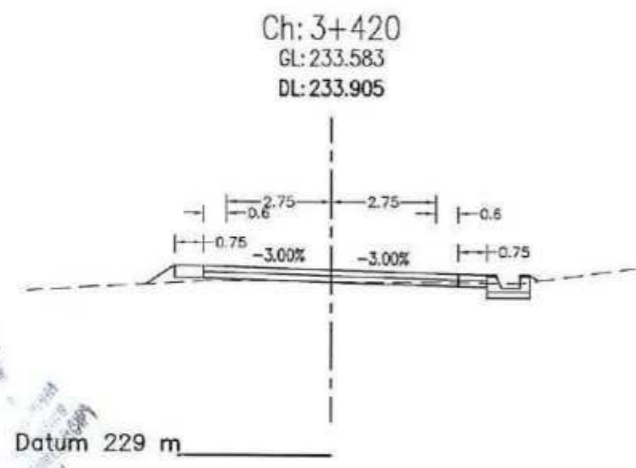
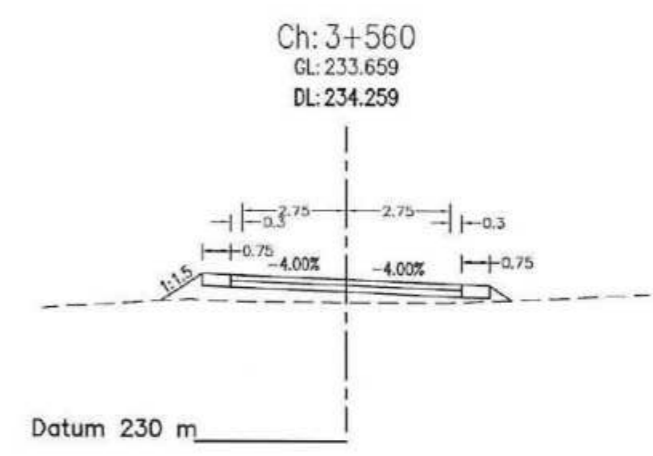
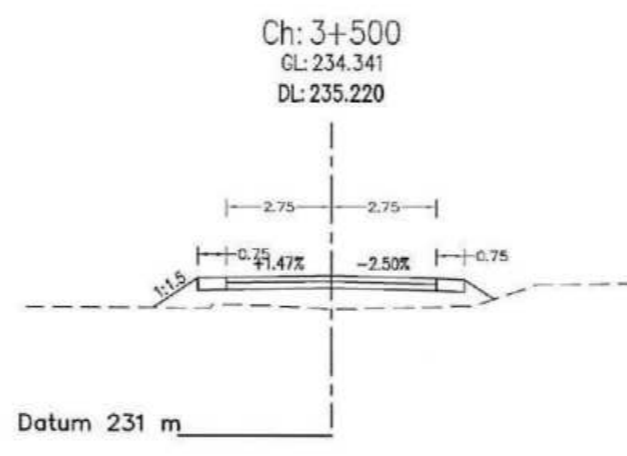
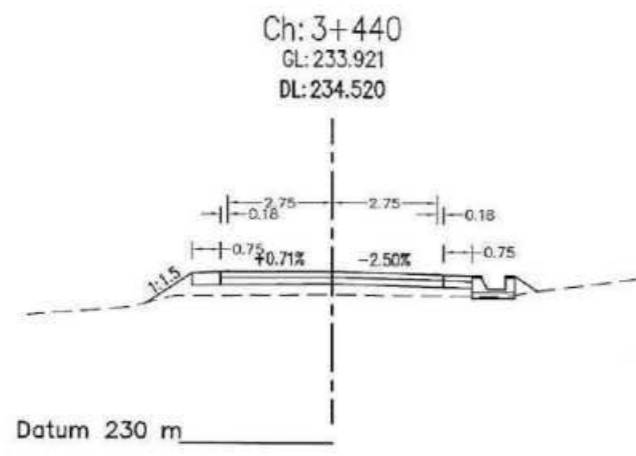
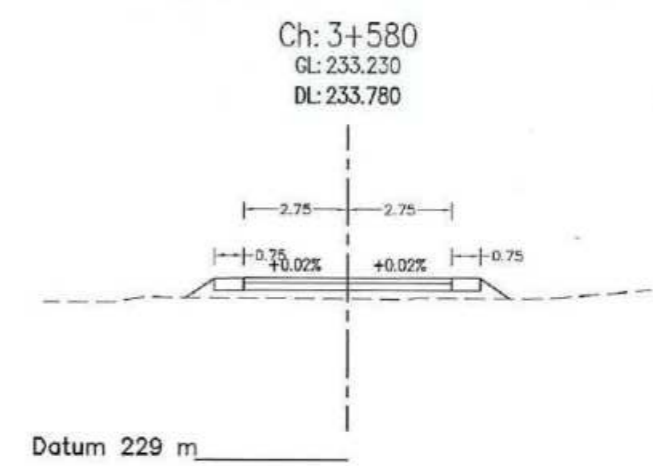
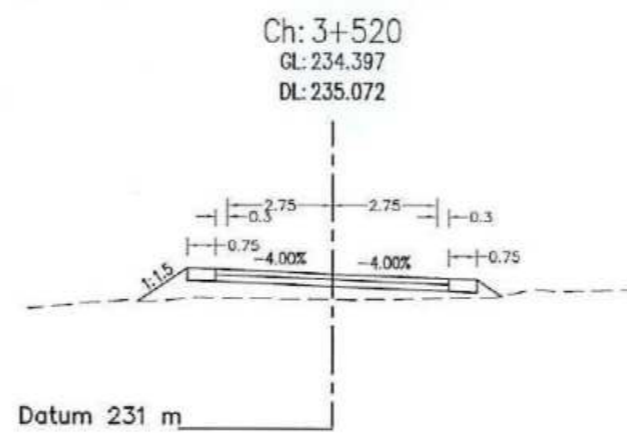
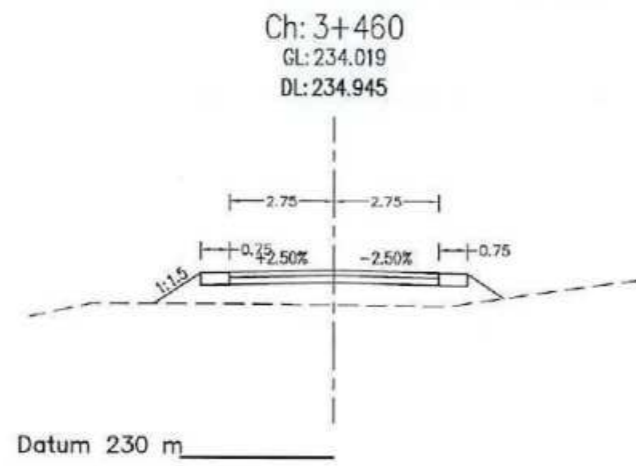
Jagadi - Dhansari -
Ganeshman Charnath Na. Pa.
(Province No - 2 Connecting)
Road, Sindhuli

DATE	REVISION	SIGNATURE	DESIGNED BY :	DRAWN BY :	CHECKED BY :	APPROVED BY :



Cross-Section
3+240-3+400

DATE:
DRG NO : CS
SHEET NO : 19

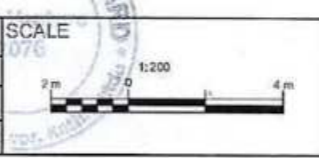


Government of Nepal
Ministry of Federal Affairs and General Administration
Department of Local Infrastructure (DoLI)
Rural Connectivity Improvement Project (RCIP)
Project Coordination Unit (PCU)
Pulchowk, Lalitpur

Consultant:
Joint Venture of
AVIYAAN - SOILTEST - CARD
254 Ekata Marg, New Baneshwor,
Kathmandu-34, Nepal
Phone: 977-1-4104307
Email: info@aviyaan.com

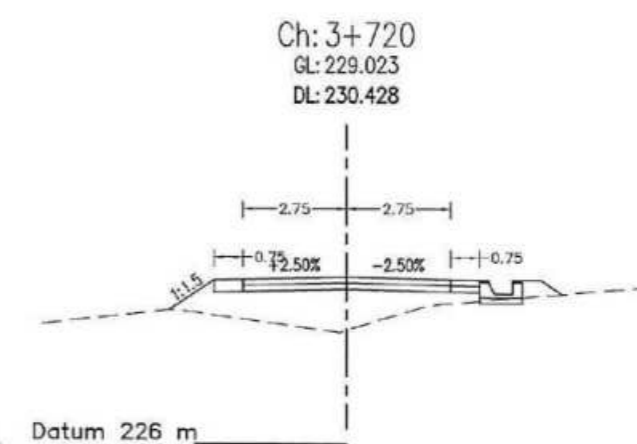
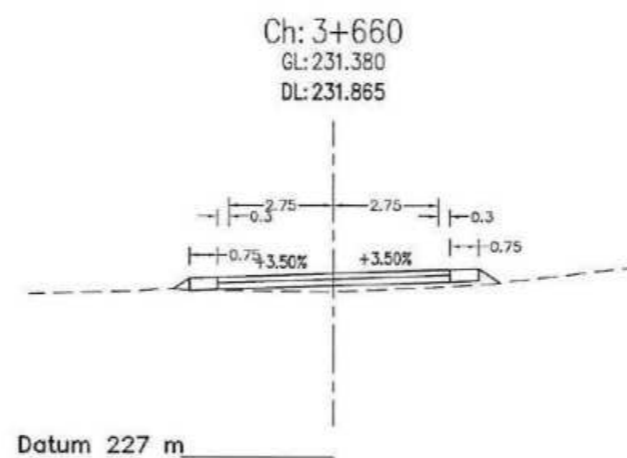
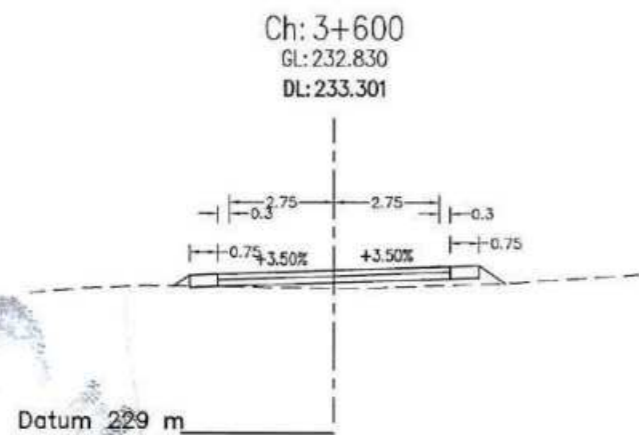
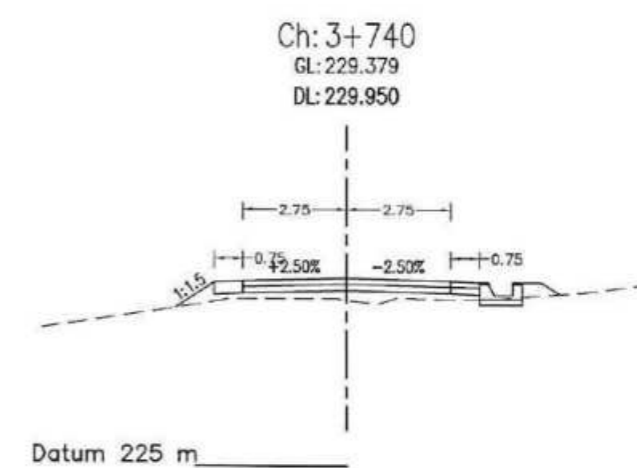
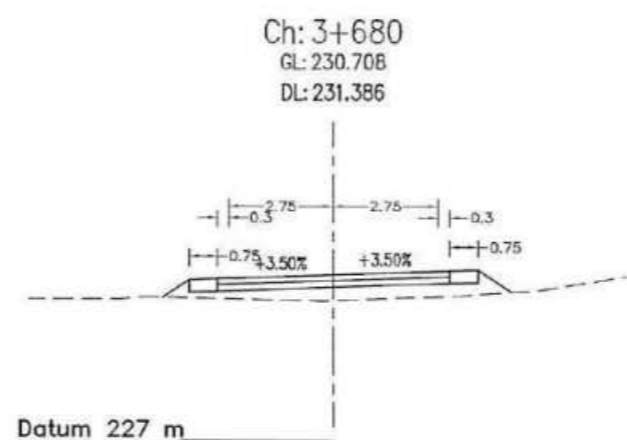
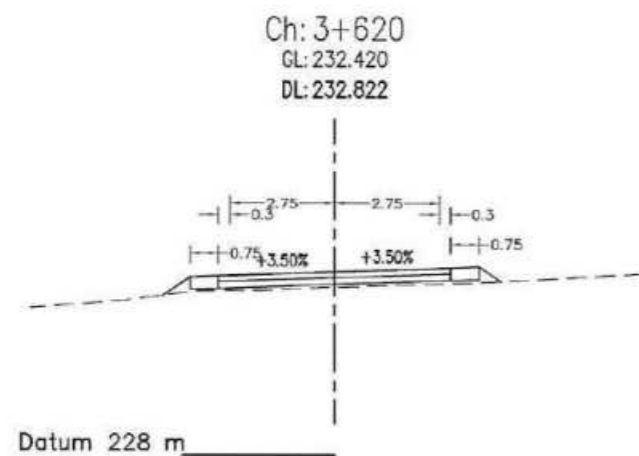
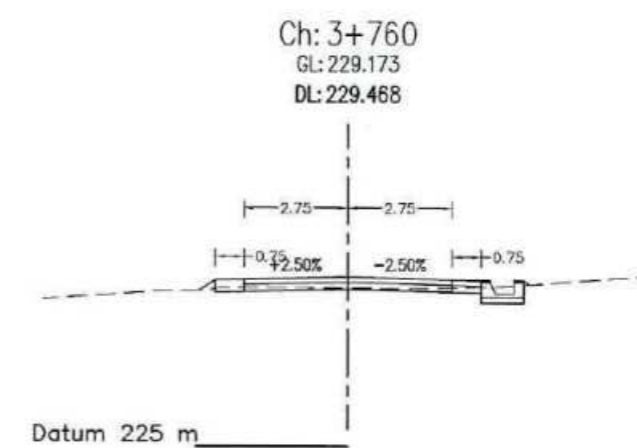
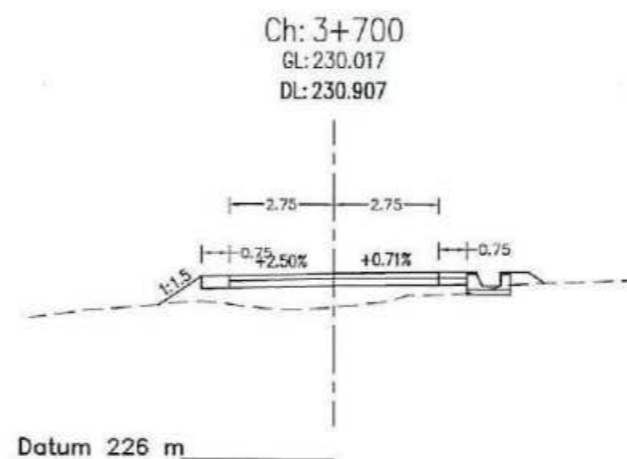
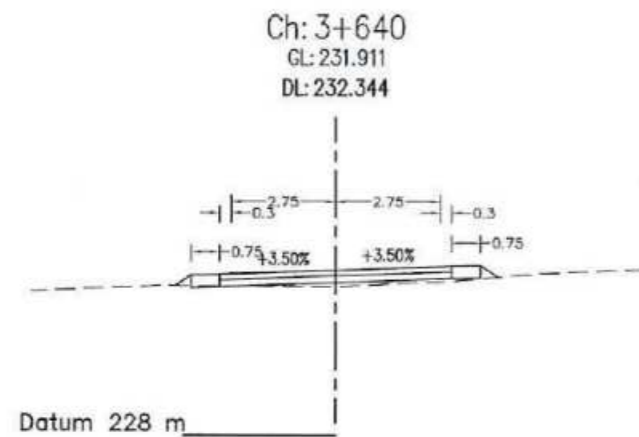
Jagadi - Dhansari -
Ganeshman Charnath Na. Pa.
(Province No - 2 Connecting)
Road, Sindhuli

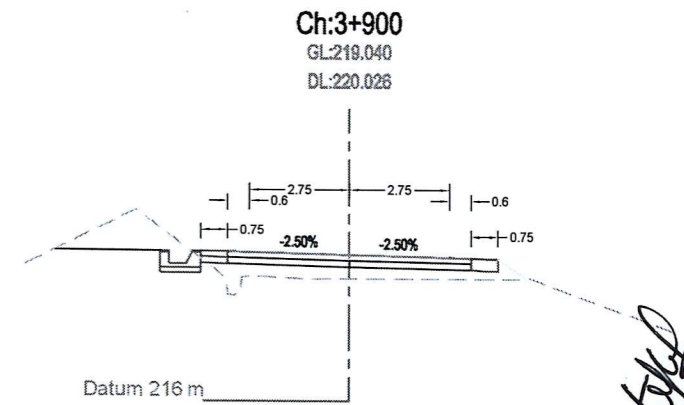
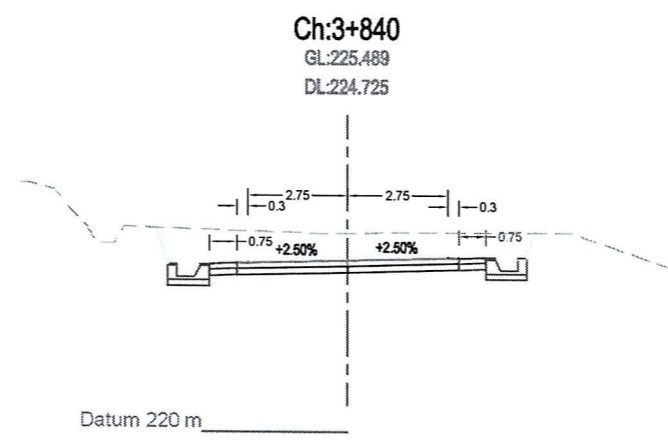
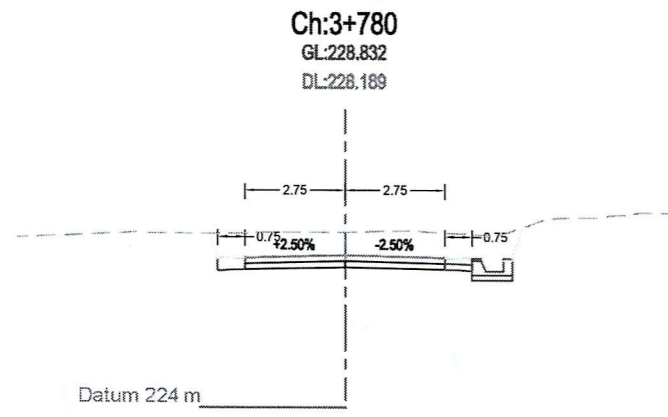
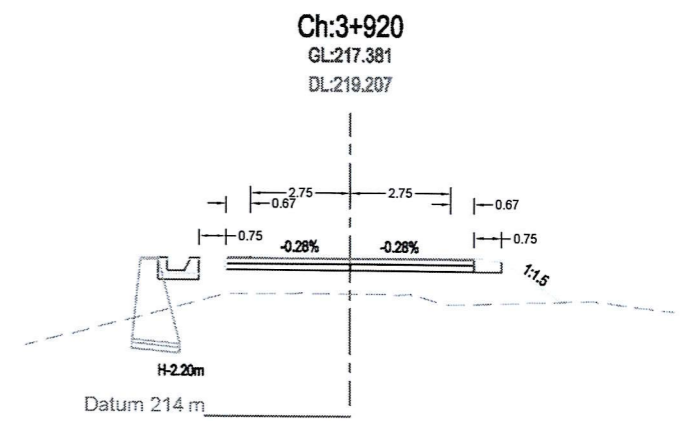
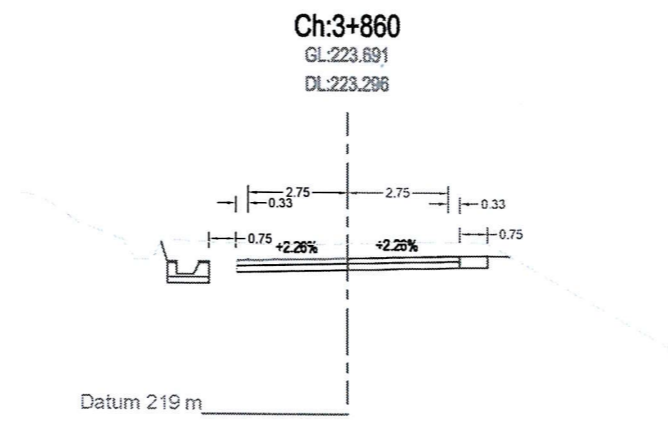
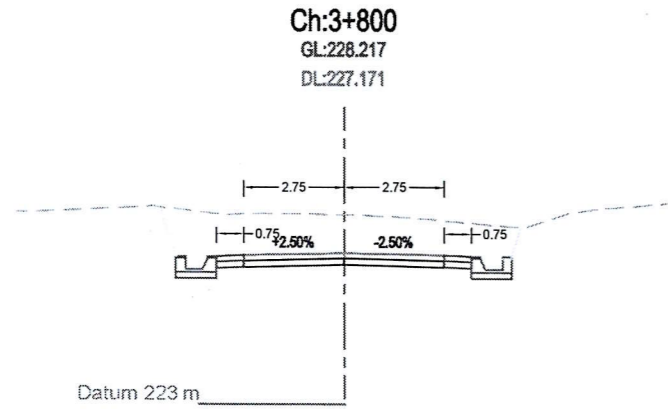
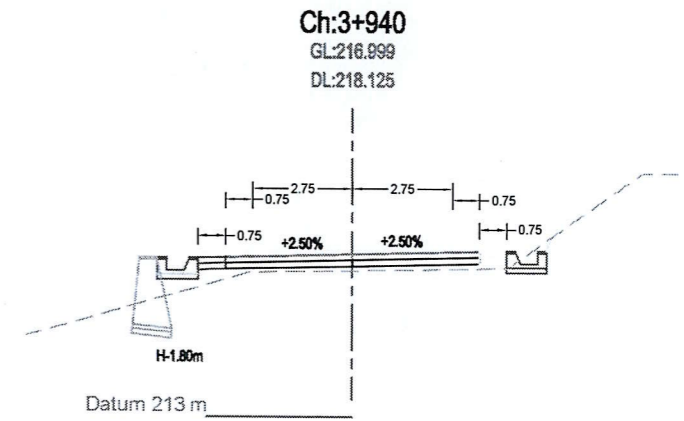
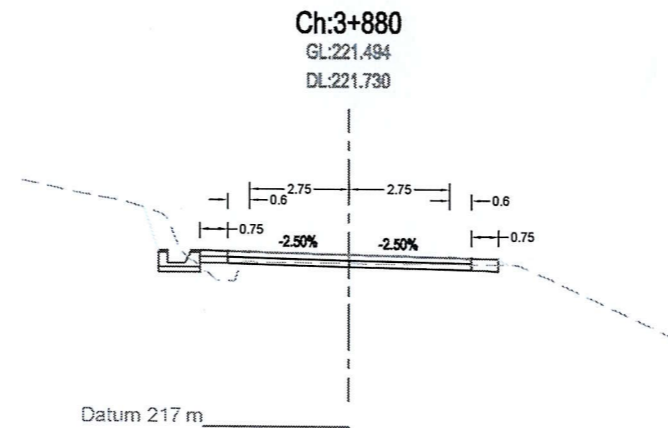
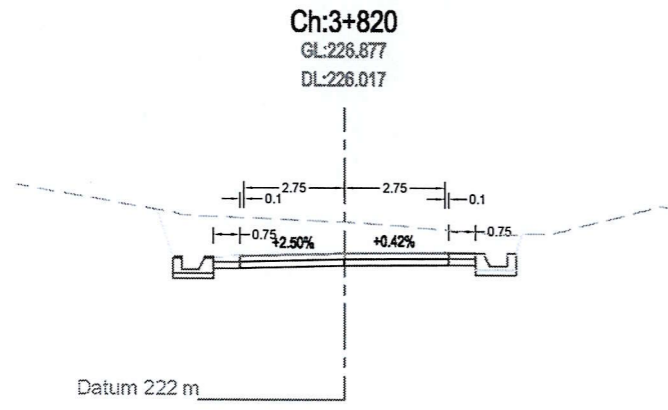
DATE	REVISION	SIGNATURE	DESIGNED BY :
			DRAWN BY :
			CHECKED BY :
			APPROVED BY :




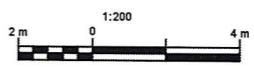
Cross-Section
3+420-3+580

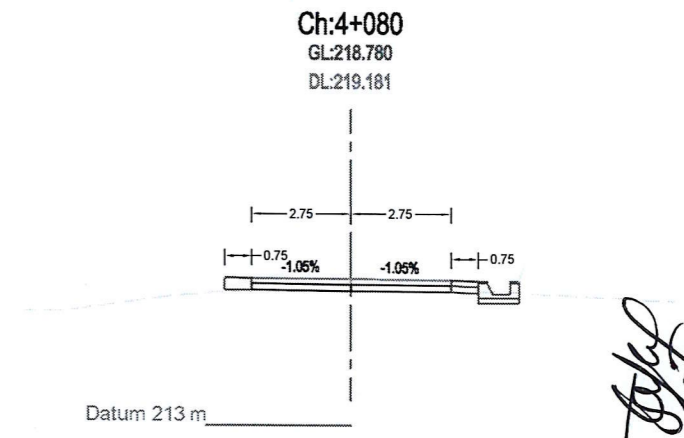
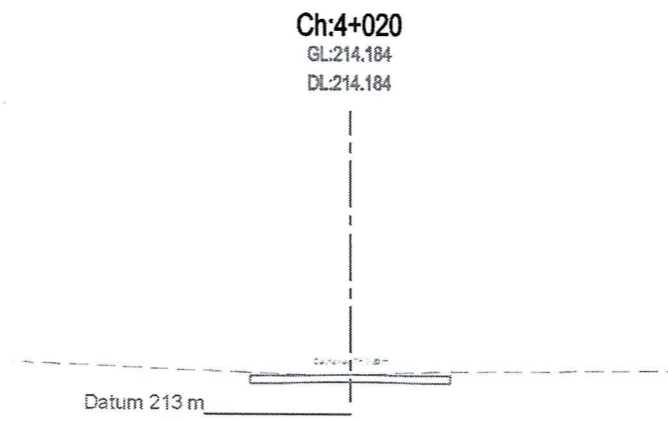
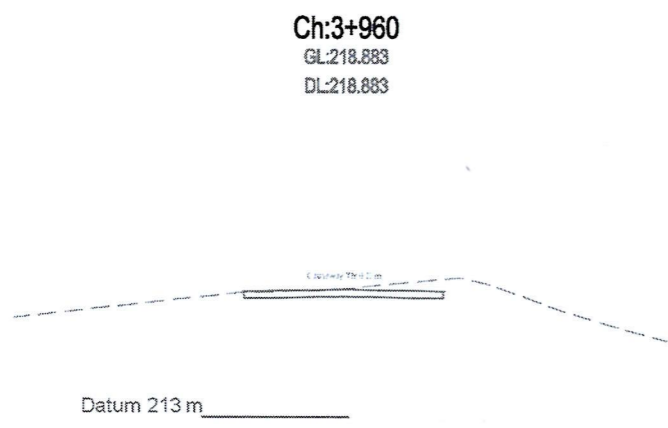
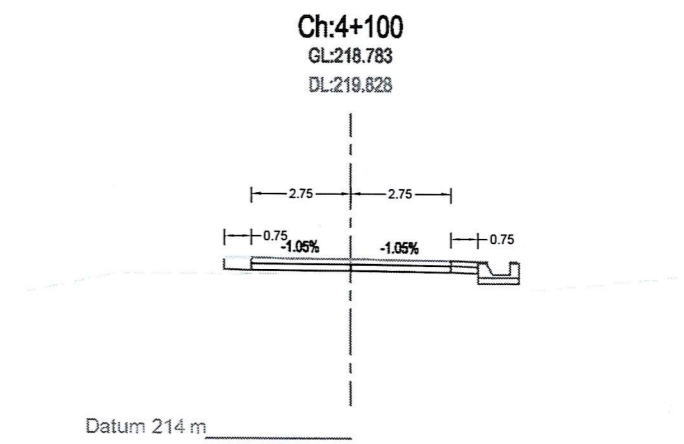
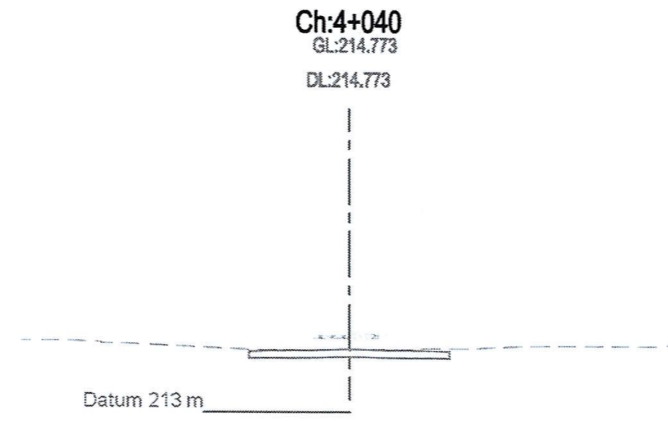
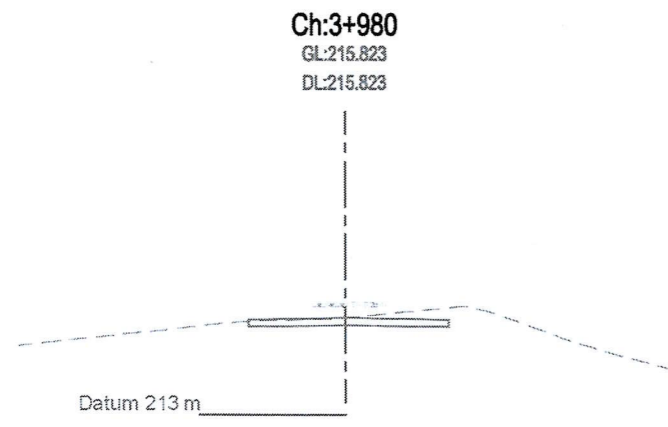
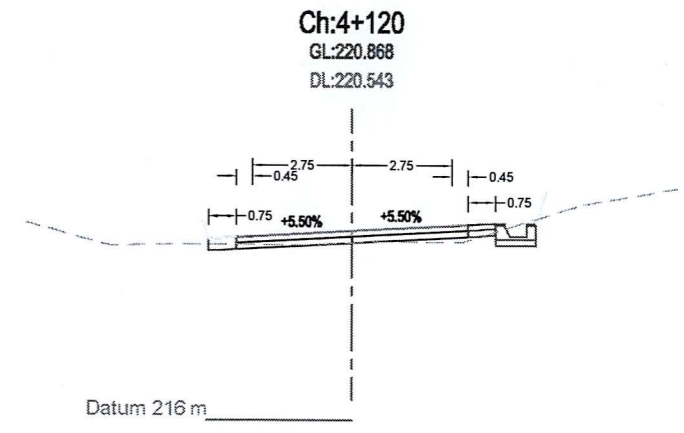
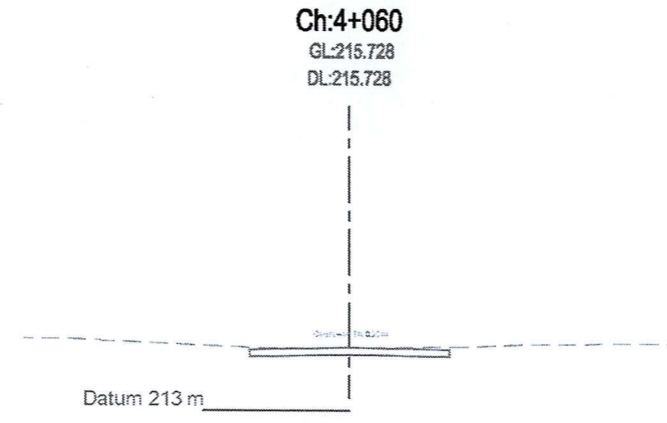
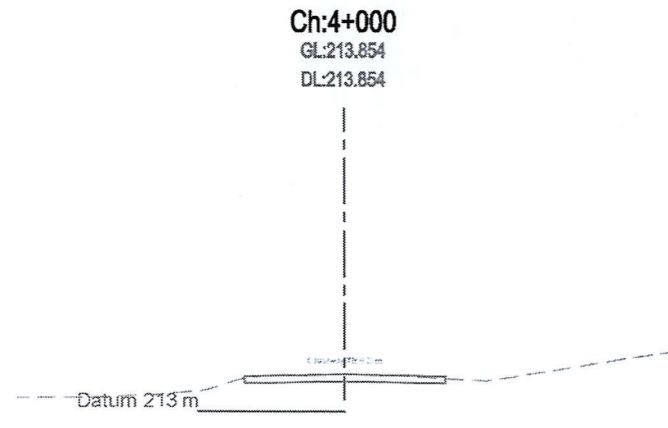
DATE: .
DRG NO : CS
SHEET NO : 20





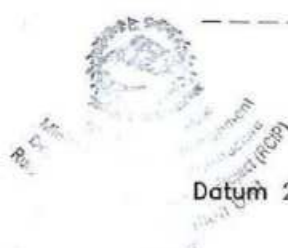
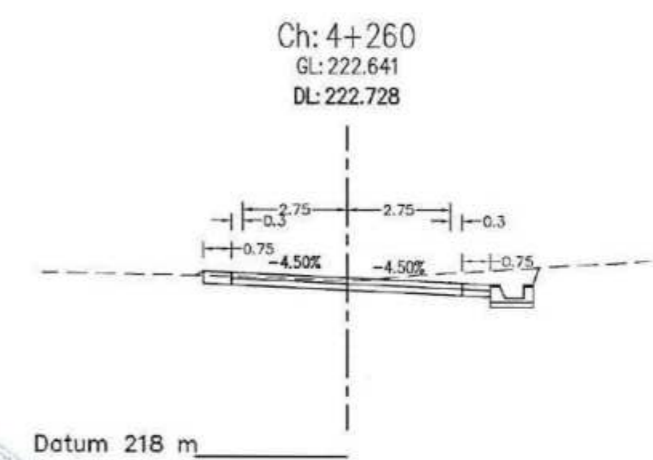
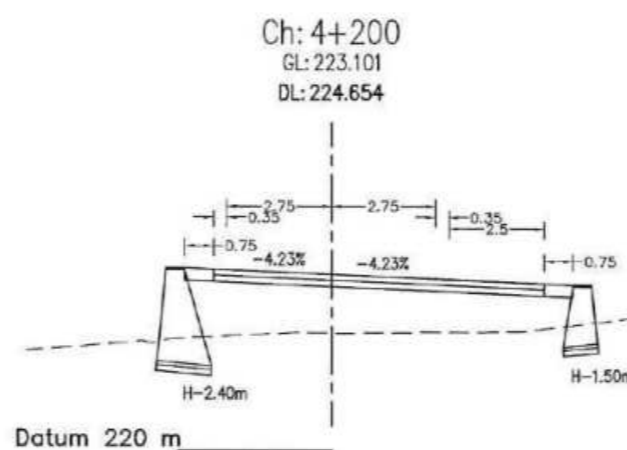
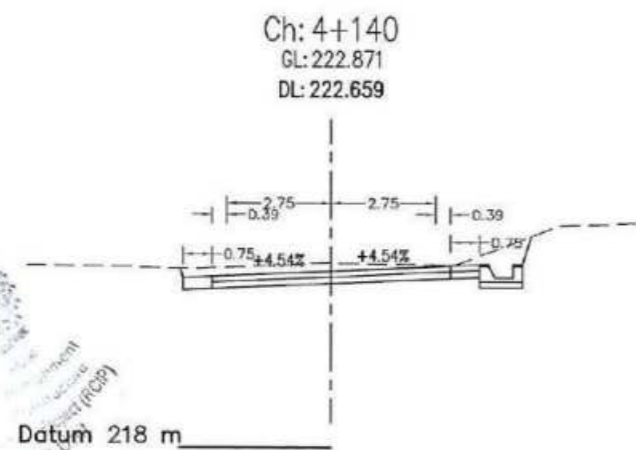
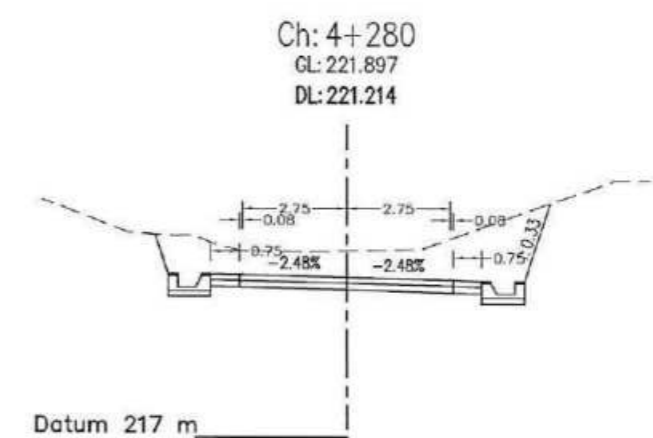
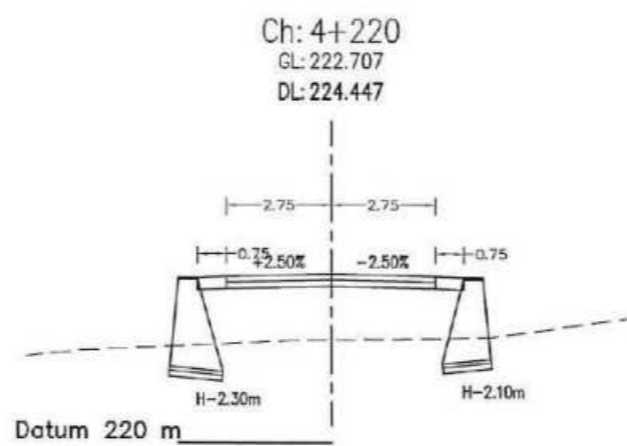
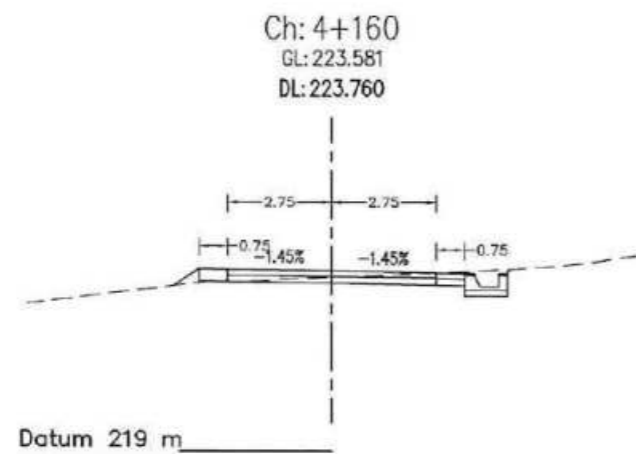
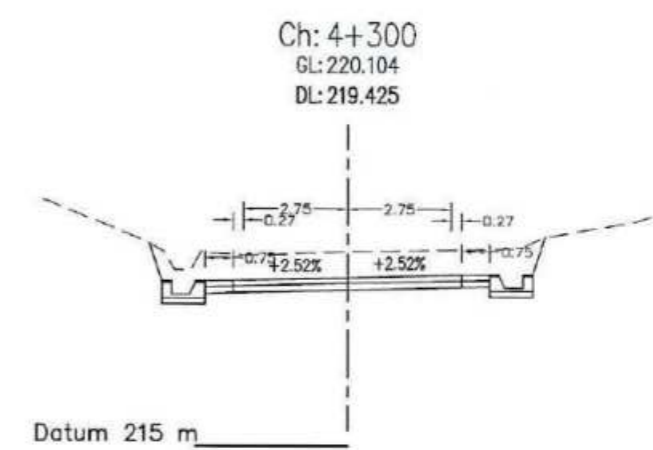
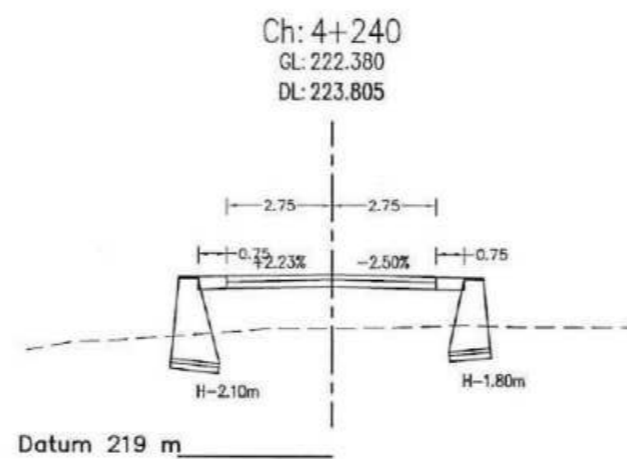
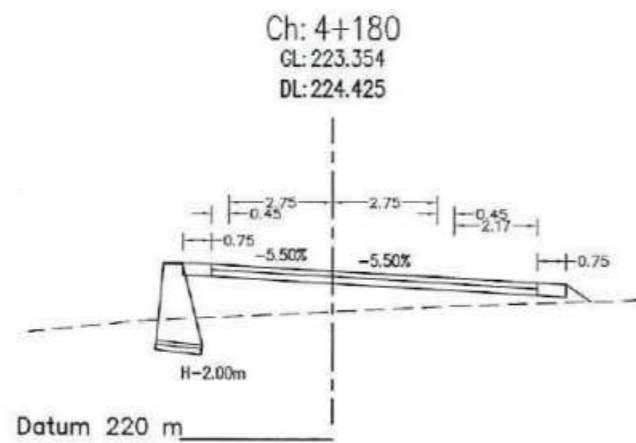
Handwritten signature

 <p>Government of Nepal Ministry of Federal Affairs and General Administration Department of Local Infrastructure (DoLI) Rural Connectivity Improvement Project (RCIP) Project Coordination Unit (PCU) Pulchowk, Lalitpur</p>	<p>Consultant: Joint Venture of AVIYAAN - SOILTEST - CARD 254 Ekata Marg, New Baneshwor, Kathmandu-34, Nepal Phone: 977-1-4104307 Email: info@aviyaan.com</p>	<p>Jagadi - Dhansari - Ganeshman Charnath Na. Pa. (Province No - 2 Connecting) Road, Sindhuli</p>	DATE	REVISION	SIGNATURE	DESIGNED BY :	<p>SCALE</p> 	<p>Cross-Section 3+780-3+940</p>	DATE:
						DRAWN BY :			DRG NO : CS
						CHECKED BY :			SHEET NO :
						APPROVED BY :			

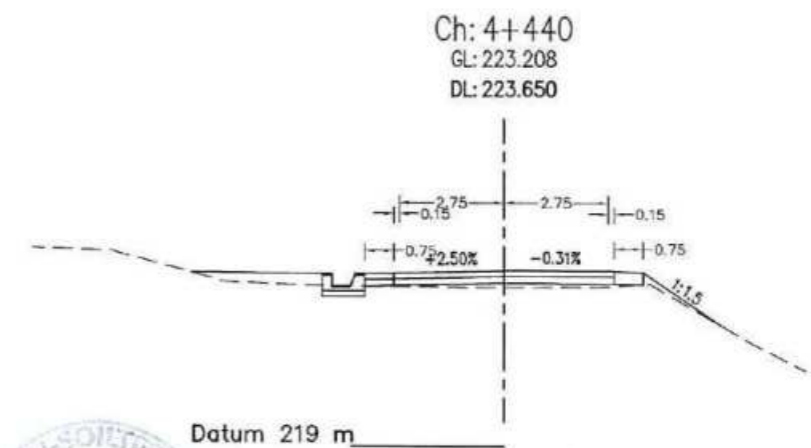
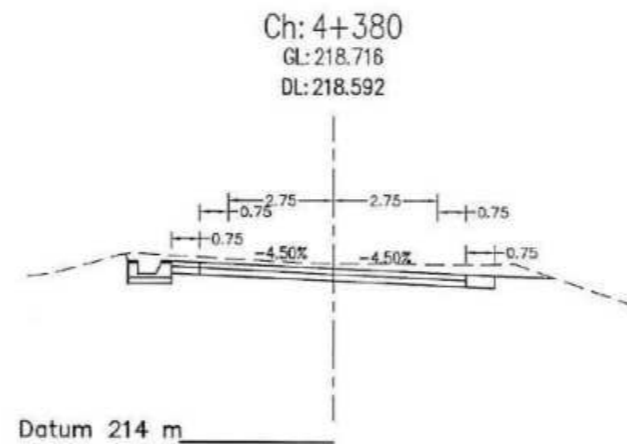
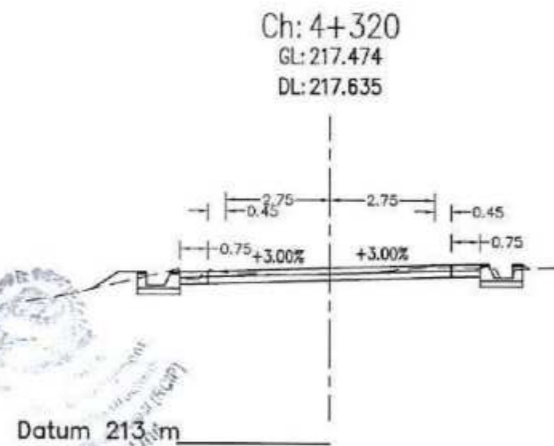
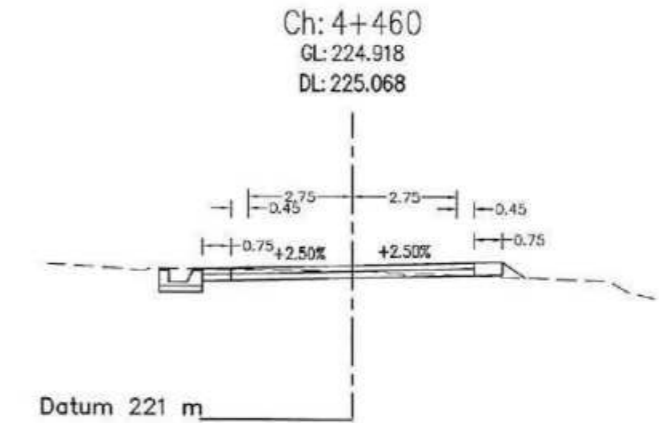
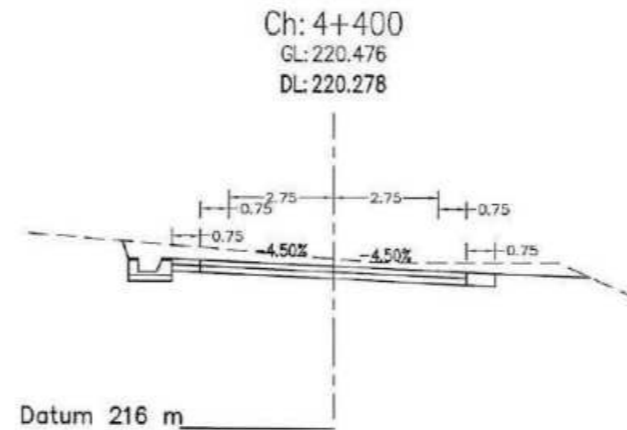
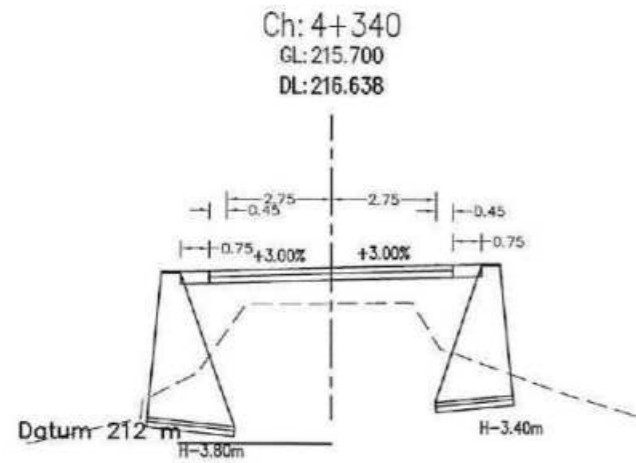
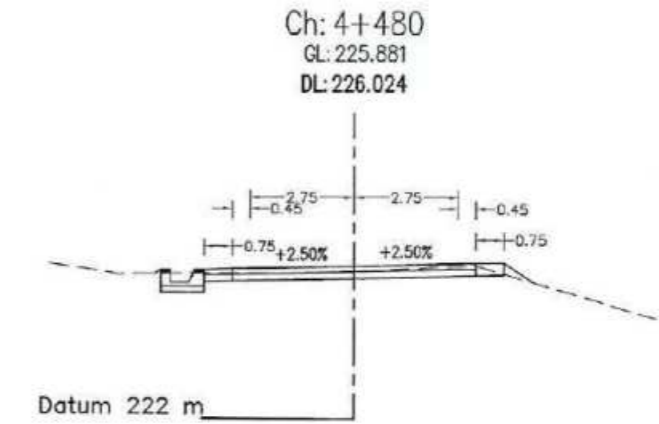
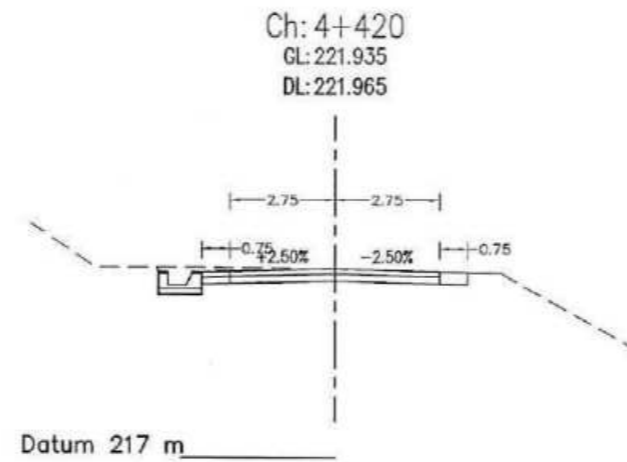
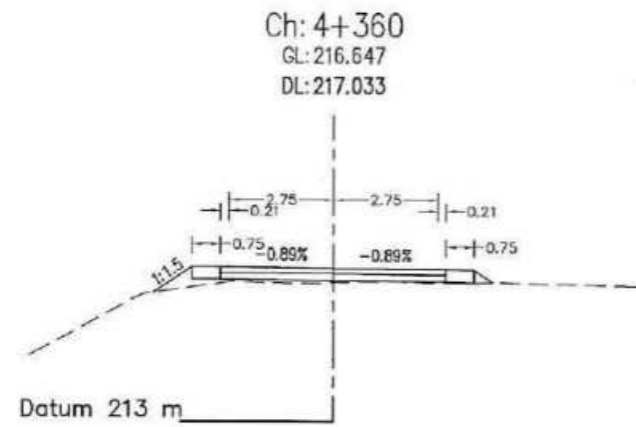


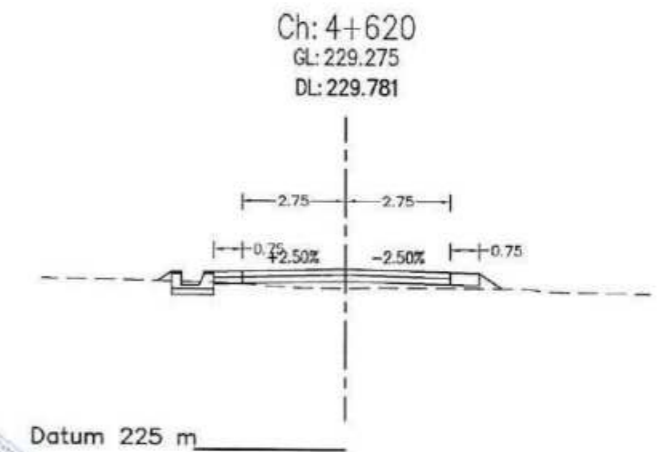
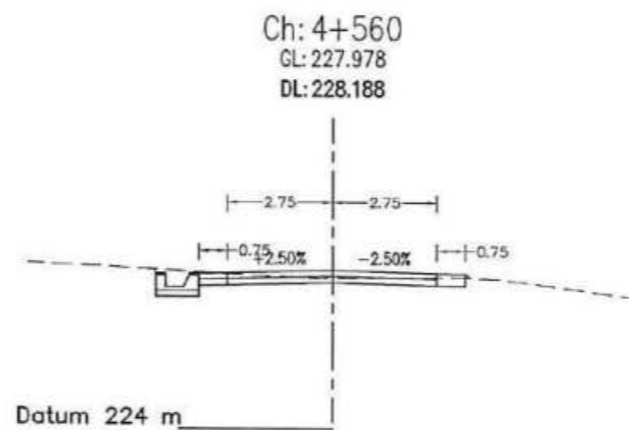
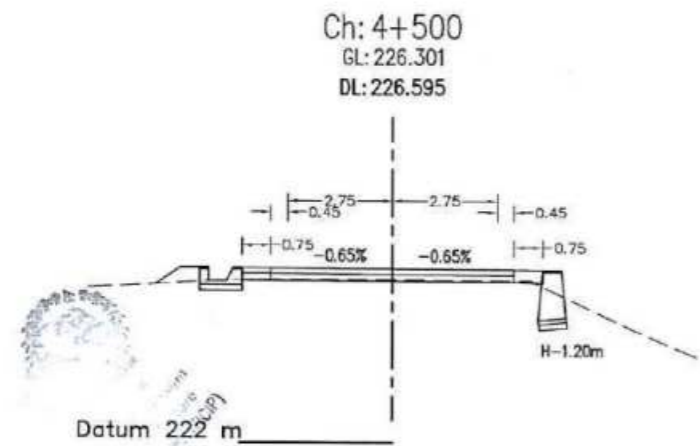
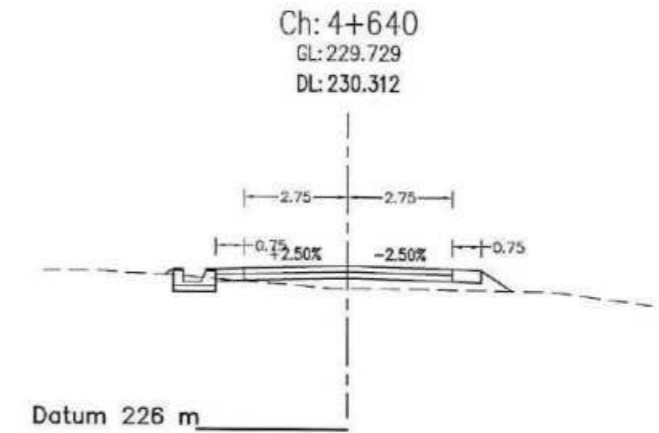
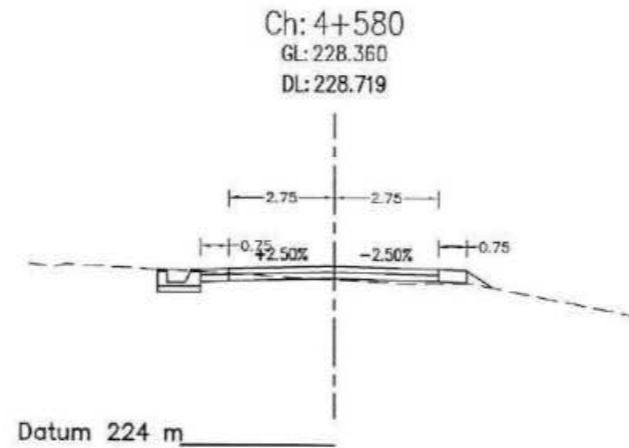
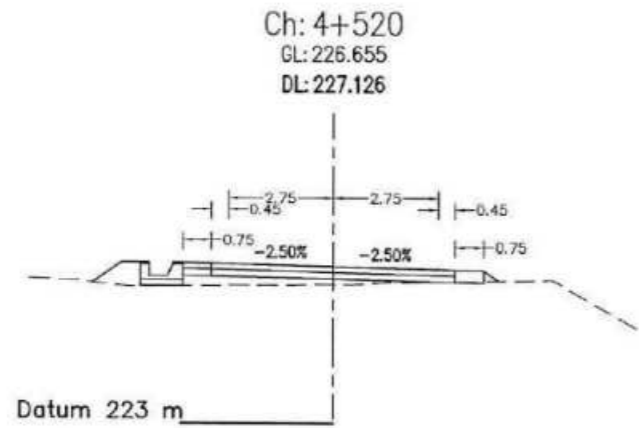
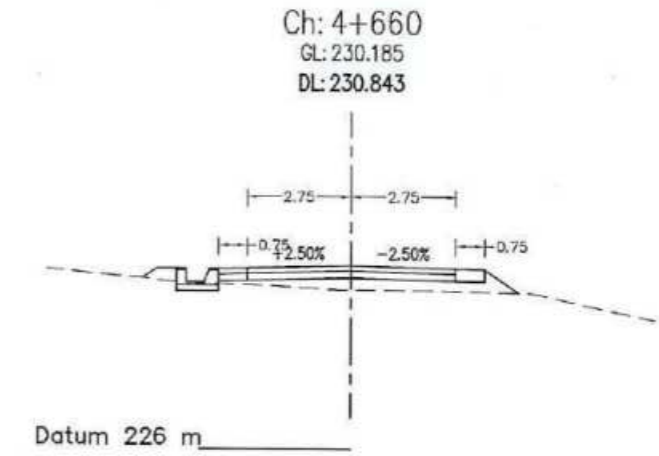
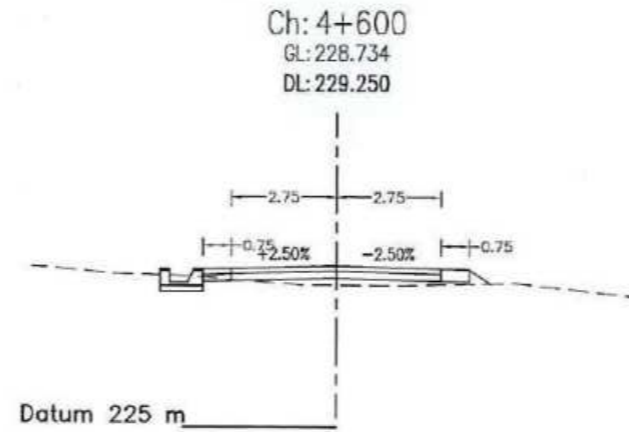
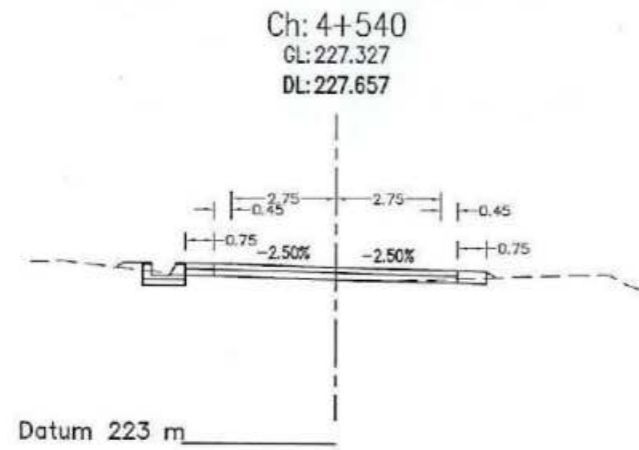
[Handwritten signature]

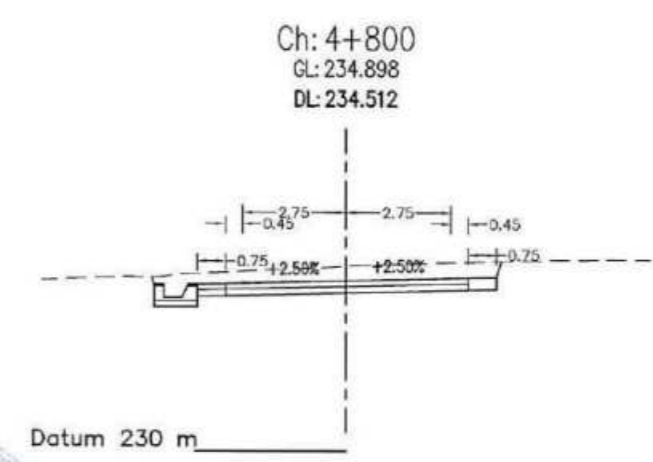
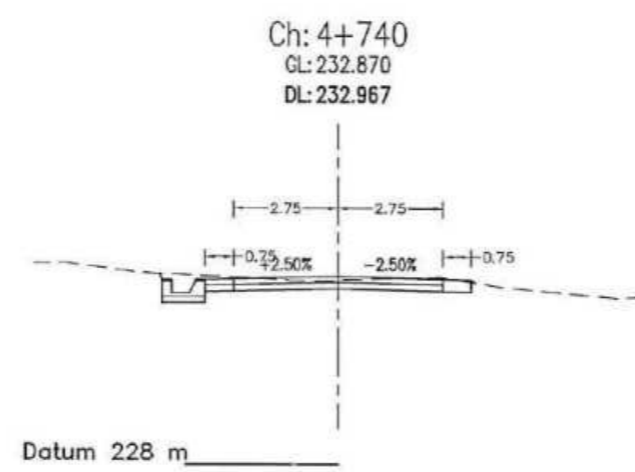
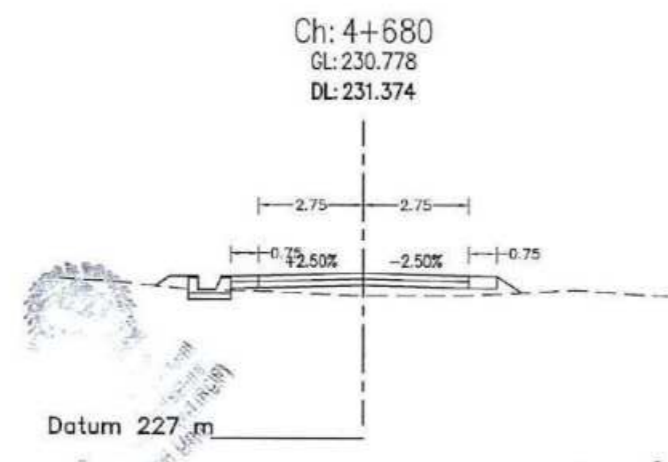
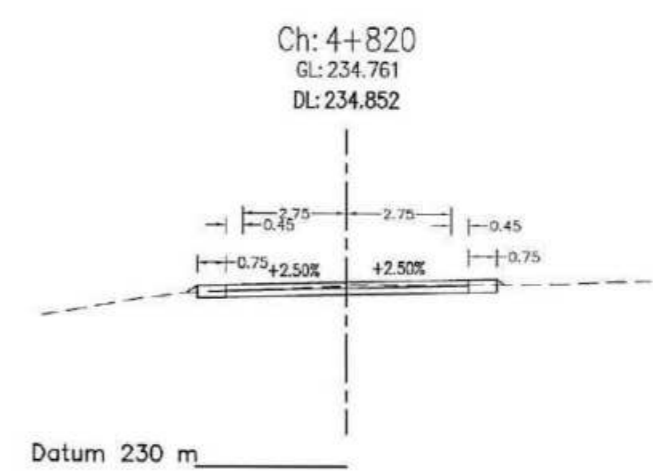
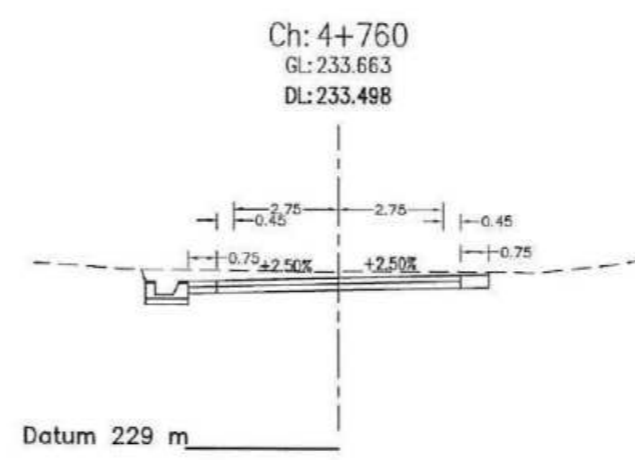
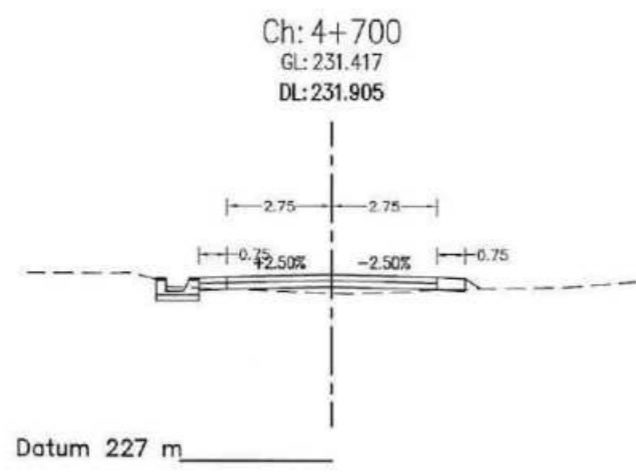
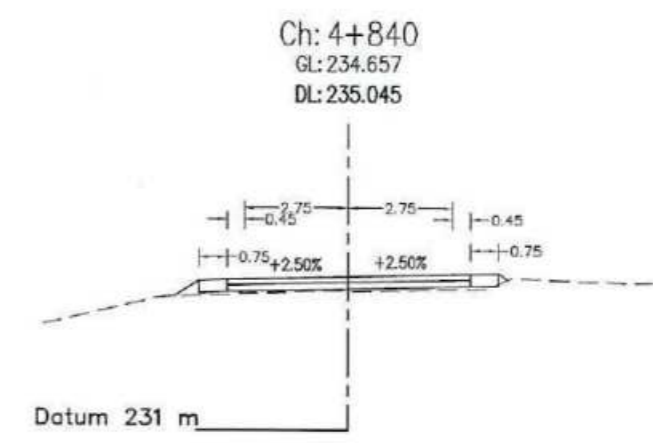
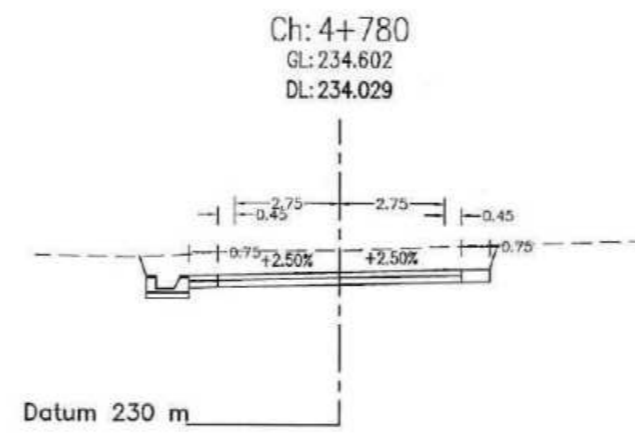
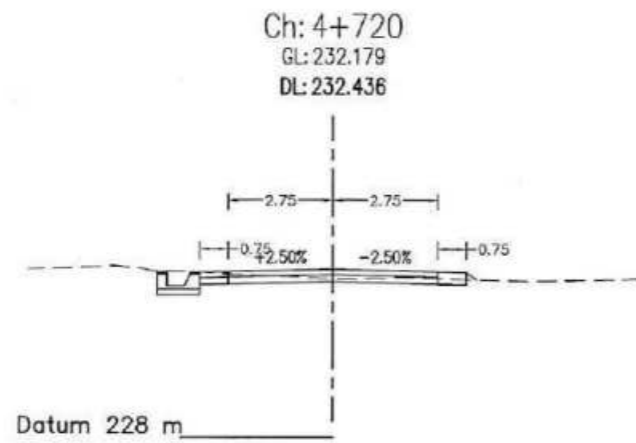
<p>Government of Nepal Ministry of Federal Affairs and General Administration Department of Local Infrastructure (DoLI) Rural Connectivity Improvement Project (RCIP) Project Coordination Unit (PCU) Pulchowk, Lalitpur</p>	<p>Consultant: Joint Venture of AVIYAAN - SOILTEST - CARD 254 Ekata Marg, New Baneshwor, Kathmandu-34, Nepal Phone: 977-1-4104307 Email: info@aviyaan.com</p>	<p>Jagadi - Dhansari - Ganeshman Charnath Na. Pa. (Province No - 2 Connecting) Road, Sindhuli</p>	DATE	REVISION	SIGNATURE	DESIGNED BY :	<p>SCALE</p>	<p>Cross-Section</p>	DATE:
						DRAWN BY :			DRG NO : CS
						CHECKED BY :			SHEET NO :
						APPROVED BY :			



Government of Nepal Ministry of Federal Affairs and General Administration Department of Local Infrastructure (DoLI) Rural Connectivity Improvement Project (RCIP) Project Coordination Unit (PCU) Pulchowk, Lalitpur	Consultant: Joint Venture of AVIYAAN - SOILTEST - CARD 254 Ekata Marg, New Baneshwor, Kathmandu-34, Nepal Phone: 977-1-4104307 Email: info@aviyaan.com	Jagadi - Dhansari - Ganeshman Charnath Na. Pa. (Province No - 2 Connecting) Road, Sindhuli	DATE	REVISION	SIGNATURE	DESIGNED BY : <i>[Signature]</i>	SCALE 1:200 	Cross-Section 4+140-4+300	DATE:
						DRAWN BY : <i>[Signature]</i>			DRG NO : CS
					CHECKED BY : <i>[Signature]</i>			SHEET NO :	24
					APPROVED BY :				





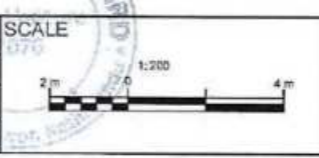


Government of Nepal
Ministry of Federal Affairs and General Administration
Department of Local Infrastructure (DoLI)
Rural Connectivity Improvement Project (RCIP)
Project Coordination Unit (PCU)
Pulchowk, Lalitpur

Consultant:
Joint Venture of
AVIYAAN - SOILTEST - CARD
254 Ekata Marg, New Baneshwor,
Kathmandu-34, Nepal
Phone: 977-1-4104307
Email: info@aviyaan.com

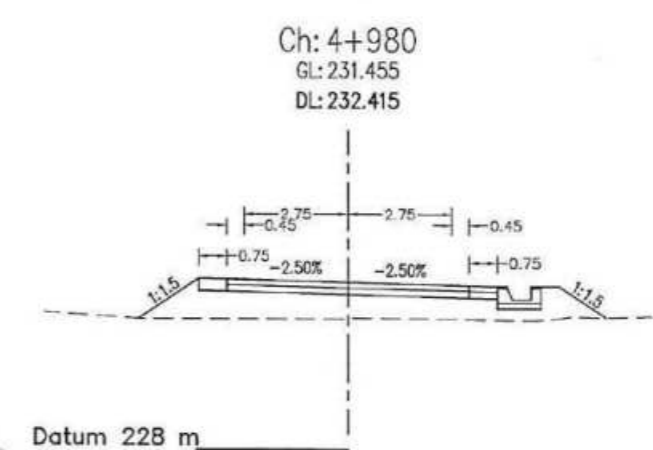
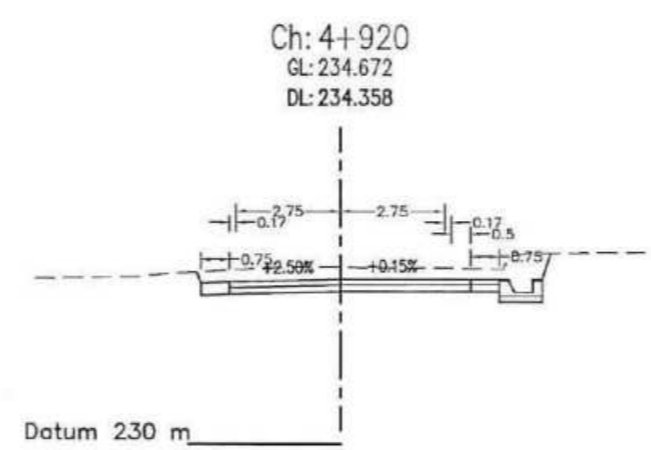
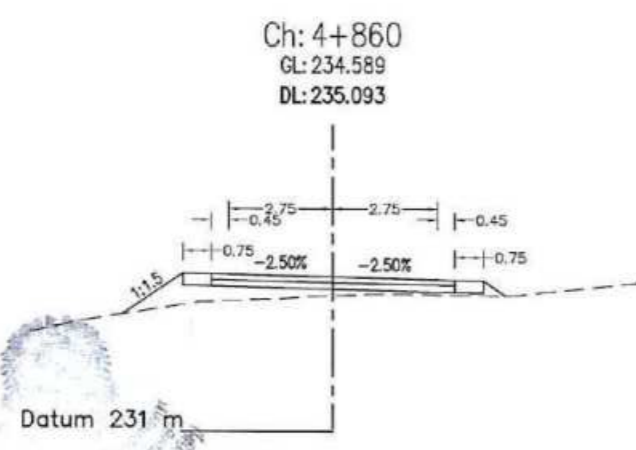
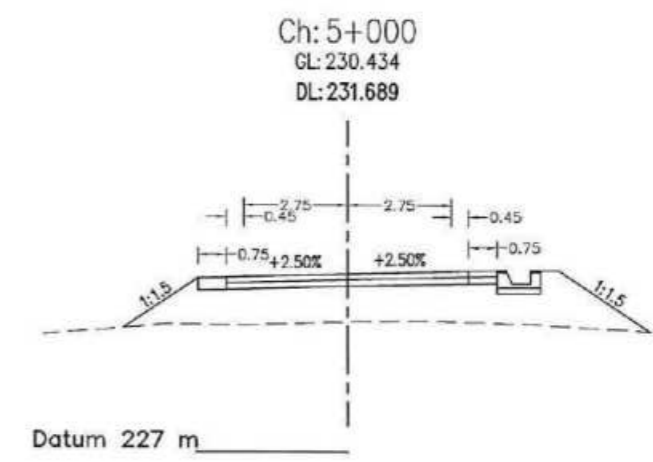
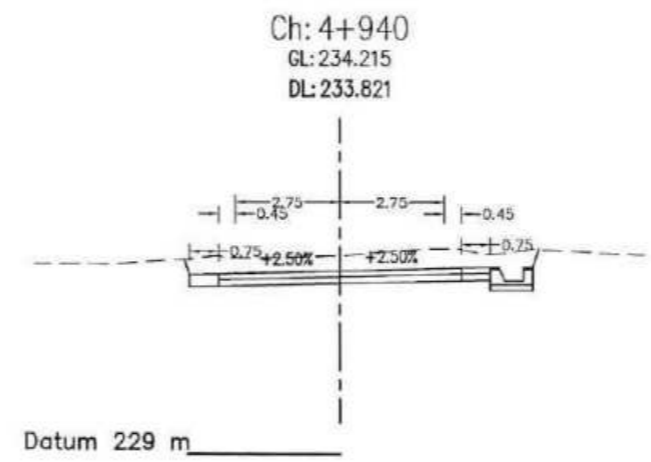
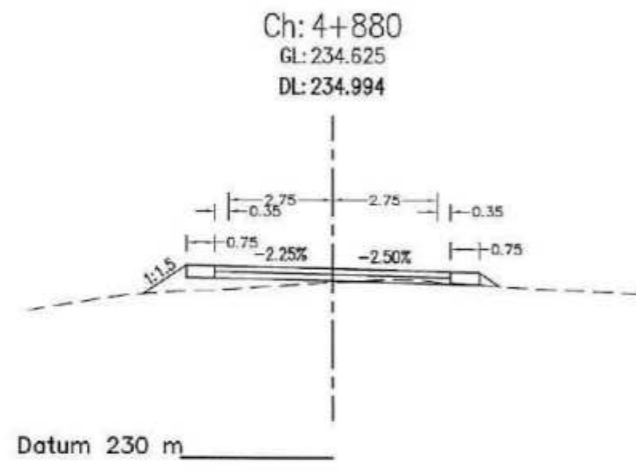
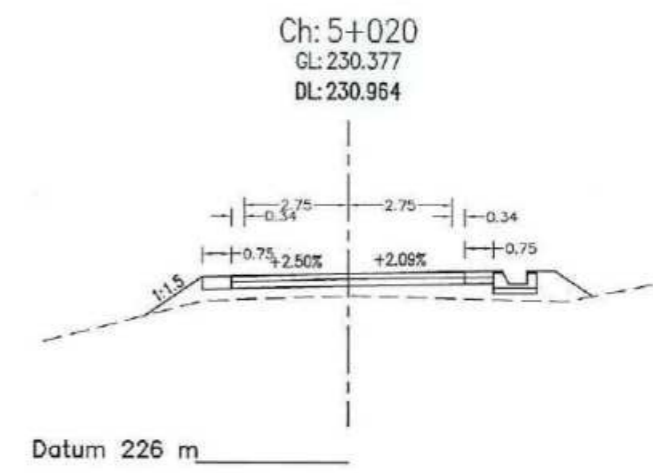
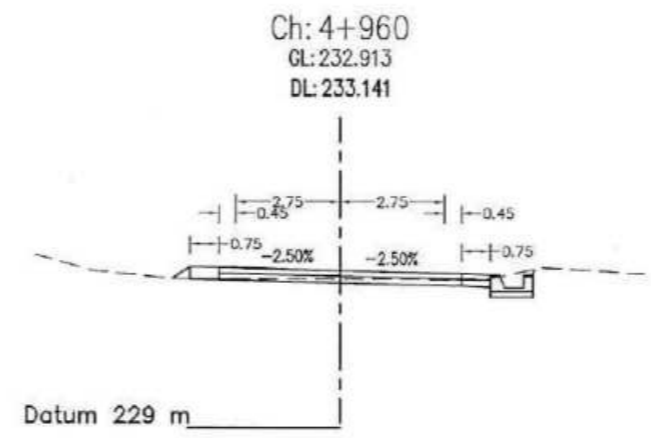
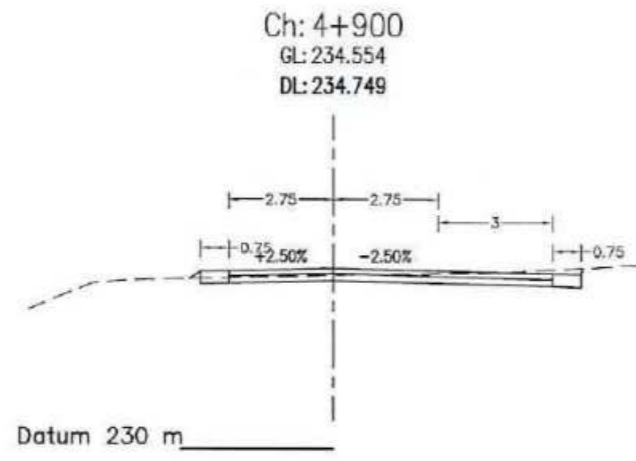
Jagadi - Dhansari -
Ganeshman Charnath Na. Pa.
(Province No - 2 Connecting)
Road, Sindhuli

DATE	REVISION	SIGNATURE	DESIGNED BY :	DRAWN BY :	CHECKED BY :	APPROVED BY :



Cross-Section
4+680-4+840

DATE:
DRG NO : CS
SHEET NO : 27

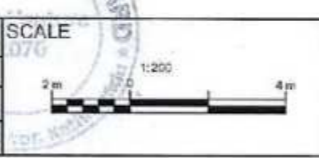


Government of Nepal
Ministry of Federal Affairs and General Administration
Department of Local Infrastructure (DoLI)
Rural Connectivity Improvement Project (RCIP)
Project Coordination Unit (PCU)
Pulchowk, Lalitpur

Consultant:
Joint Venture of
AVIYAAN - SOILTEST - CARD
254 Ekata Marg, New Baneshwor,
Kathmandu-34, Nepal
Phone: 977-1-4104307
Email: info@aviyaan.com

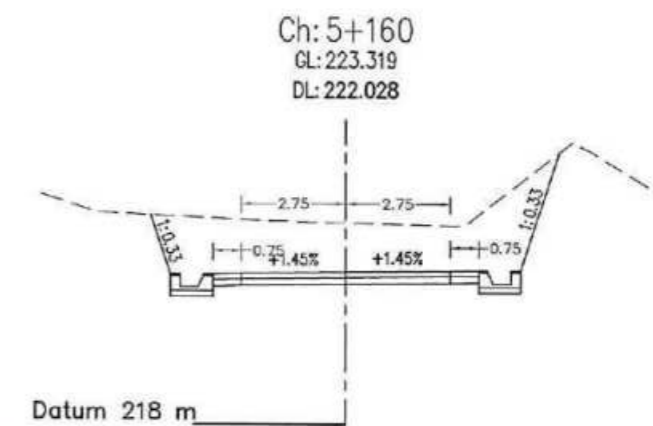
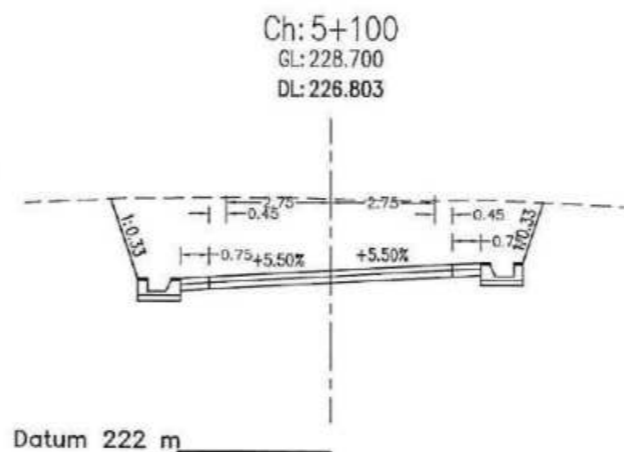
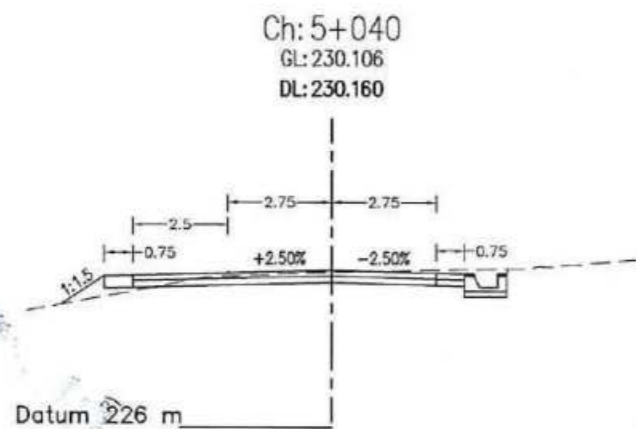
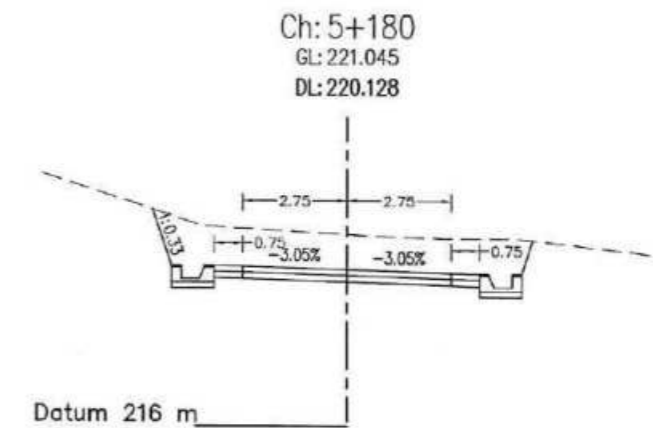
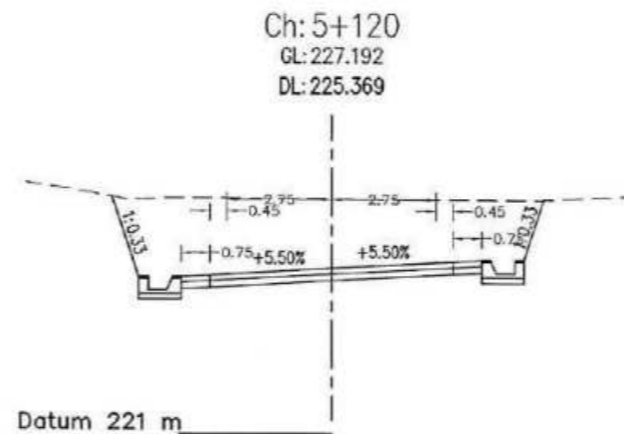
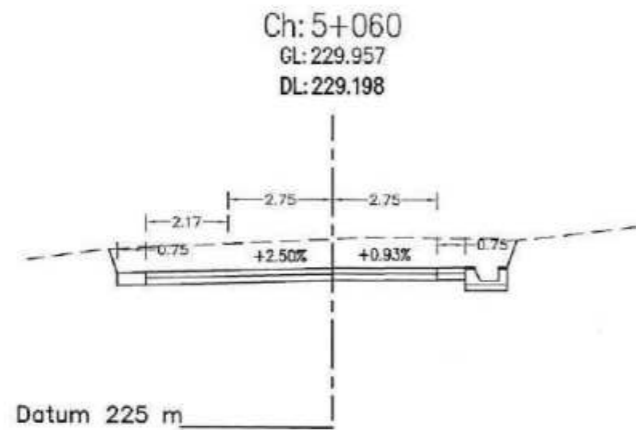
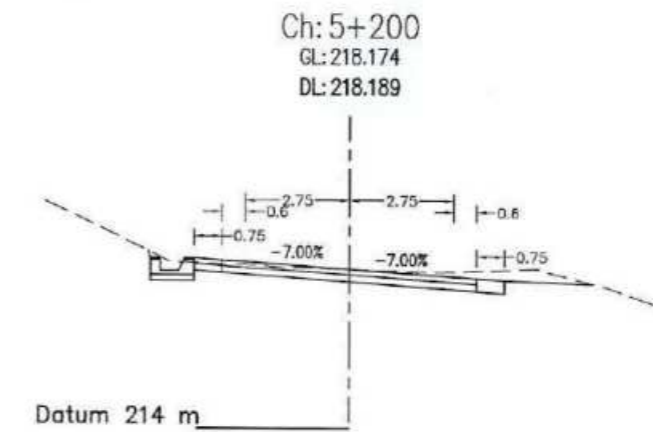
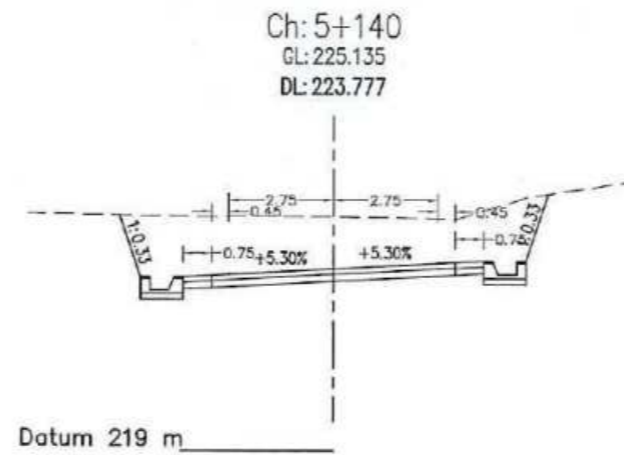
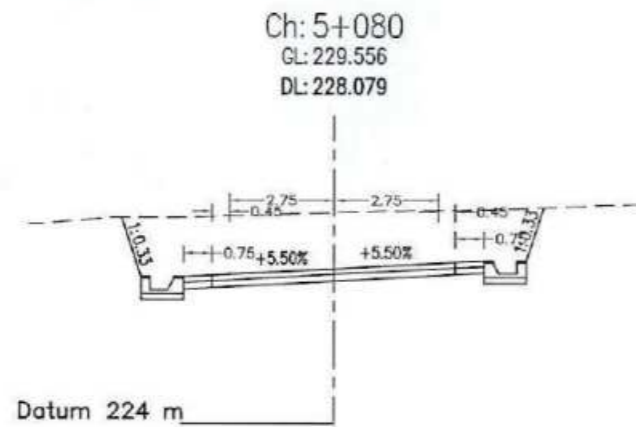
Jagadi - Dhansari -
Ganeshman Charnath Na. Pa.
(Province No - 2 Connecting)
Road, Sindhuli

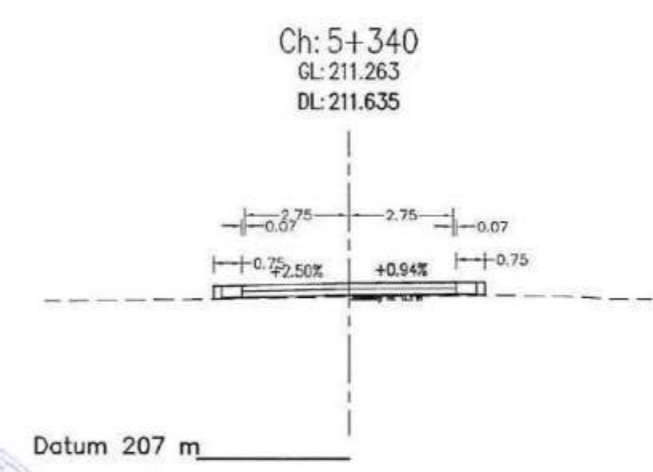
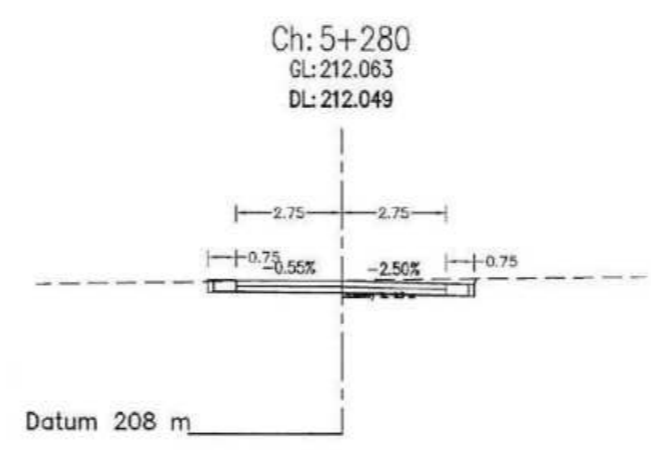
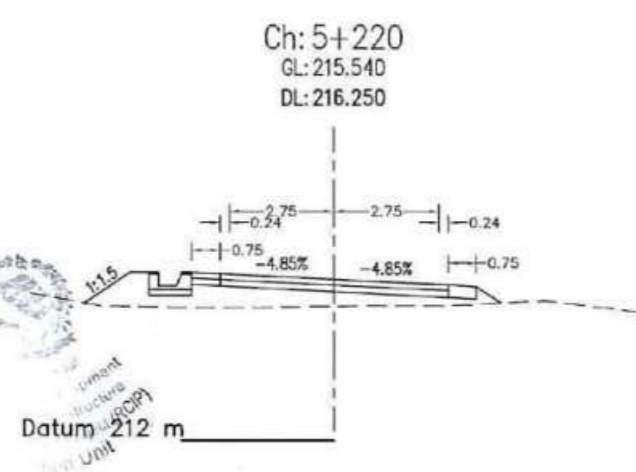
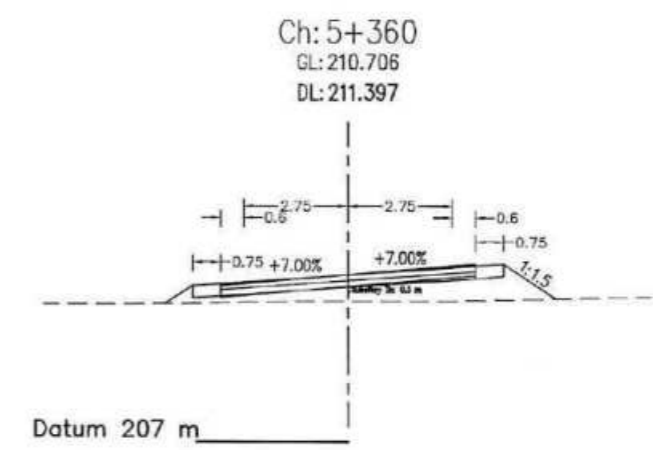
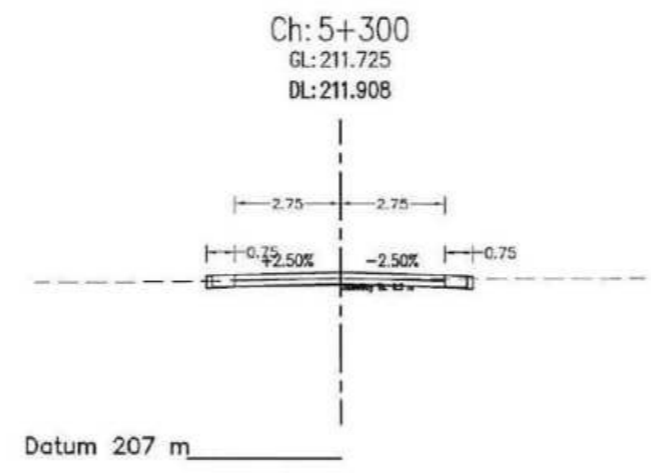
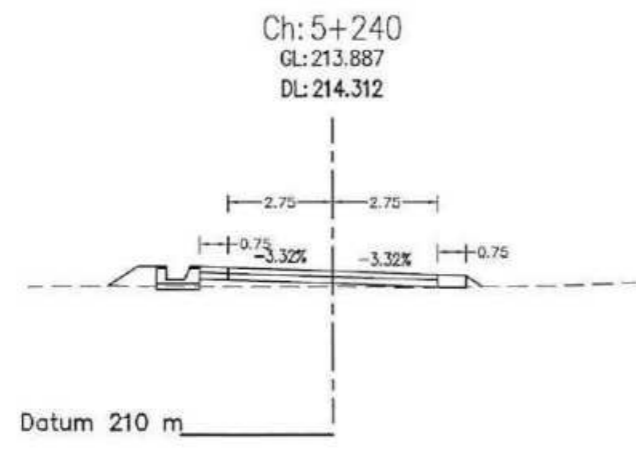
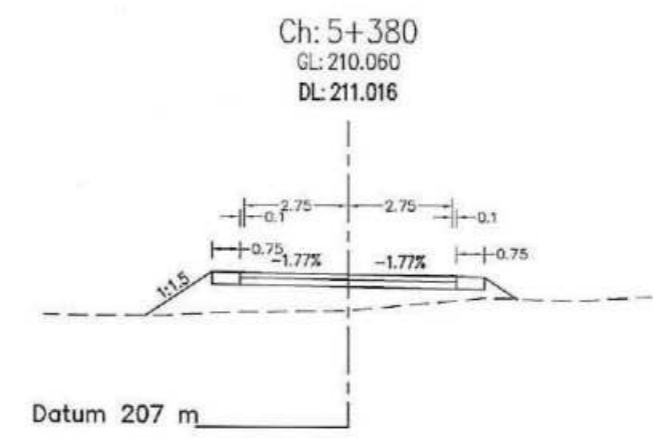
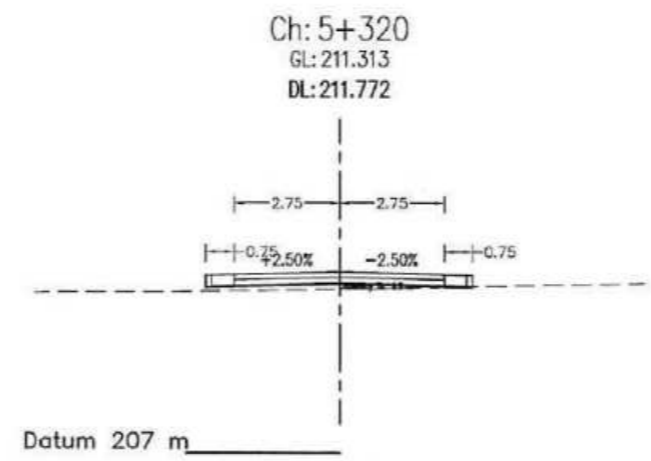
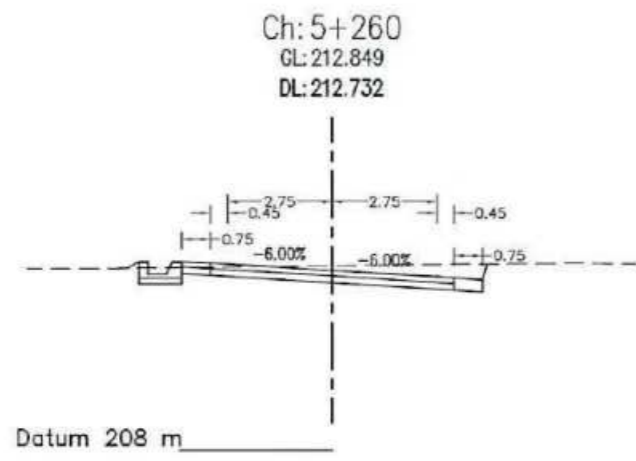
DATE	REVISION	SIGNATURE	DESIGNED BY :	DRAWN BY :	CHECKED BY :	APPROVED BY :



Cross-Section
4+860-5+020

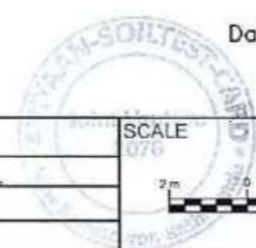
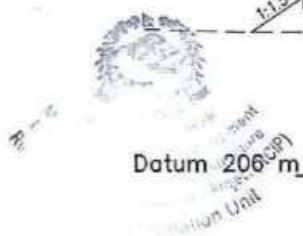
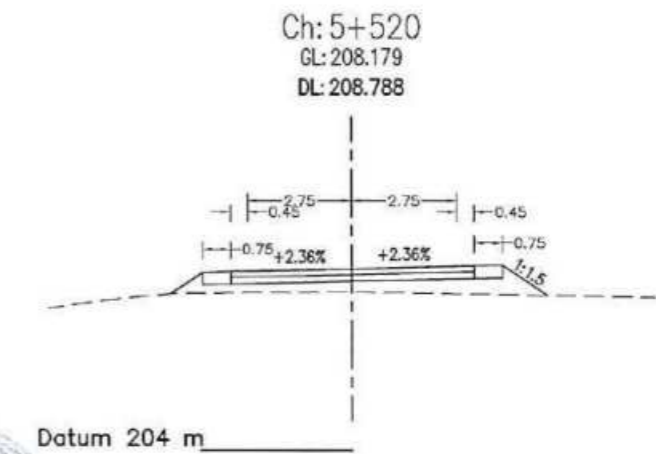
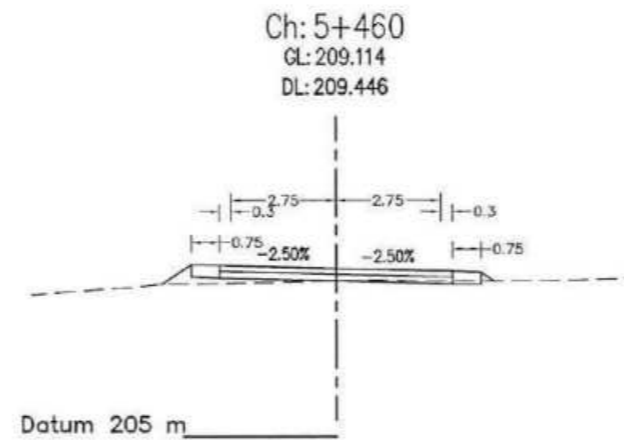
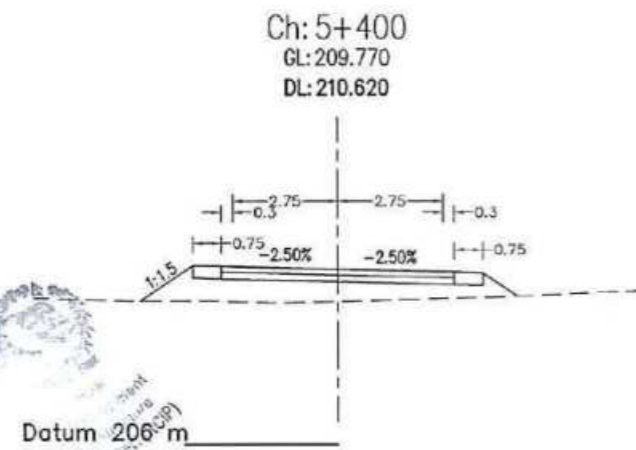
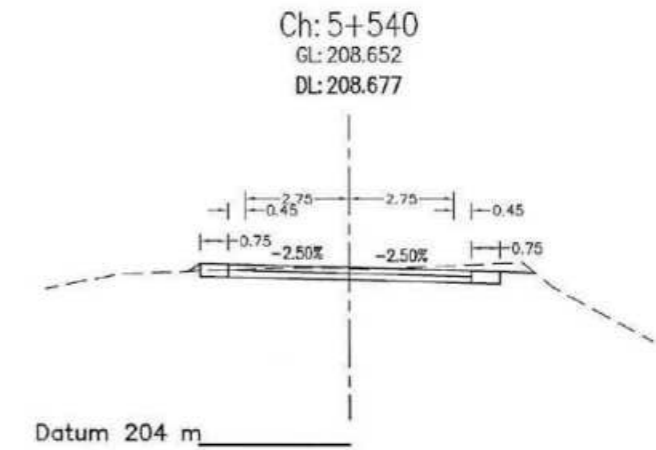
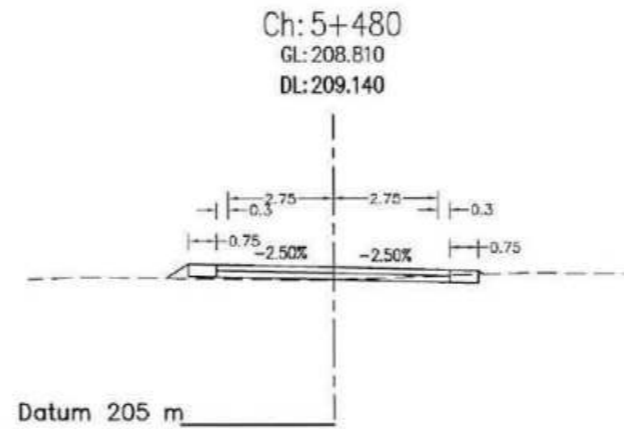
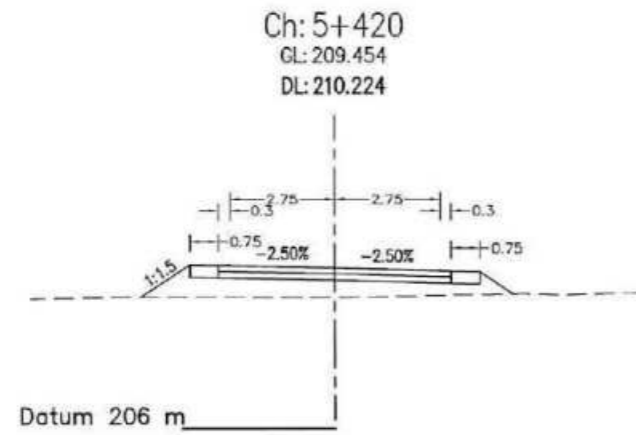
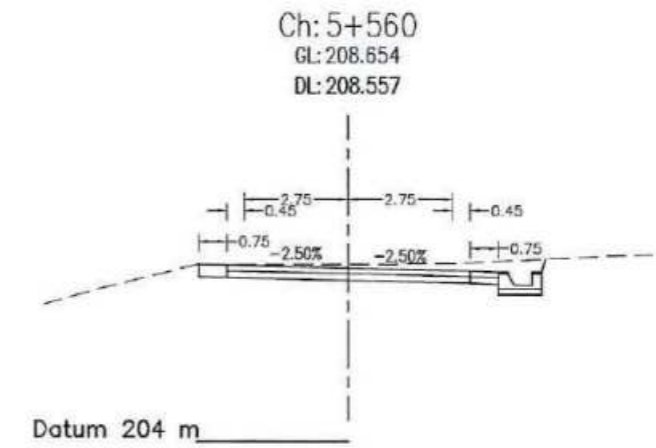
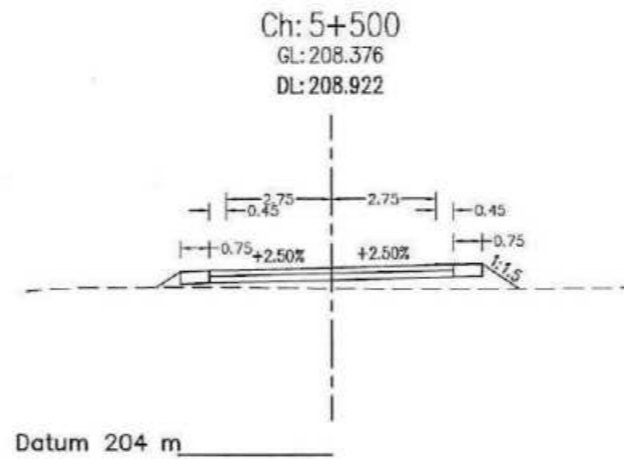
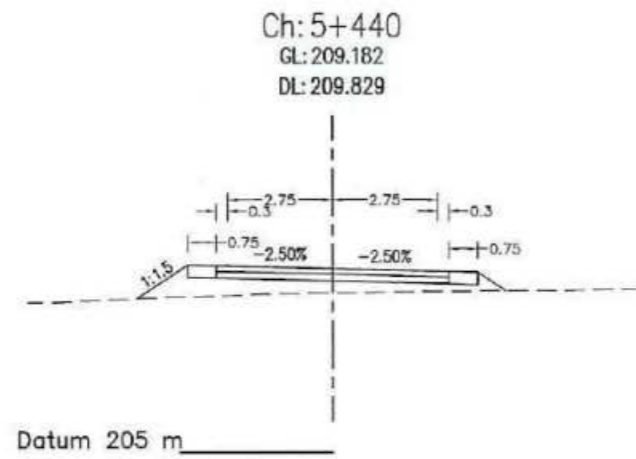
DATE:
DRG NO : CS
SHEET NO : 28



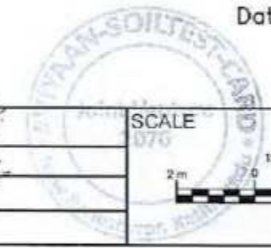
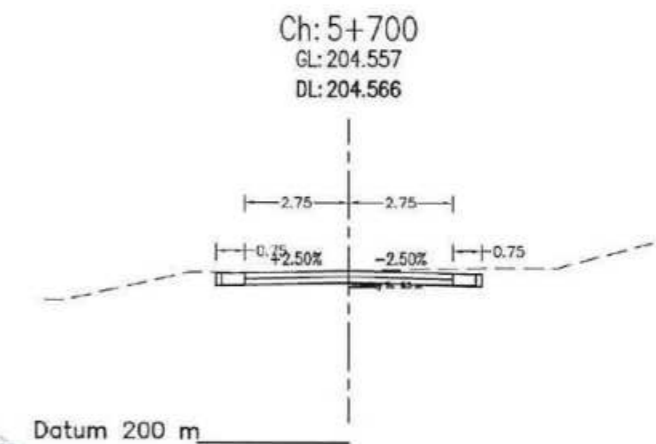
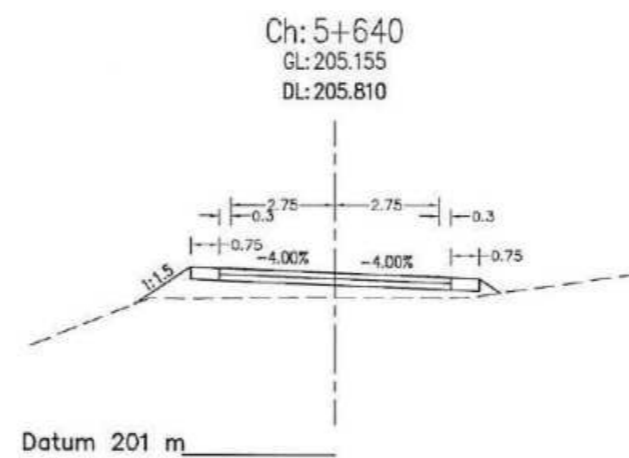
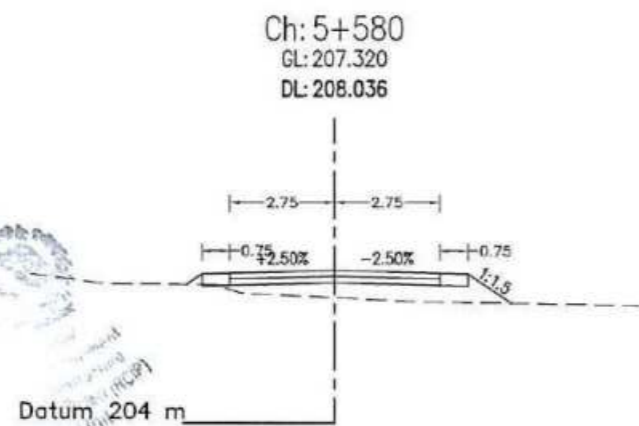
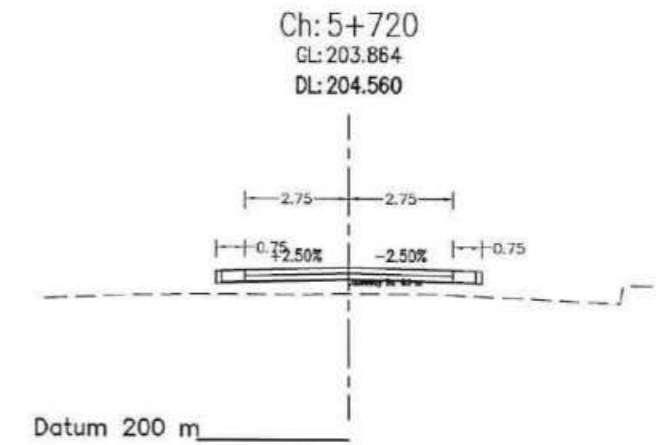
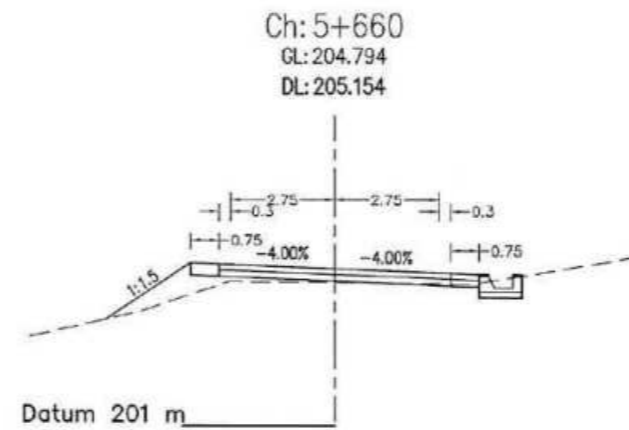
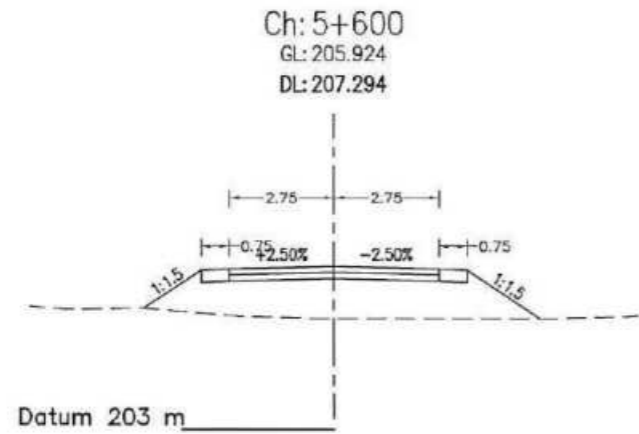
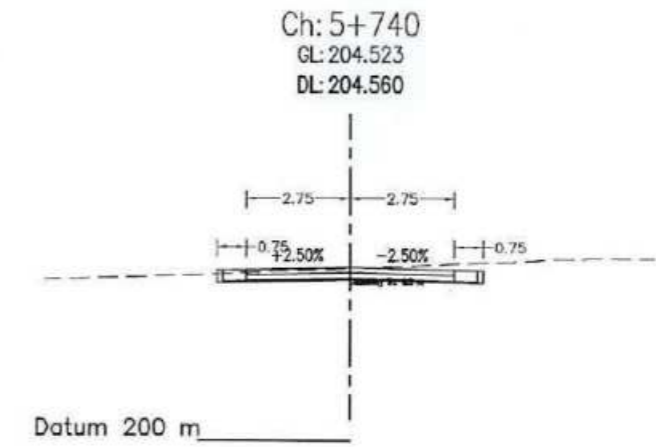
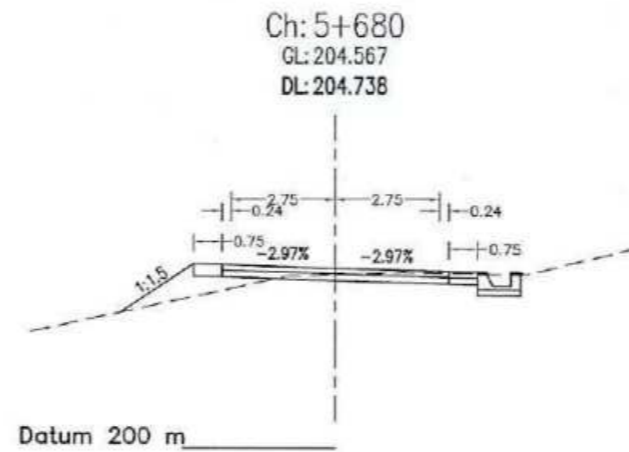
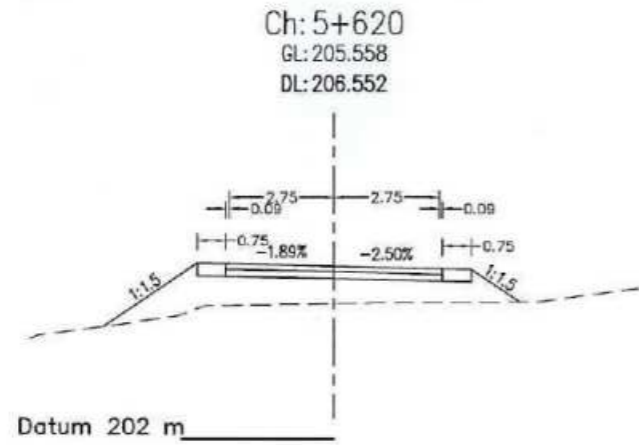


Project Coordination Unit
Pulchowk, Lalitpur

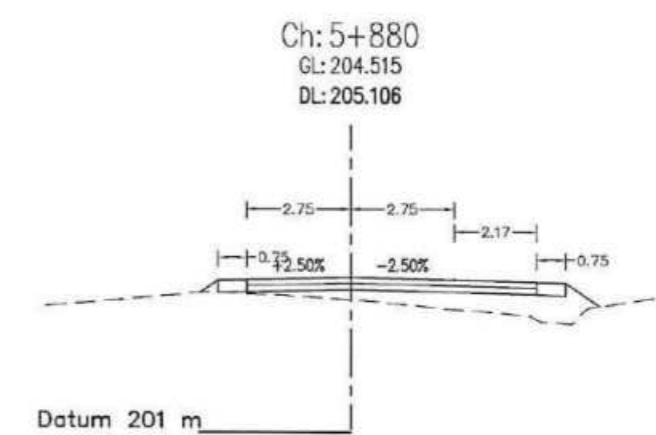
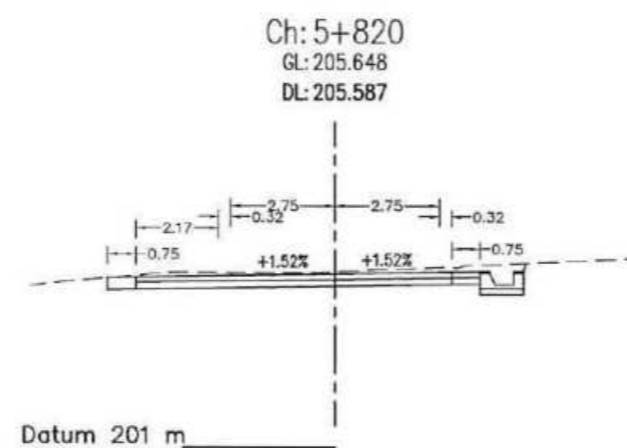
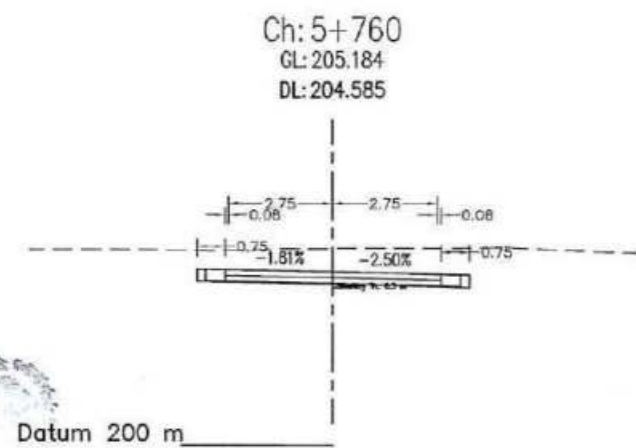
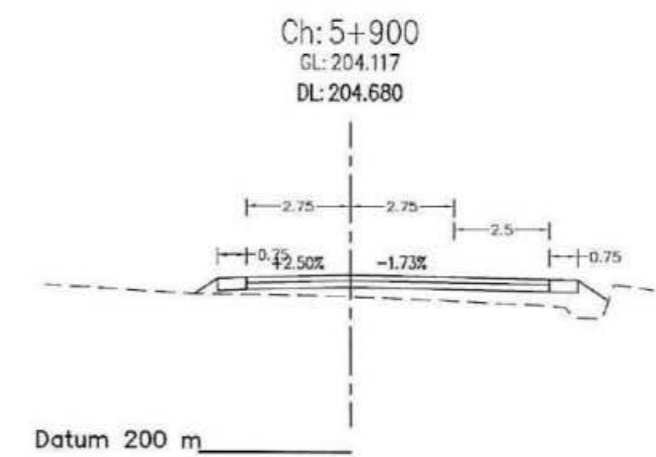
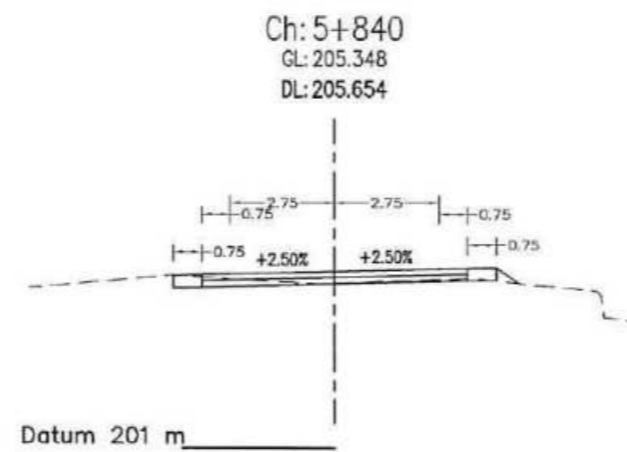
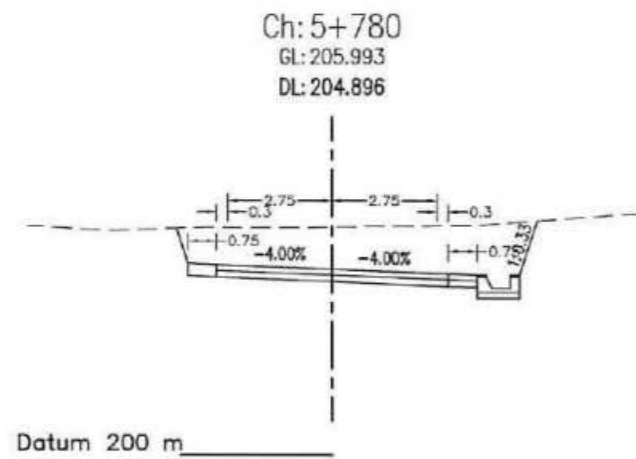
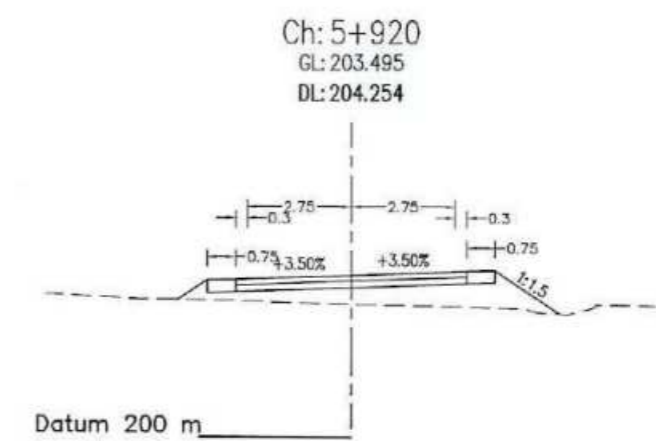
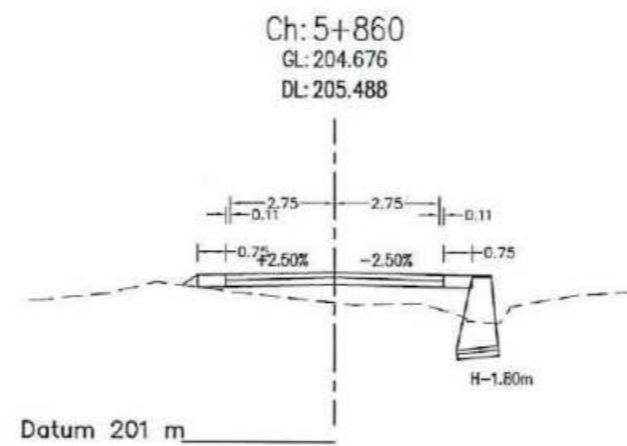
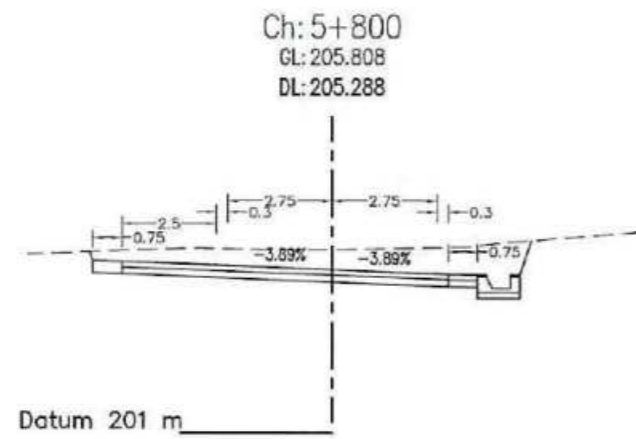
<p>Government of Nepal Ministry of Federal Affairs and General Administration Department of Local Infrastructure (DoLI) Rural Connectivity Improvement Project (RCIP) Project Coordination Unit (PCU) Pulchowk, Lalitpur</p>	<p>Consultant: Joint Venture of AVIYAAN - SOILTEST - CARD 254 Ekata Marg, New Baneshwor, Kathmandu-34, Nepal Phone: 977-1-4104307 Email: info@aviyaan.com</p>	<p>Jagadi - Dhansari - Ganeshman Chamath Na. Pa. (Province No - 2 Connecting) Road, Sindhuli</p>	DATE	REVISION	SIGNATURE	DESIGNED BY :	<p>SCALE 1:200 </p>	<p>Cross-Section 5+220-5+380</p>	DATE:
						DRAWN BY :			DRG NO : CS
						CHECKED BY :			SHEET NO :
						APPROVED BY :			30

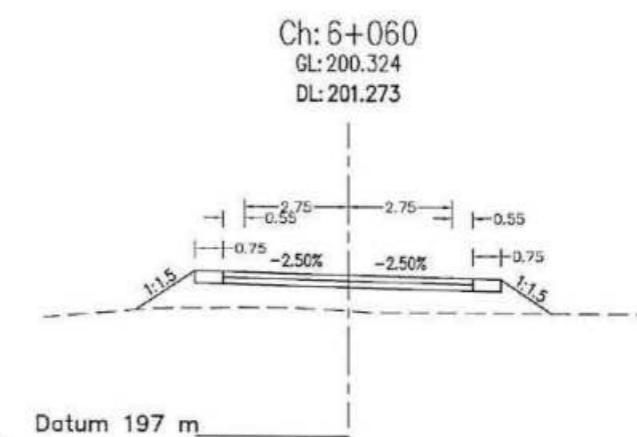
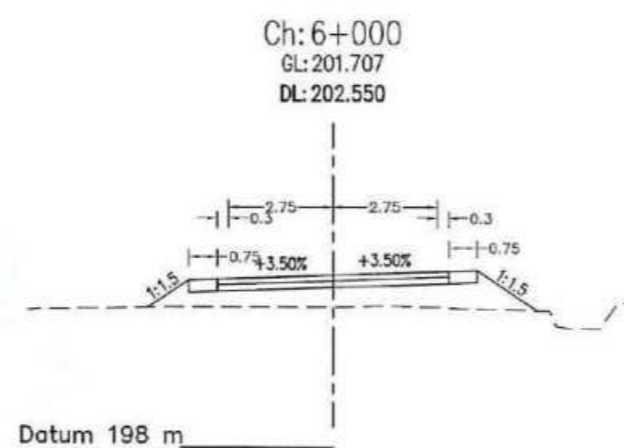
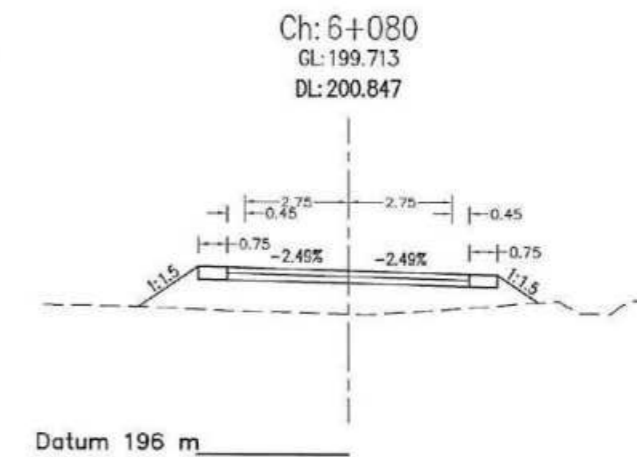
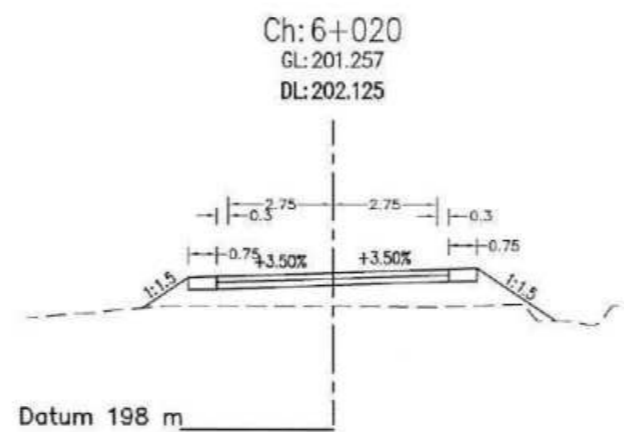
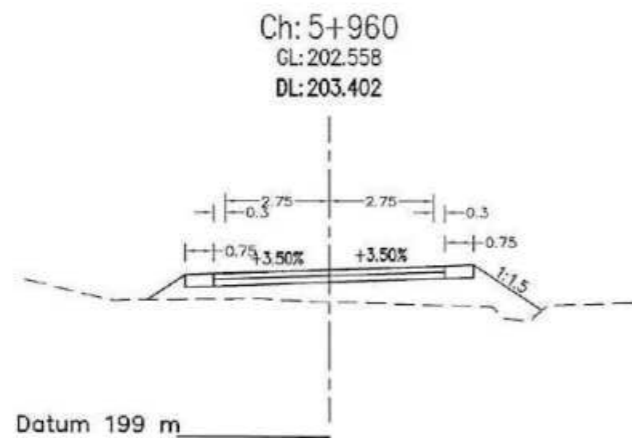
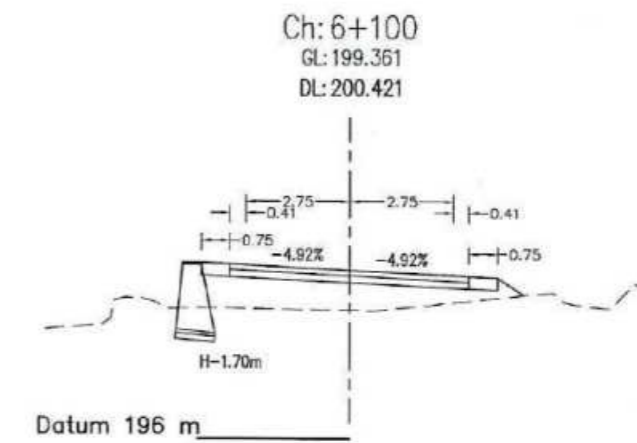
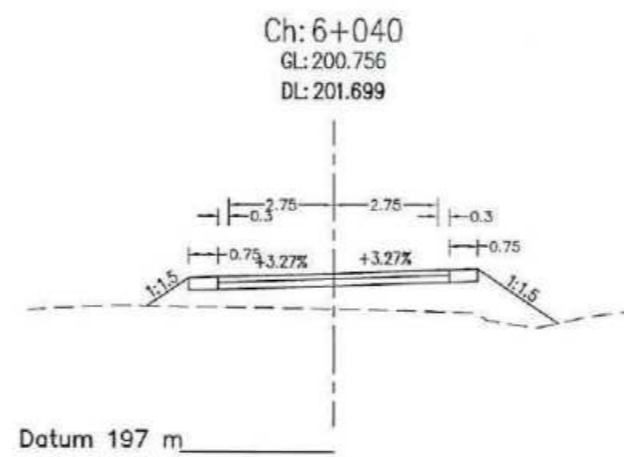
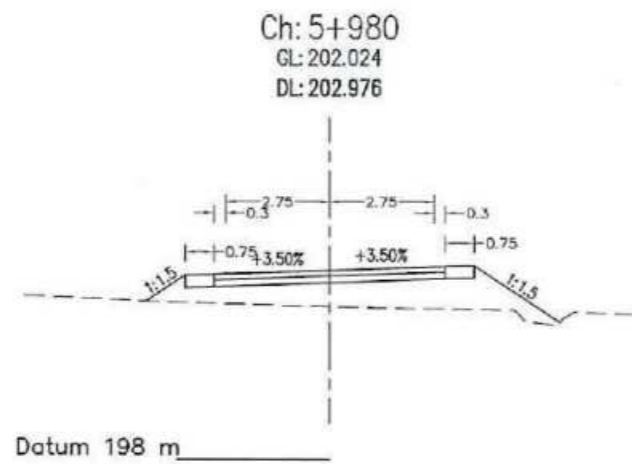


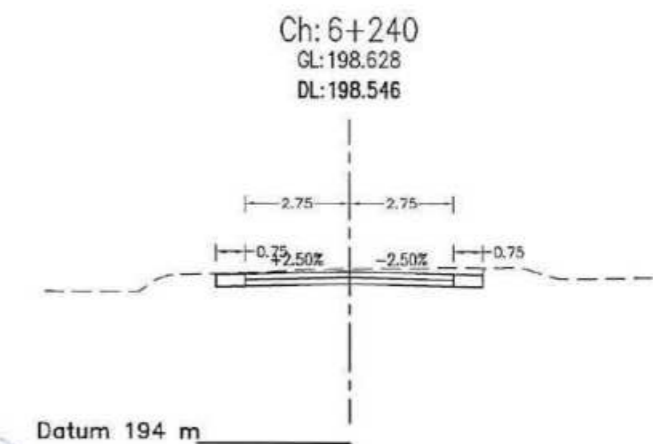
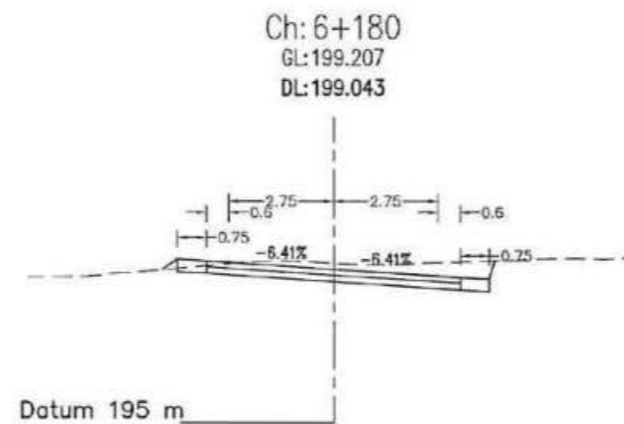
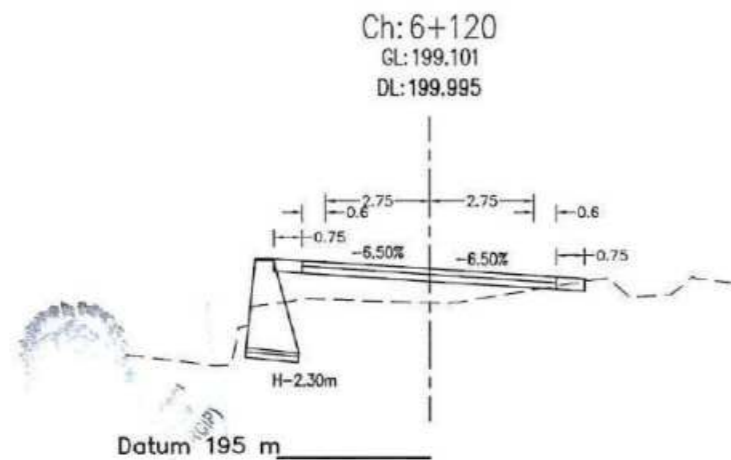
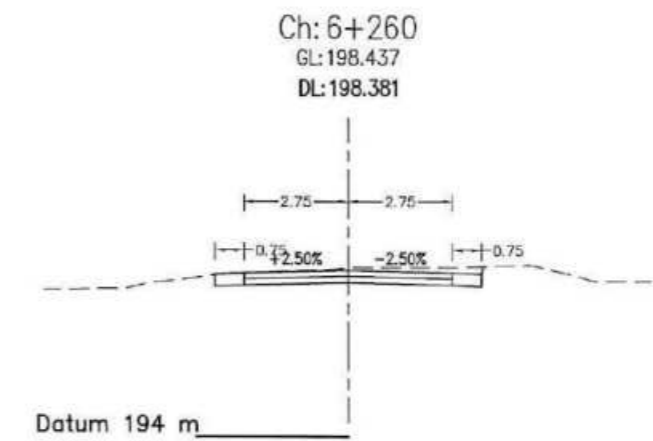
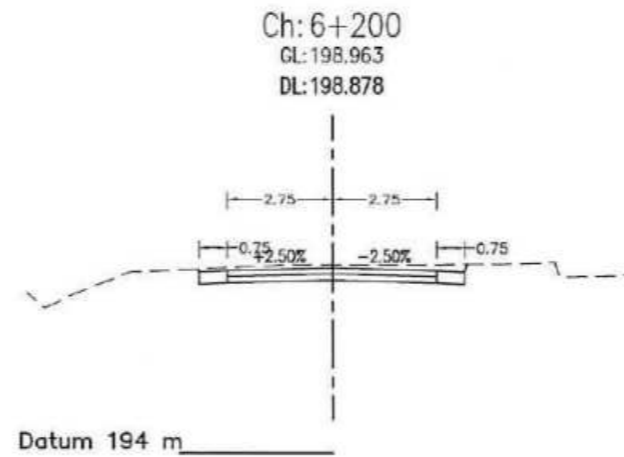
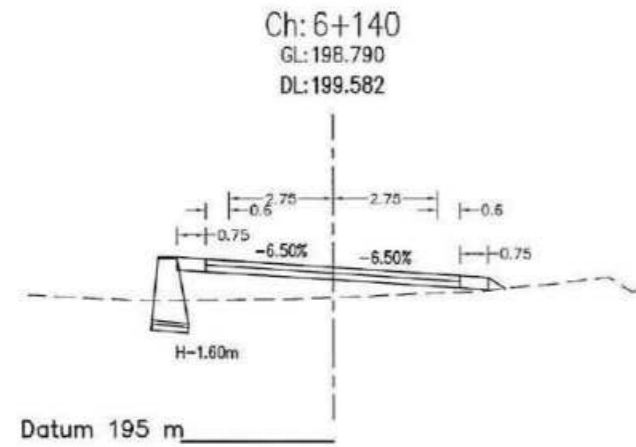
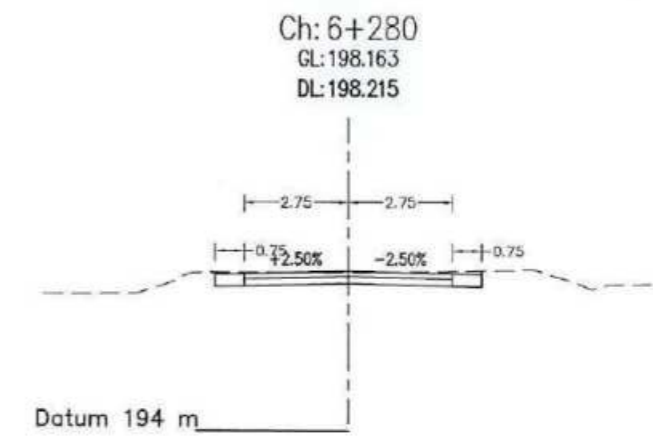
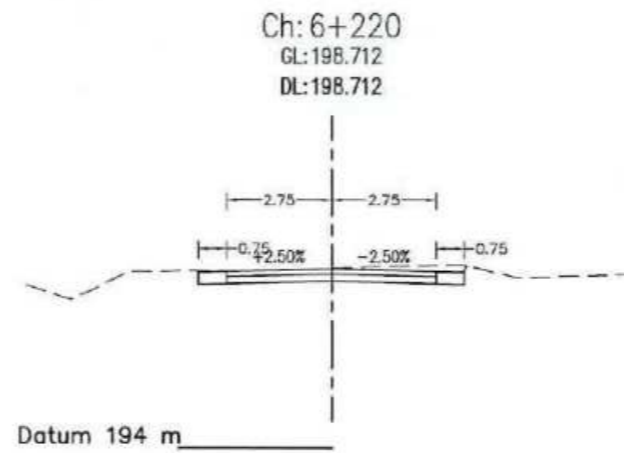
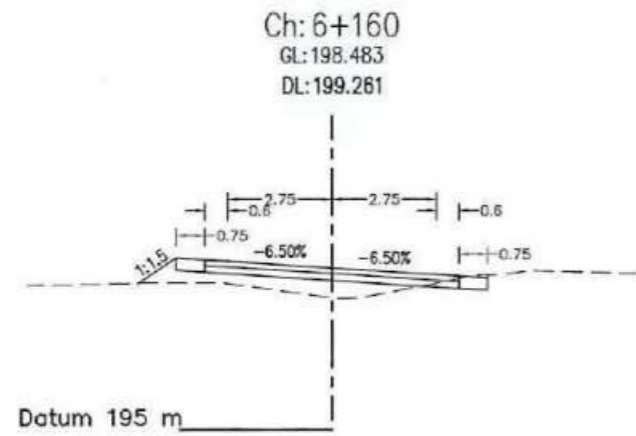
<p>Government of Nepal Ministry of Federal Affairs and General Administration Department of Local Infrastructure (DoLI) Rural Connectivity Improvement Project (RCIP) Project Coordination Unit (PCU) Pulchowk, Lalitpur</p>	<p>Consultant: Joint Venture of AVIYAAN - SOILTEST - CARD 254 Ekota Marg, New Baneshwor, Kathmandu-34, Nepal Phone: 977-1-4104307 Email: info@aviyaan.com</p>	<p>Jagadi - Dhansari - Ganeshman Chamath Na. Pa. (Province No - 2 Connecting) Road, Sindhuli</p>	DATE	REVISION	SIGNATURE	DESIGNED BY :	<p>SCALE 0 2m 4m 1:200</p>	Cross-Section	DATE:
						DRAWN BY :			DRG NO : CS
						CHECKED BY :		5+400-5+560	SHEET NO :
						APPROVED BY :			31

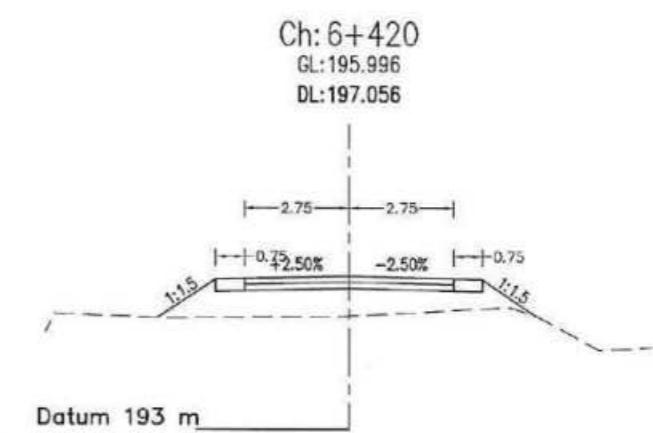
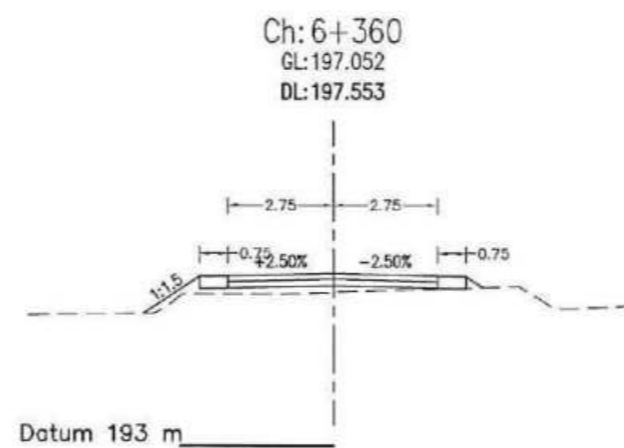
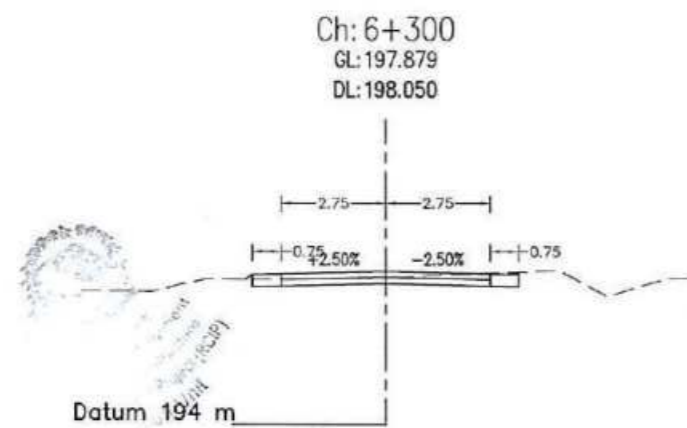
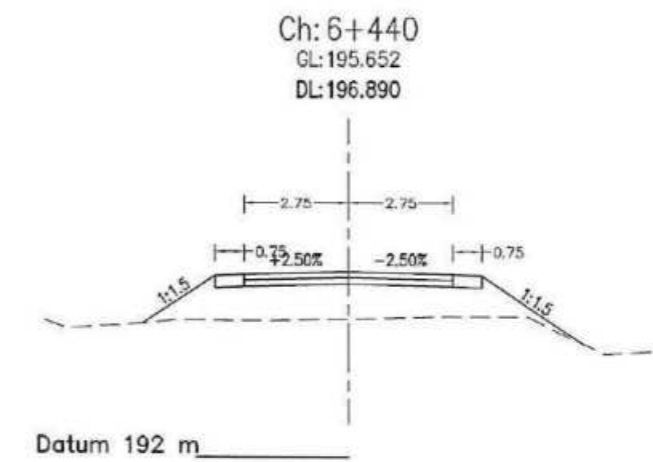
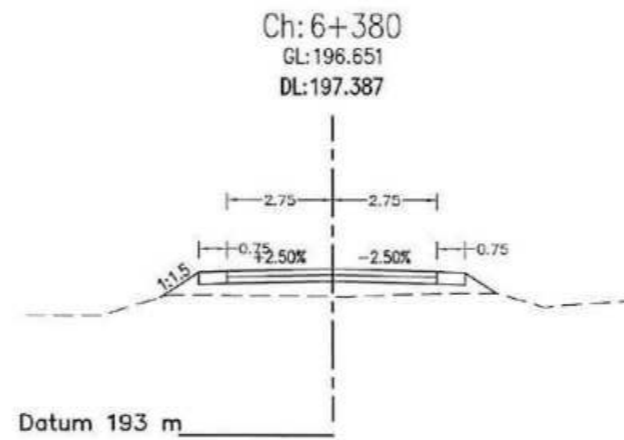
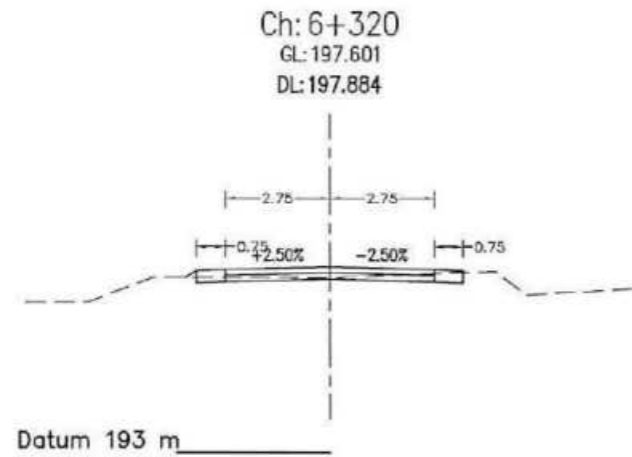
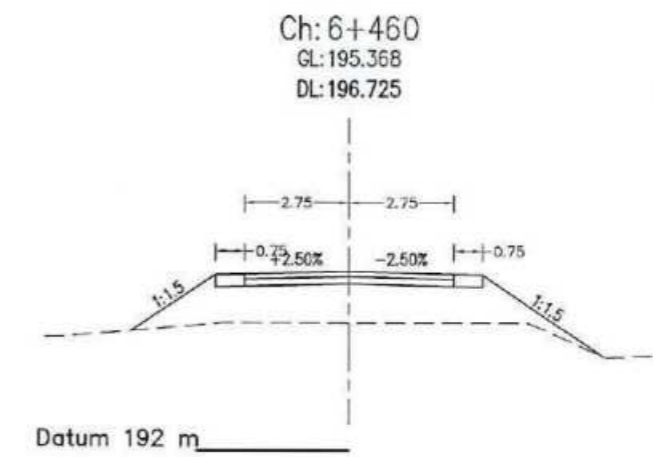
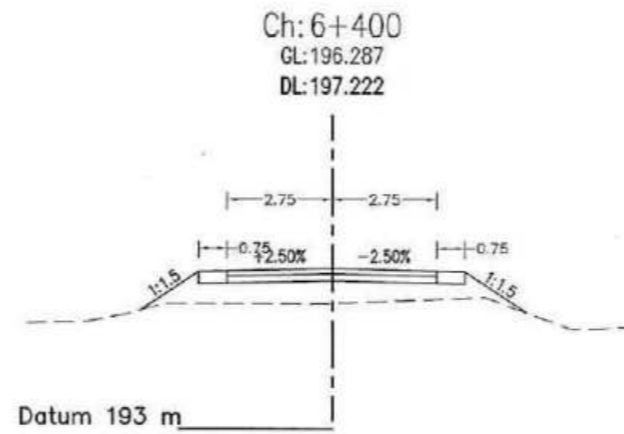
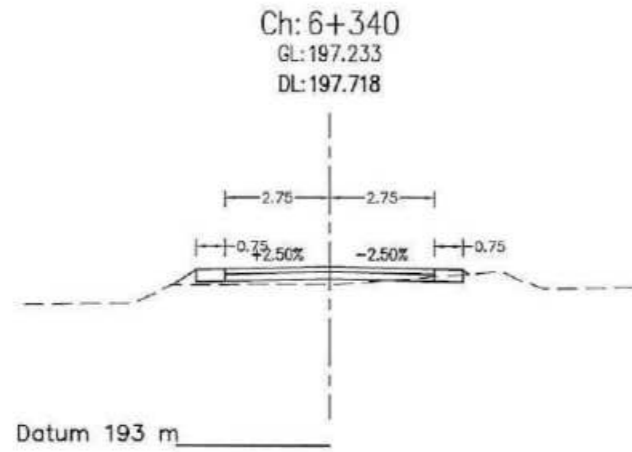


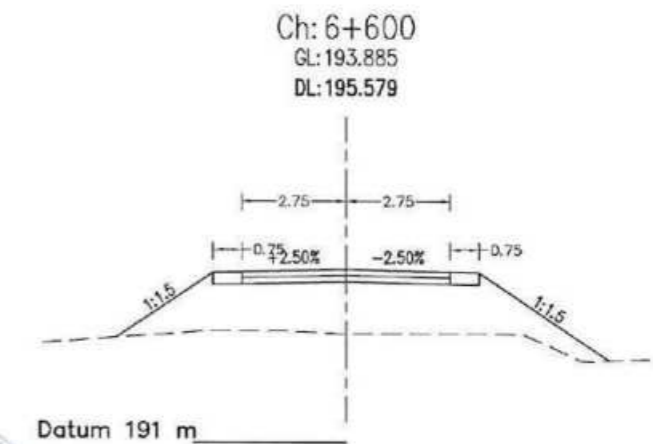
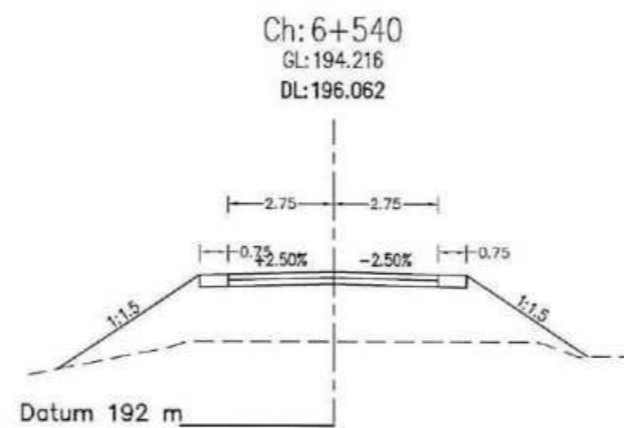
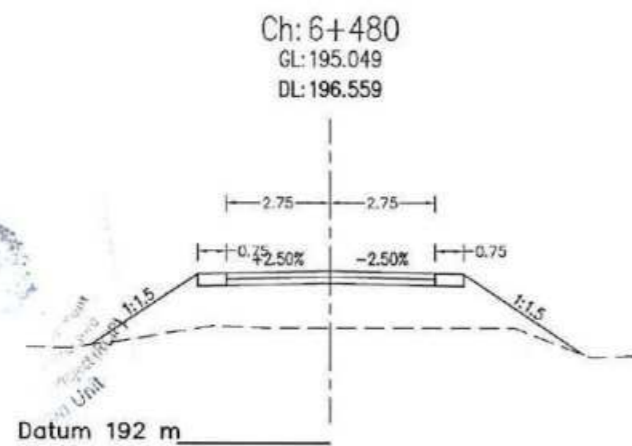
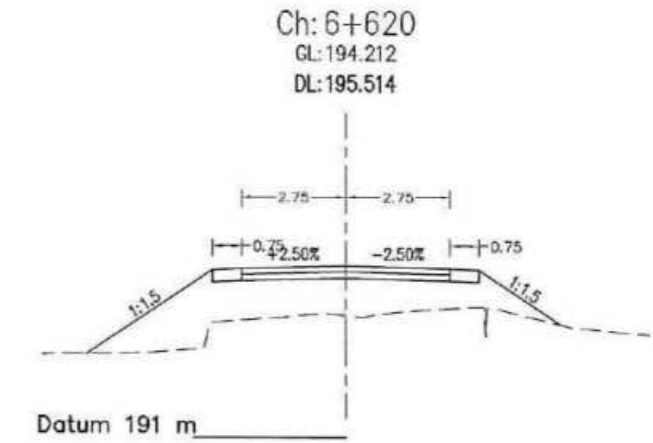
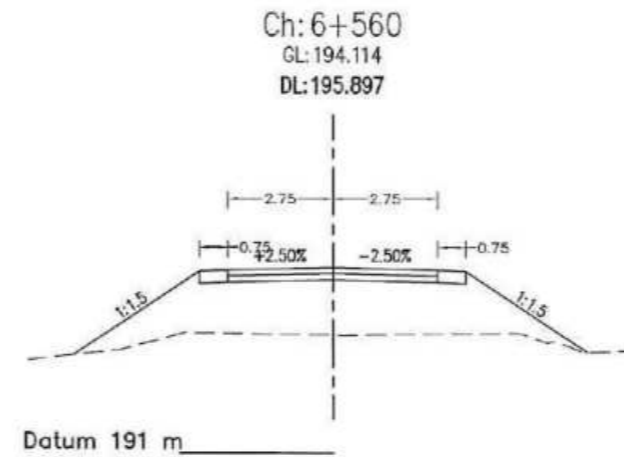
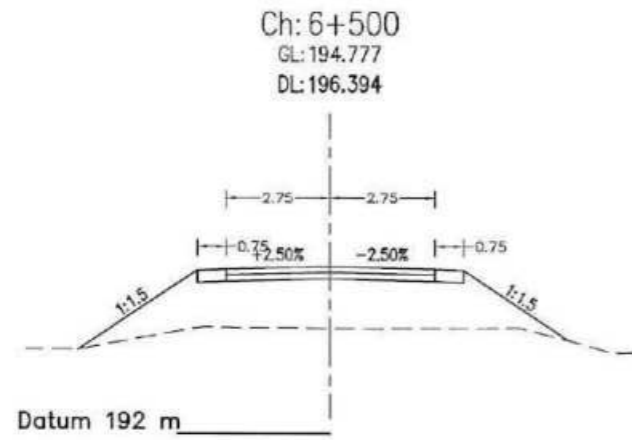
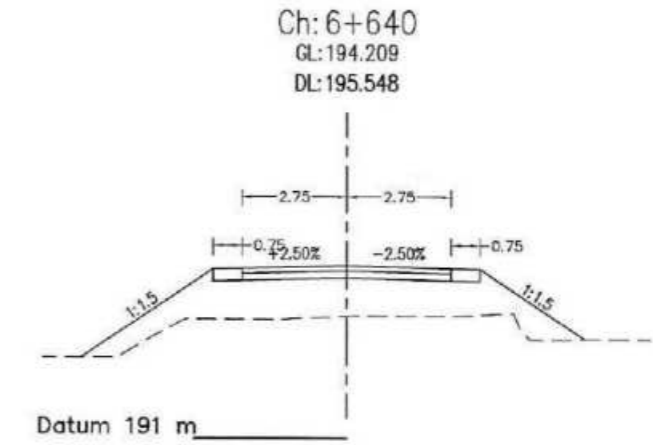
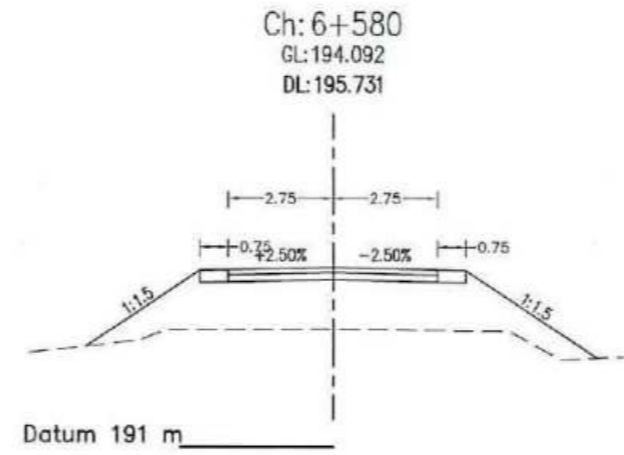
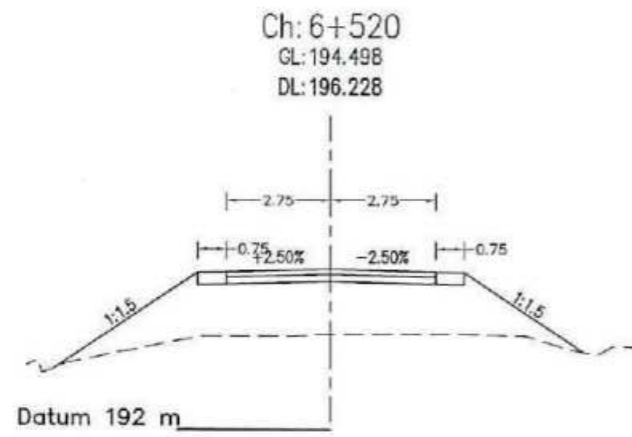
<p>Government of Nepal Ministry of Federal Affairs and General Administration Department of Local Infrastructure (DoLI) Rural Connectivity Improvement Project (RCIP) Project Coordination Unit (PCU) Pulchowk, Lalitpur</p>	<p>Consultant: Joint Venture of AVIYAAN - SOILTEST - CARD 254 Ekata Marg, New Baneshwar, Kathmandu-34, Nepal Phone: 977-1-4104307 Email: info@aviyaan.com</p>	<p>Jagadi - Dhansari - Ganeshman Charnath Na. Pa. (Province No - 2 Connecting) Road, Sindhuli</p>	DATE	REVISION	SIGNATURE	DESIGNED BY : <i>[Signature]</i>	<p>SCALE 1:200 2m 4m</p>	<p>Cross-Section 5+580-5+740</p>	DATE:
						DRAWN BY : <i>[Signature]</i>			DRG NO : CS
						CHECKED BY : <i>[Signature]</i>			SHEET NO :
						APPROVED BY :			32

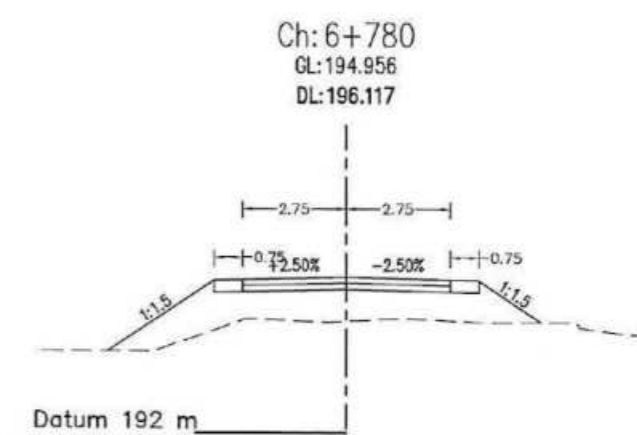
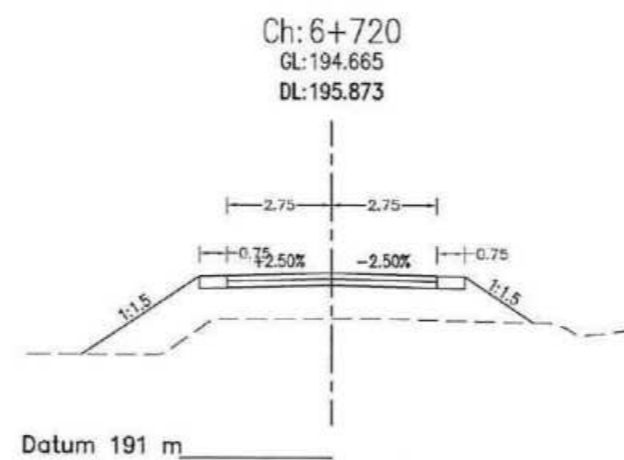
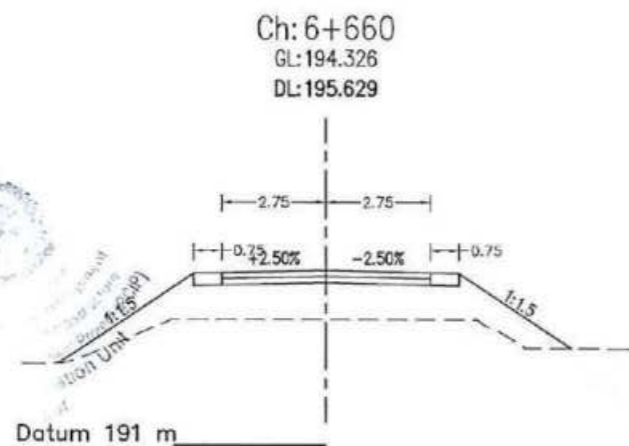
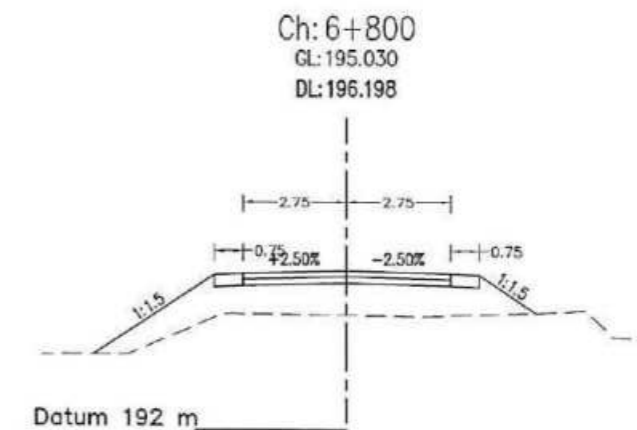
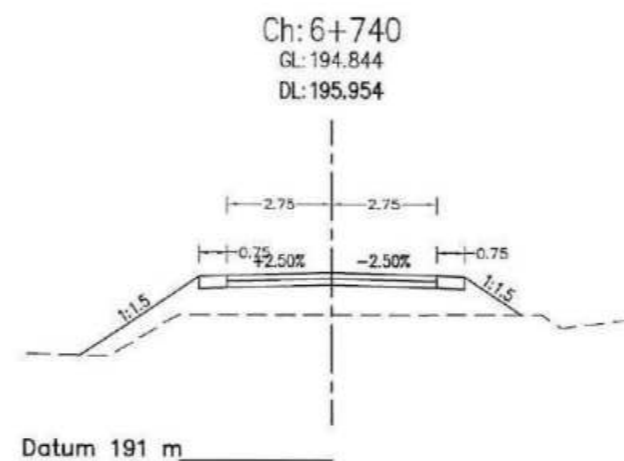
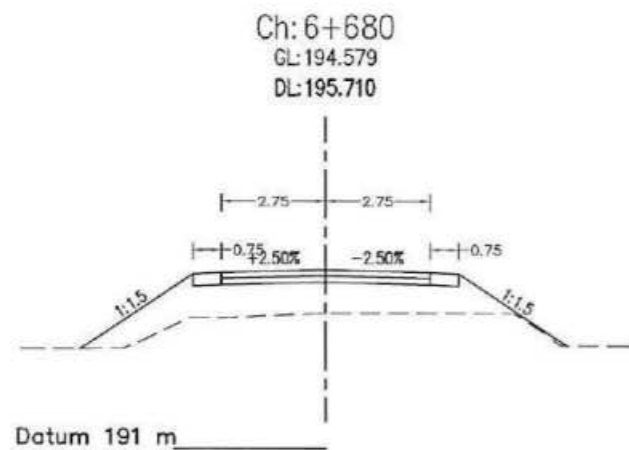
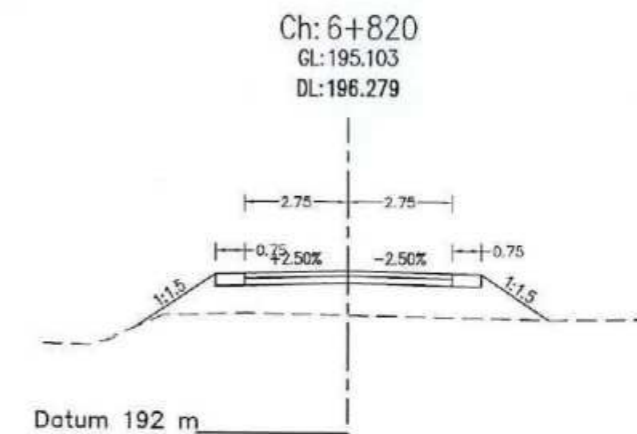
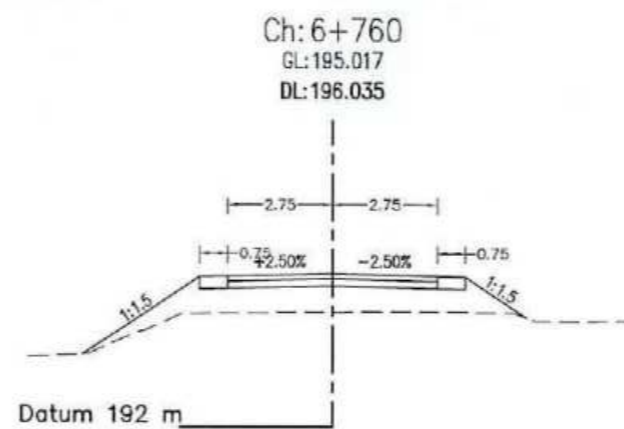
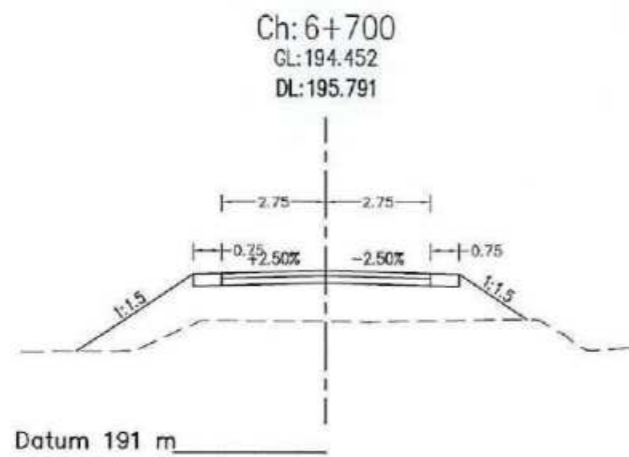


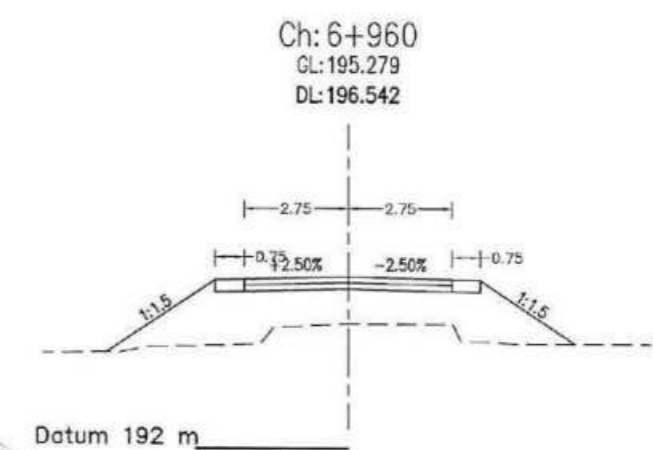
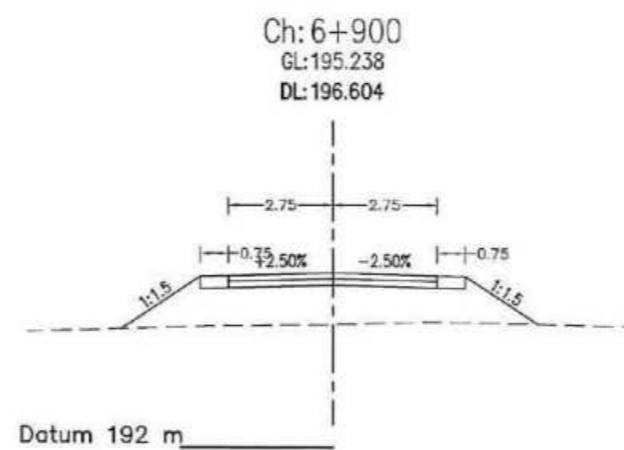
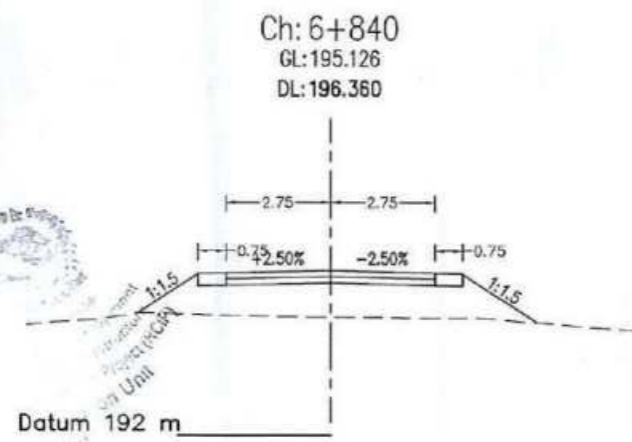
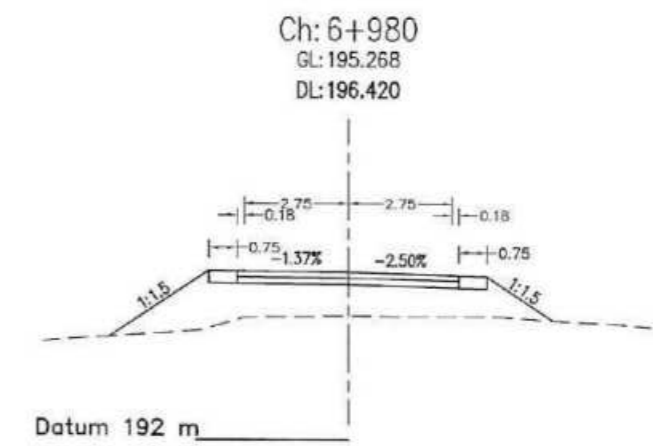
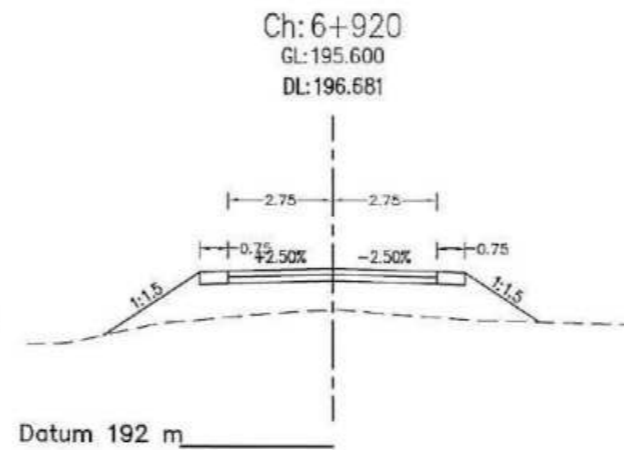
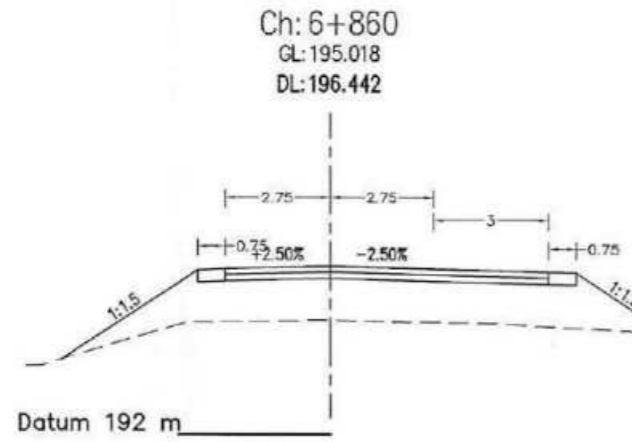
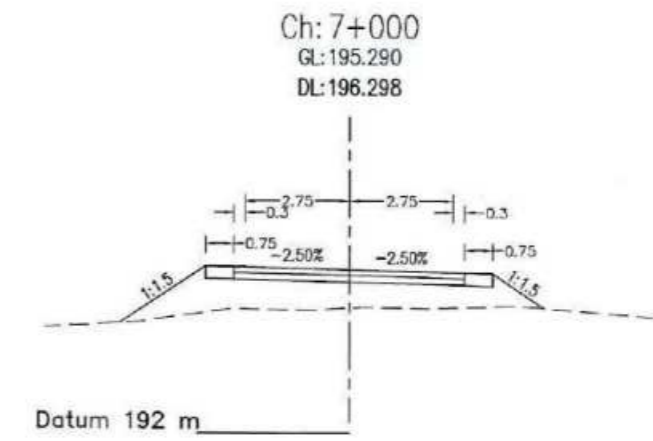
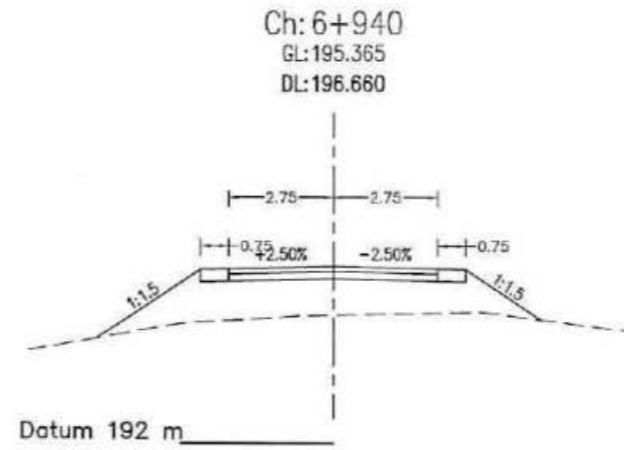
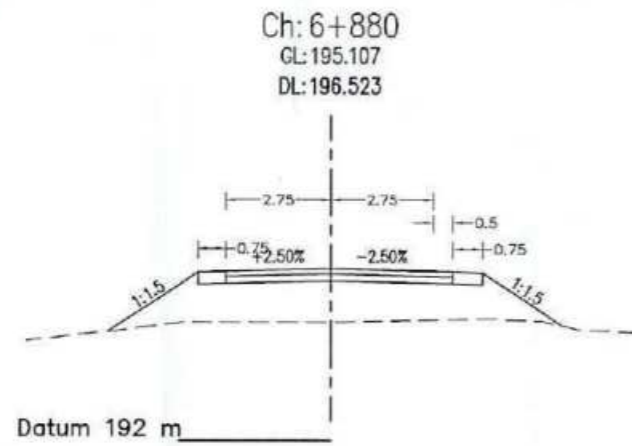


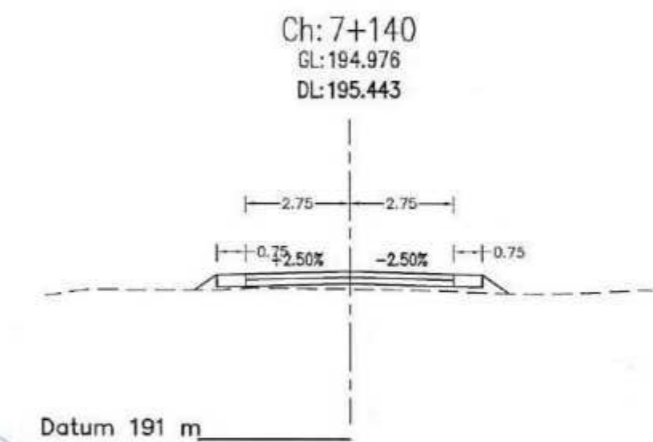
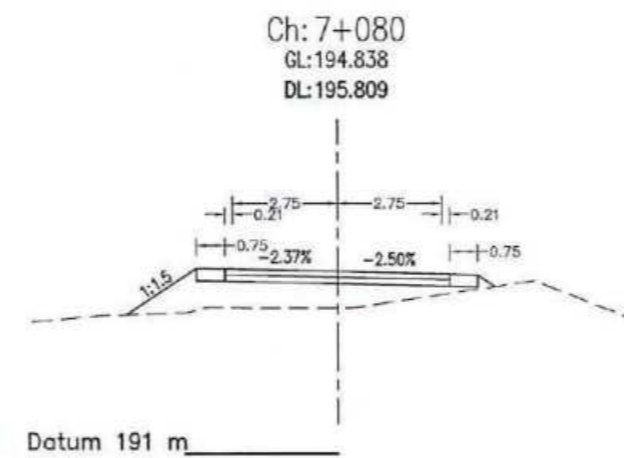
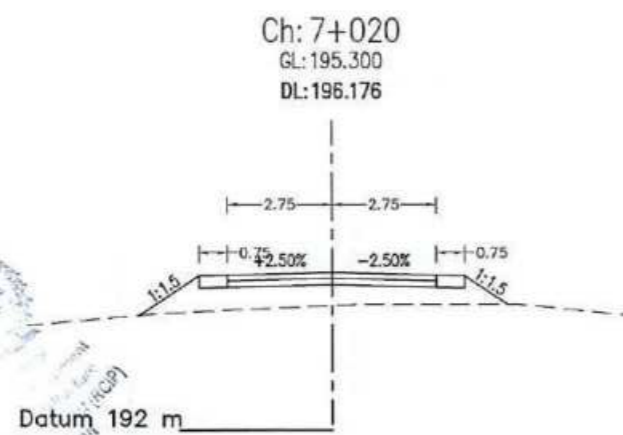
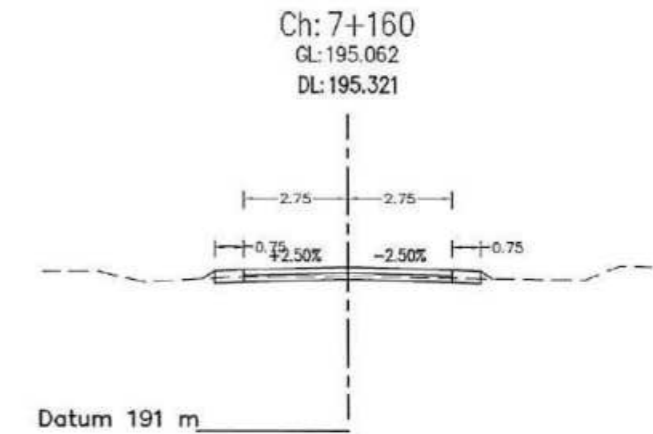
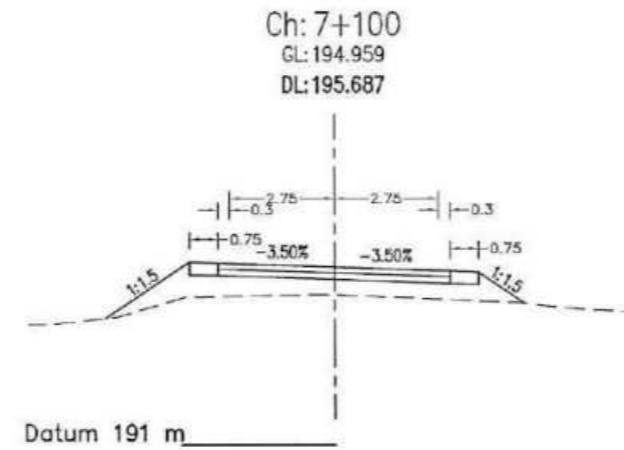
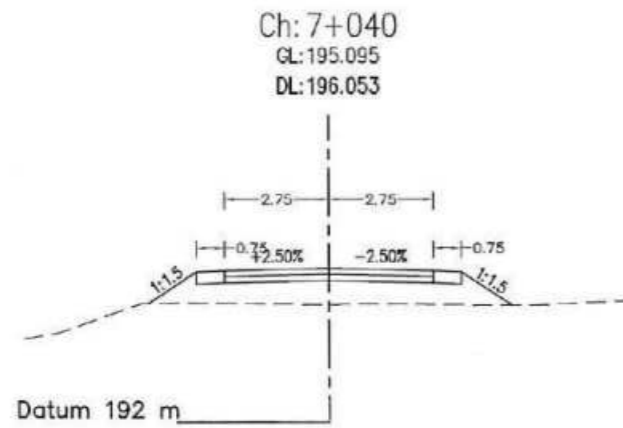
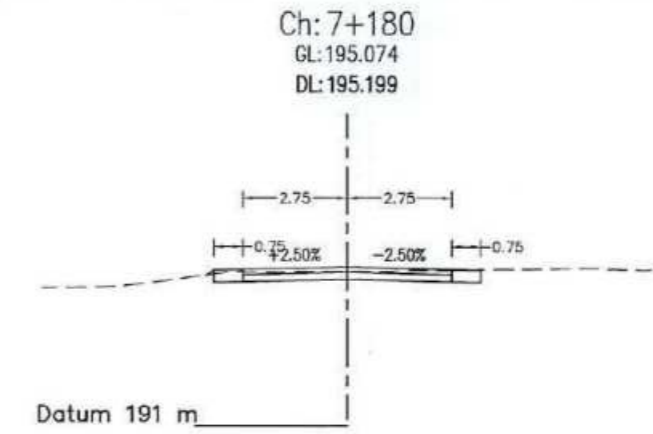
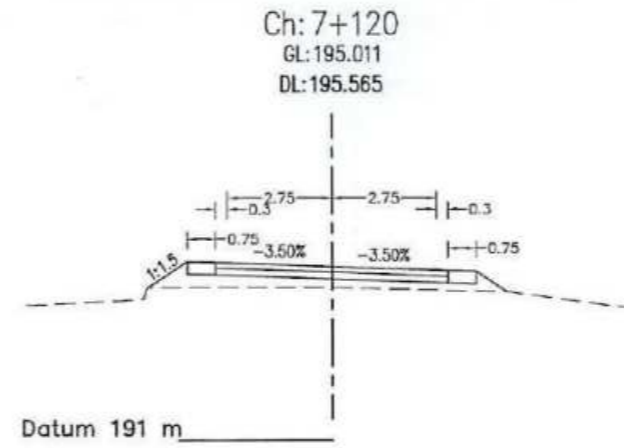
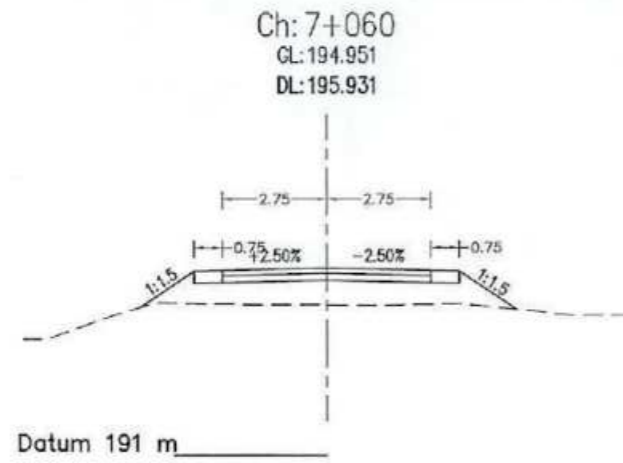


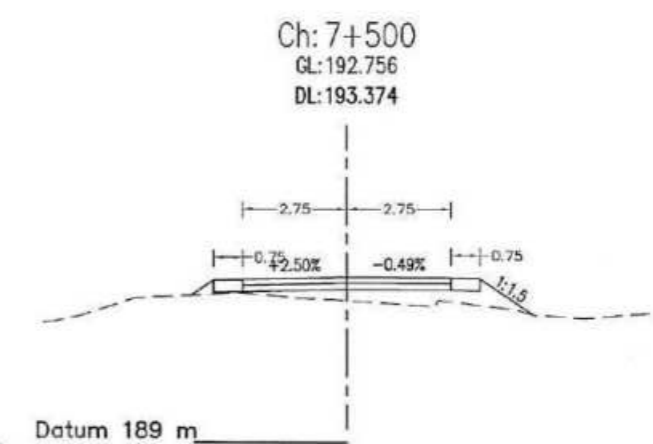
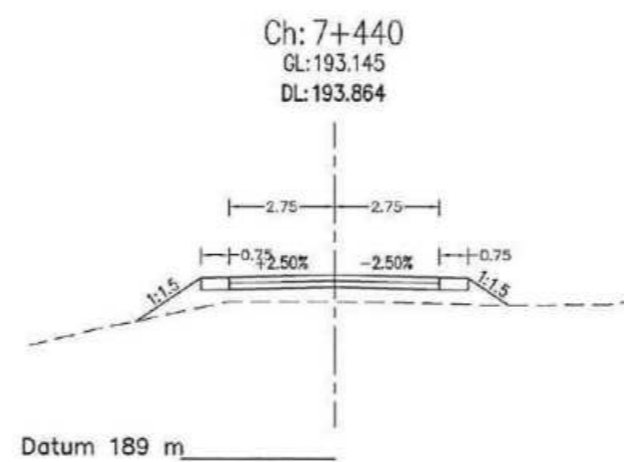
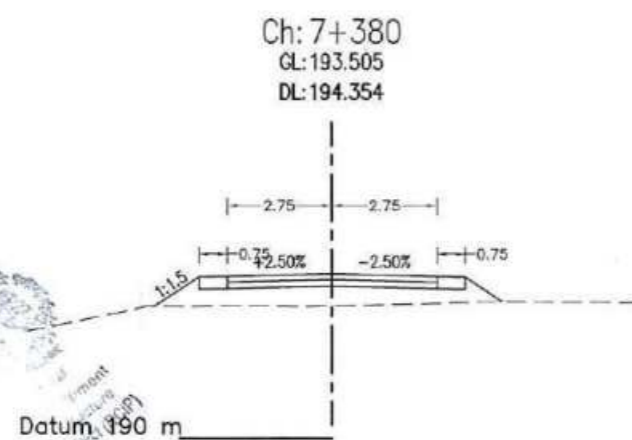
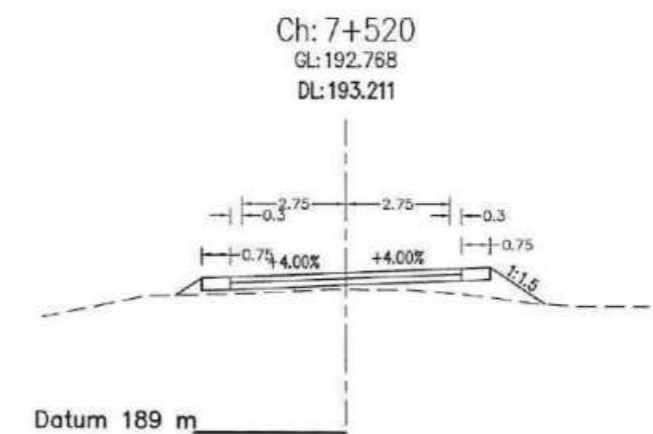
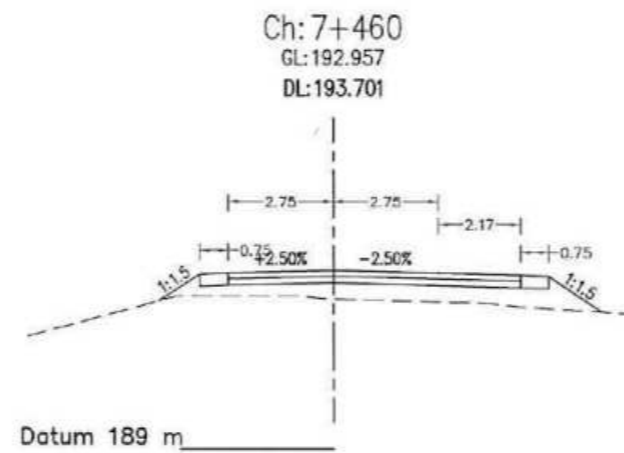
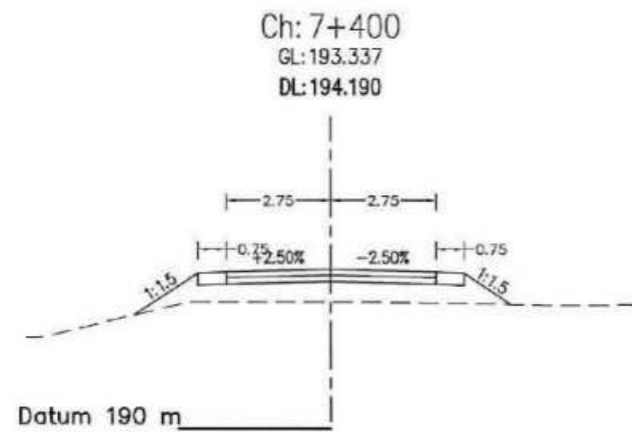
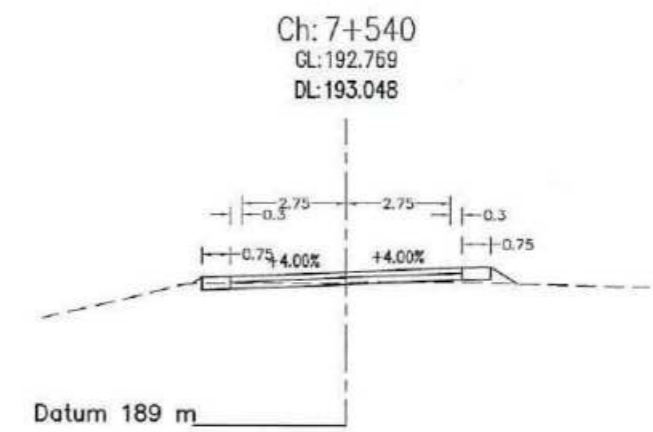
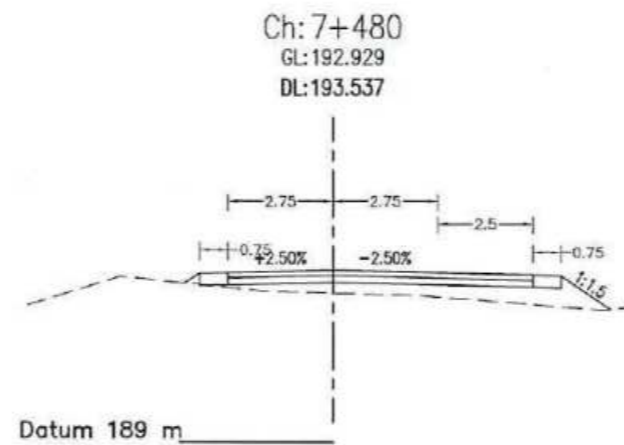
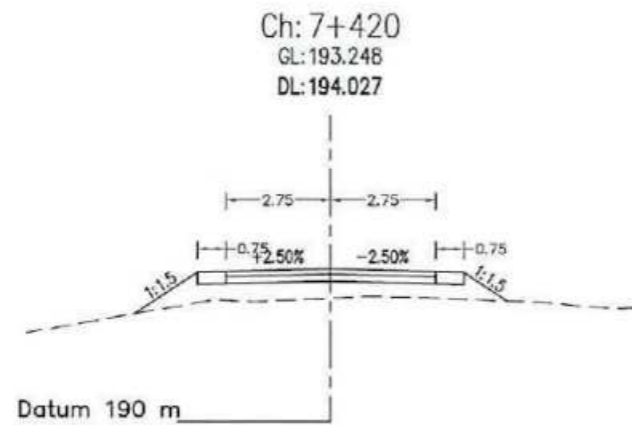


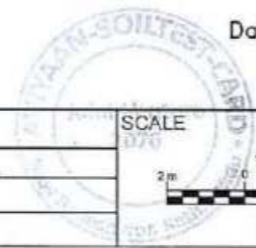
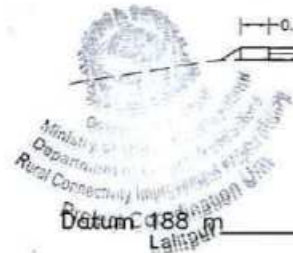
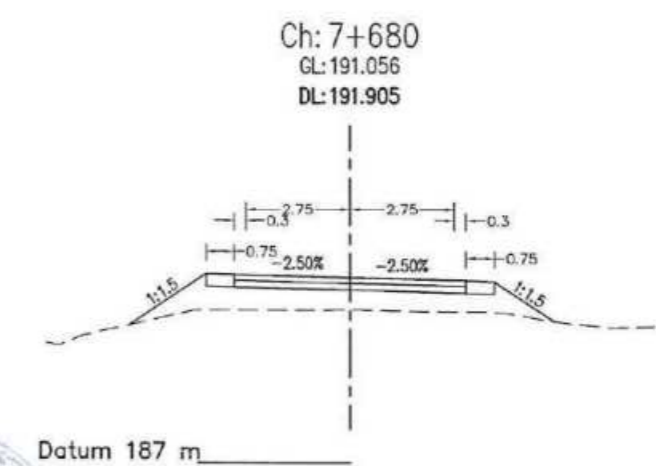
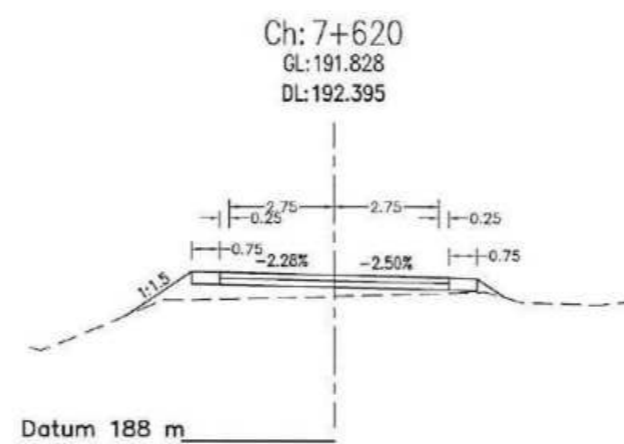
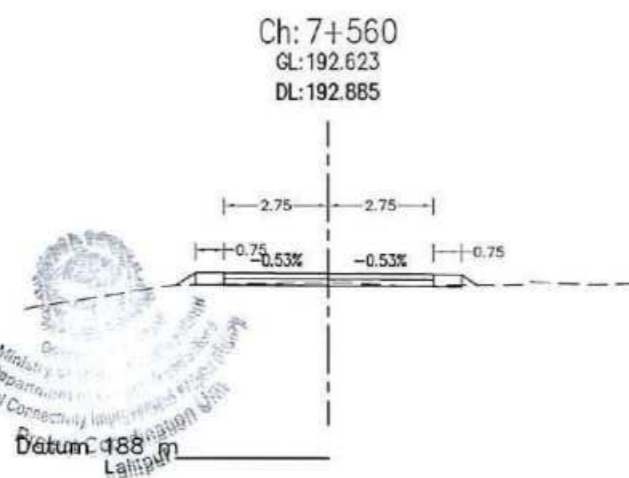
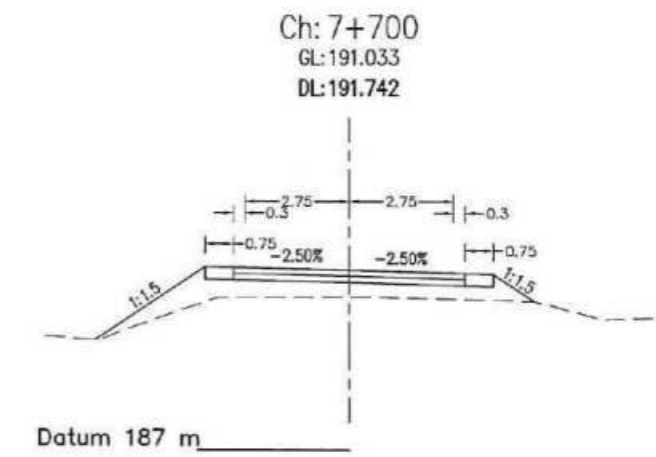
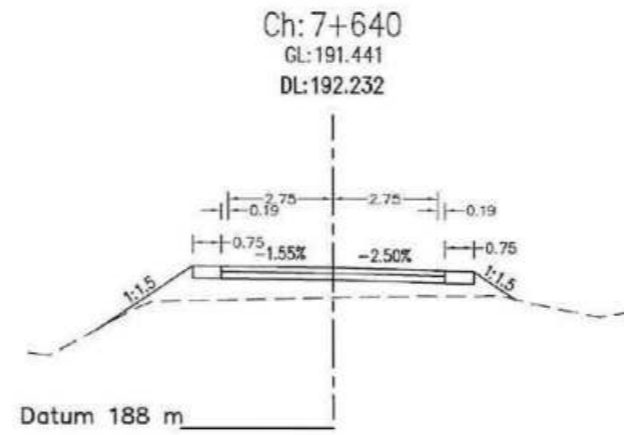
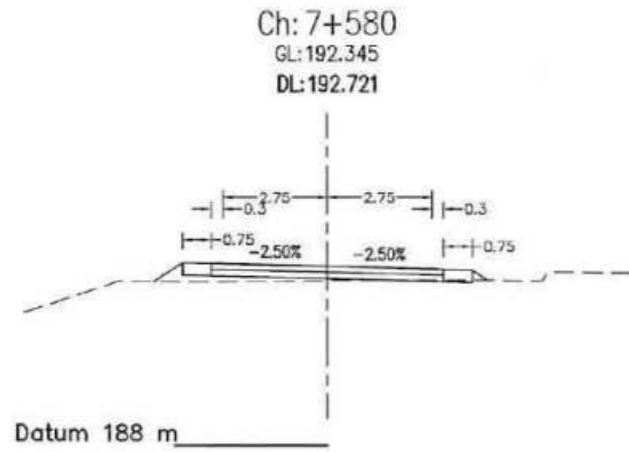
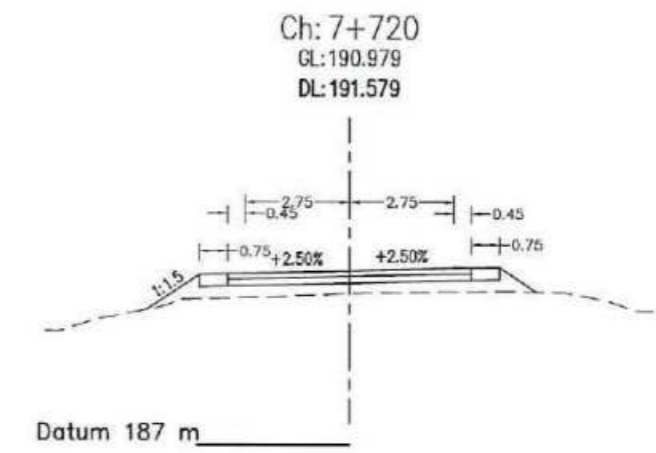
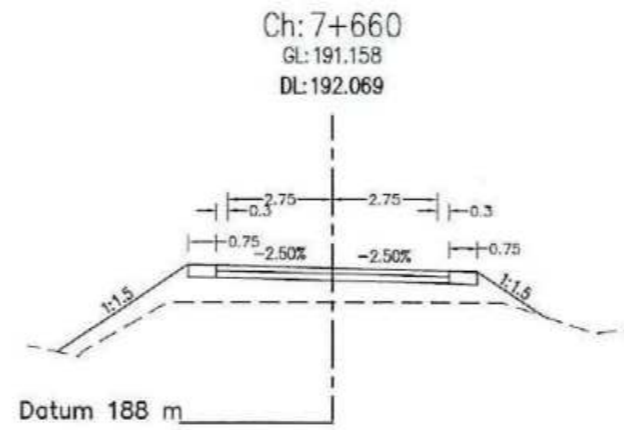
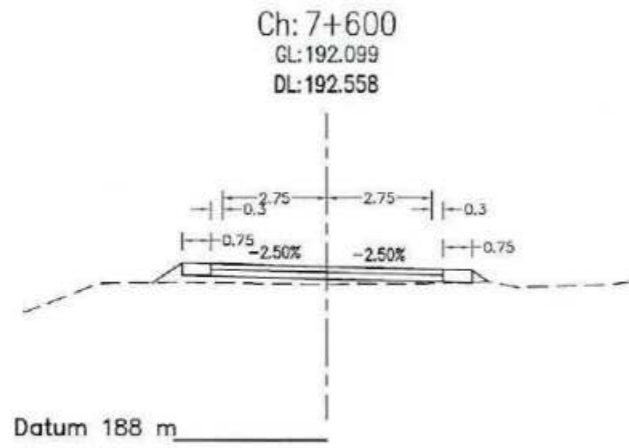




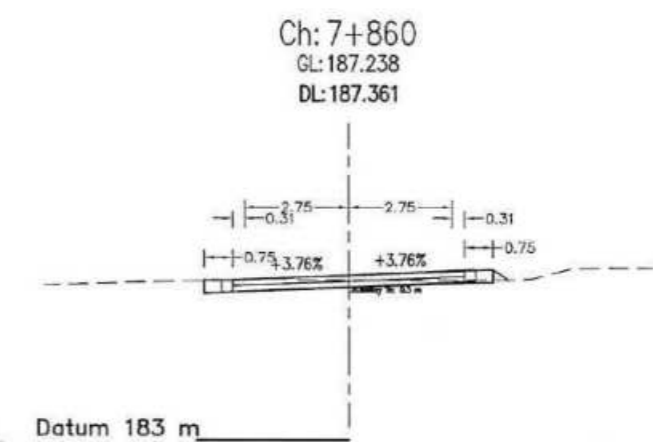
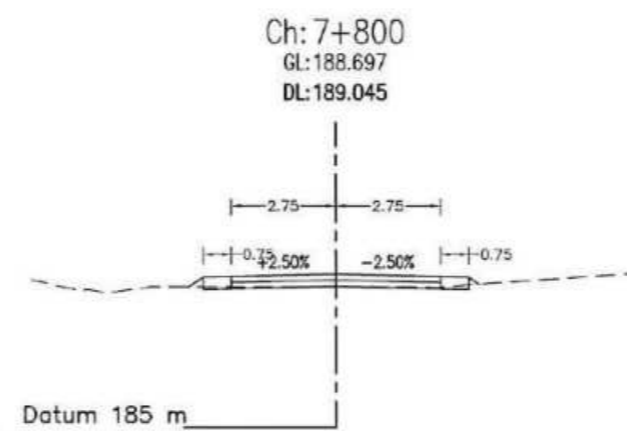
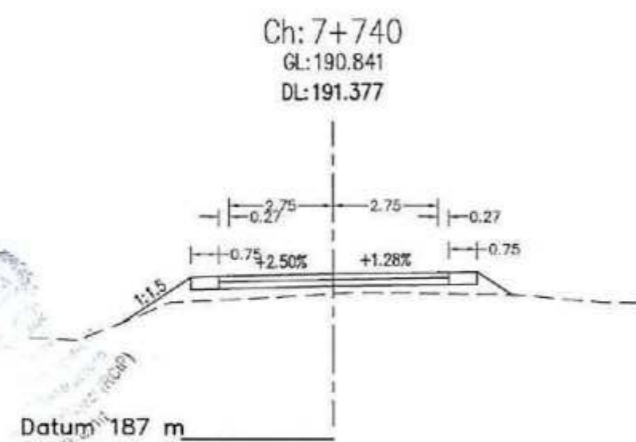
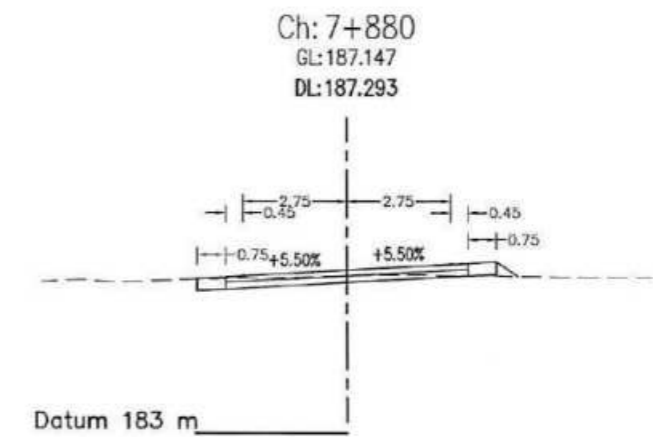
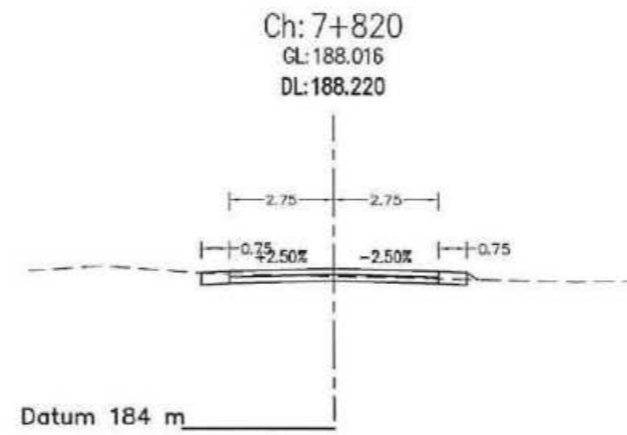
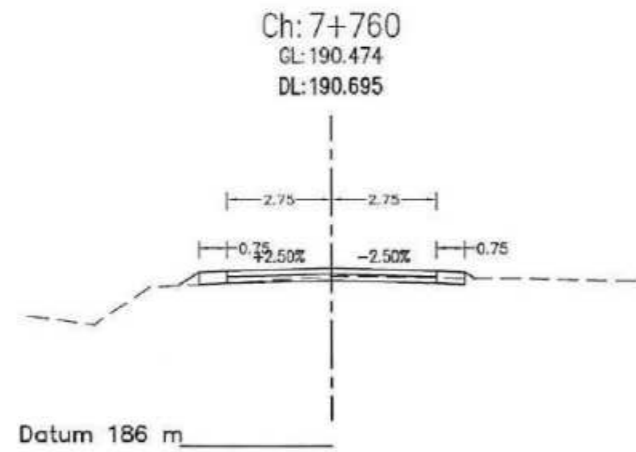
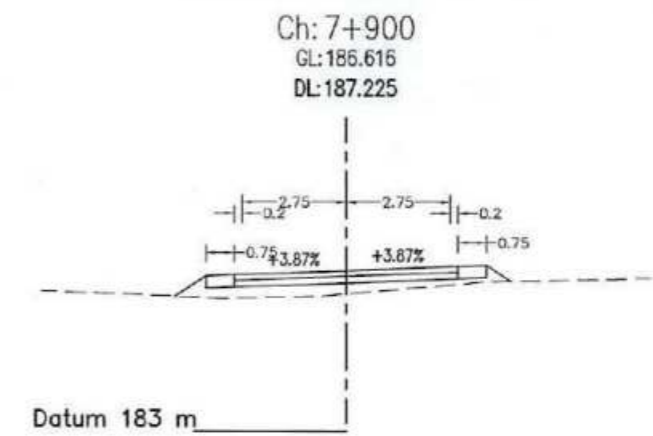
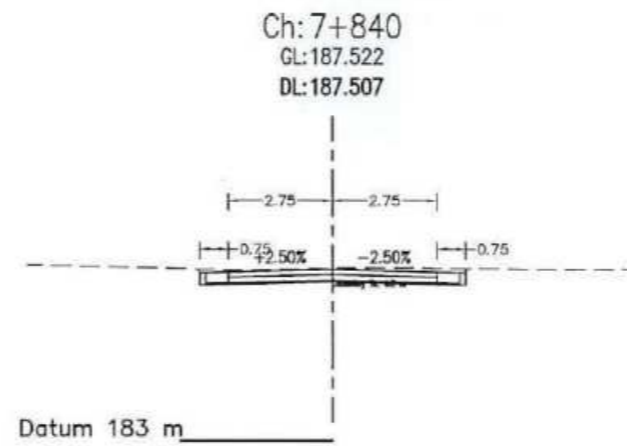
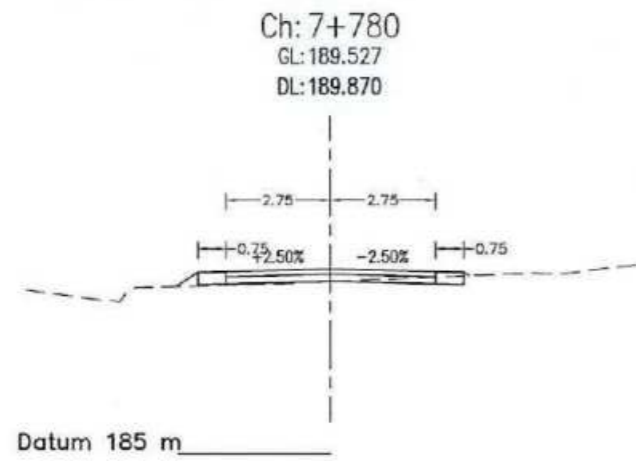


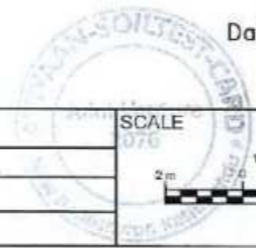
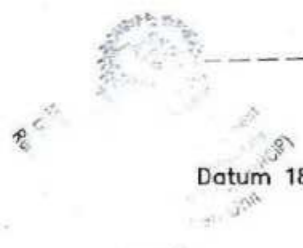
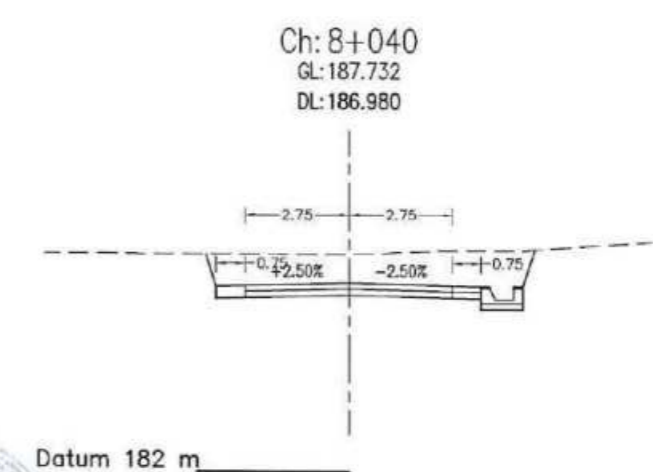
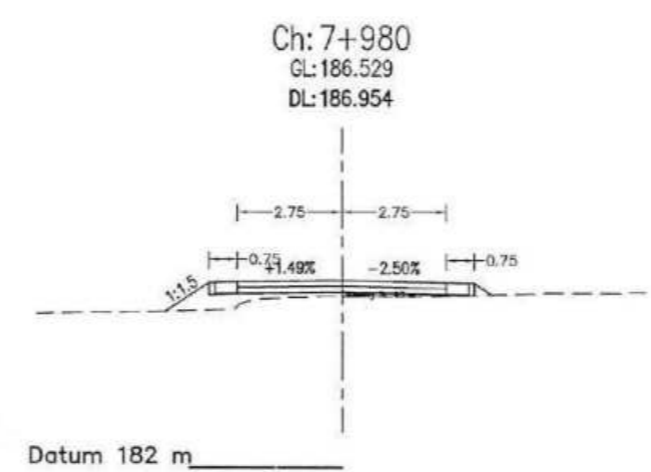
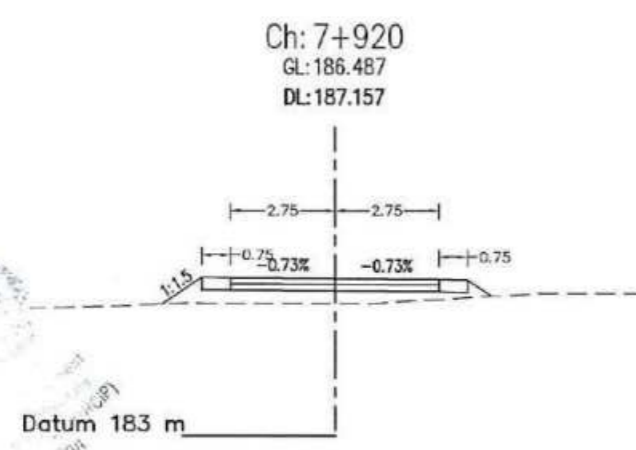
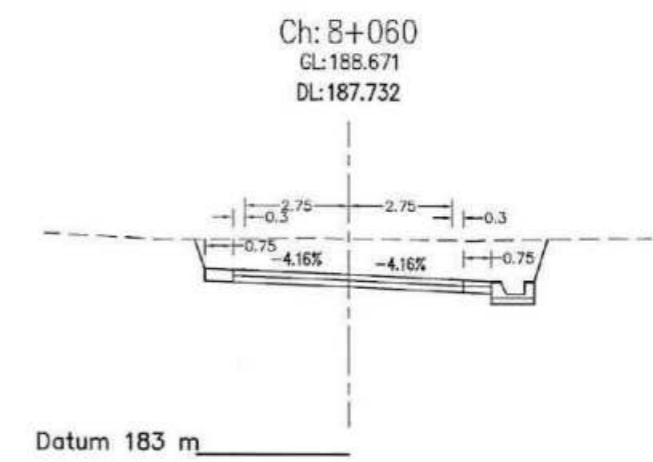
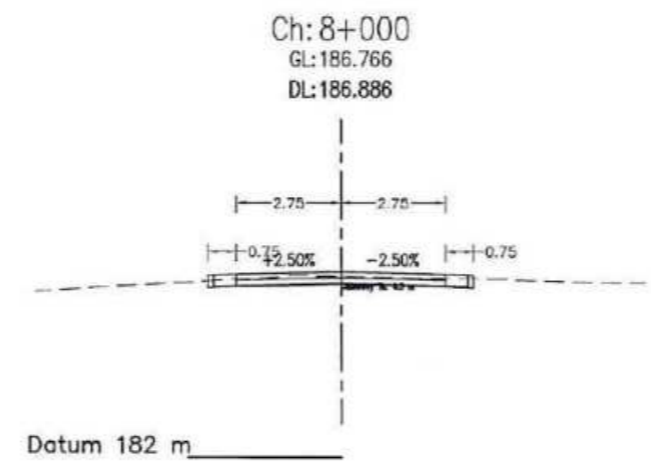
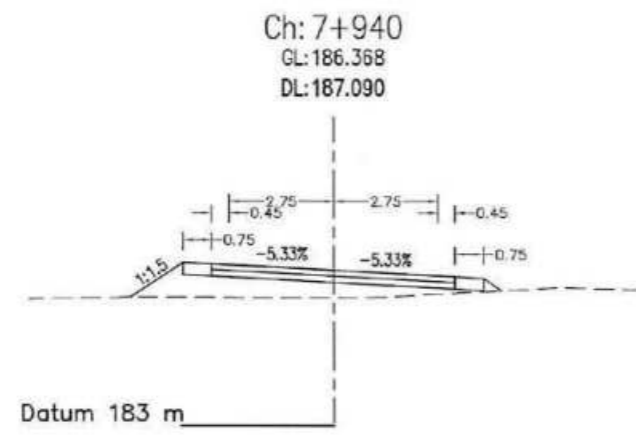
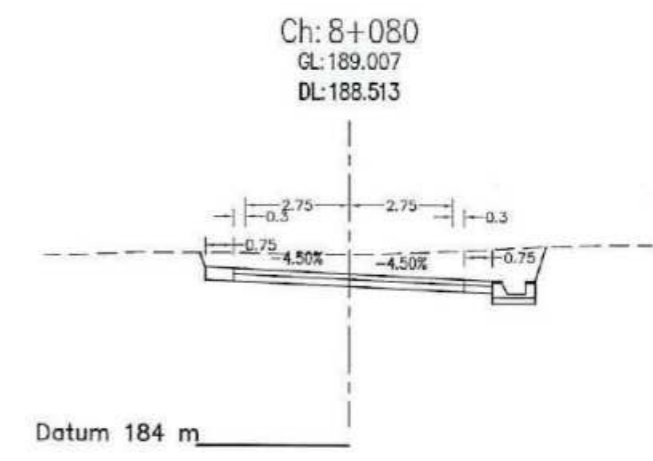
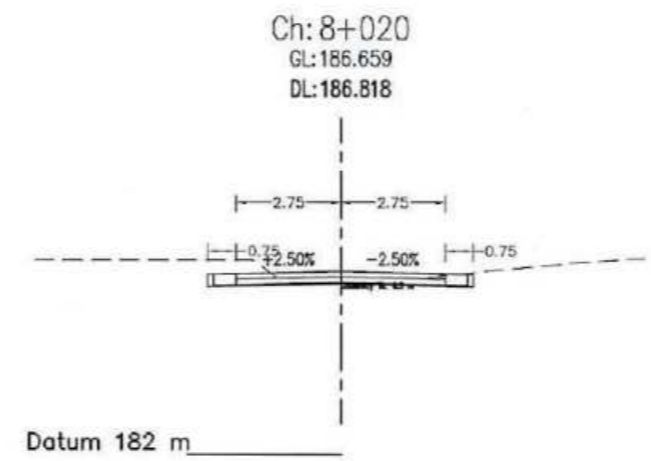
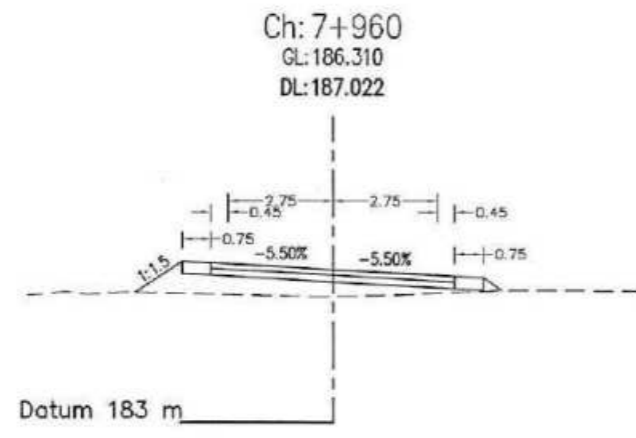




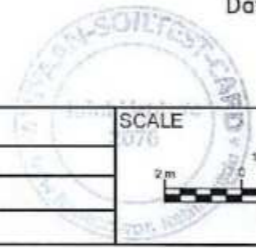
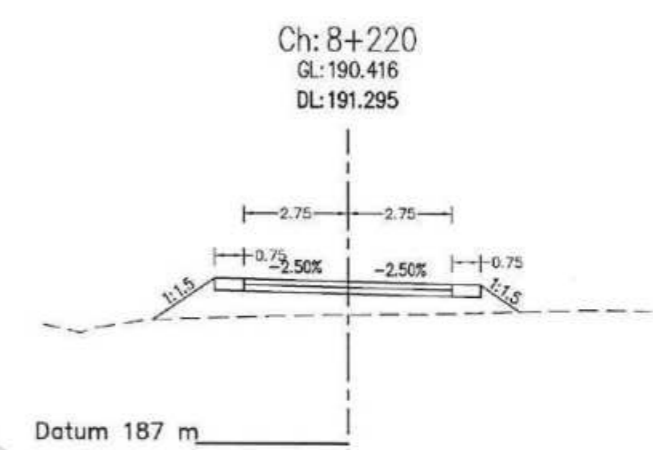
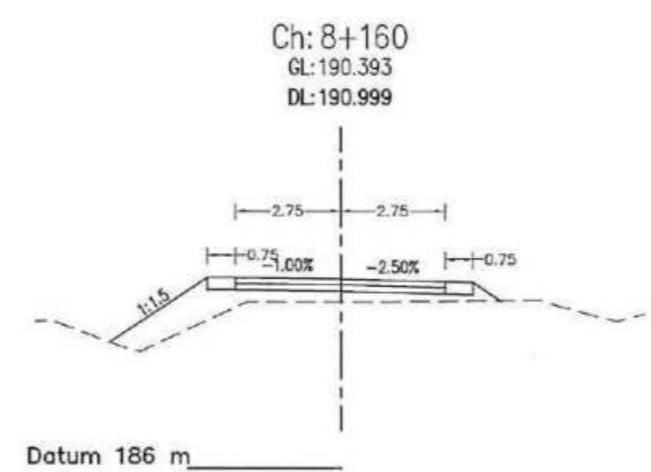
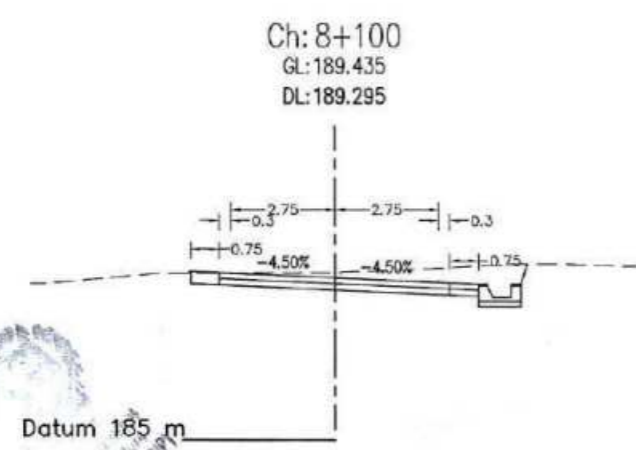
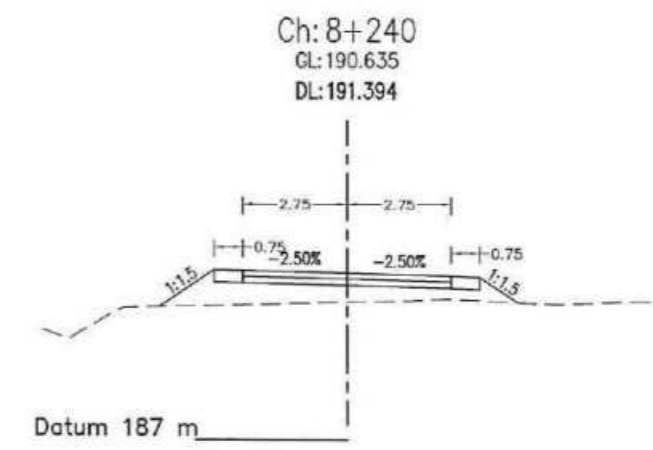
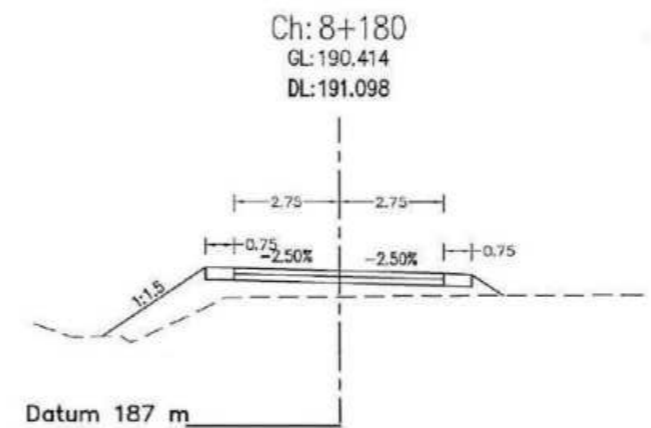
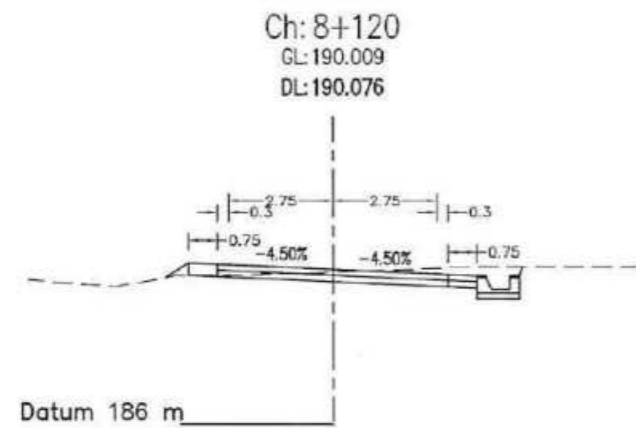
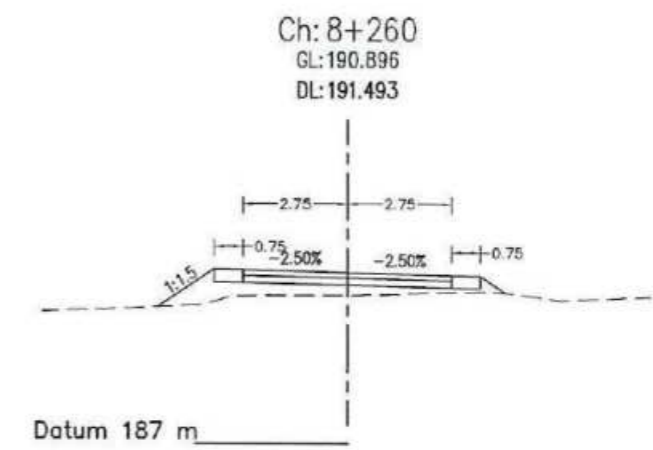
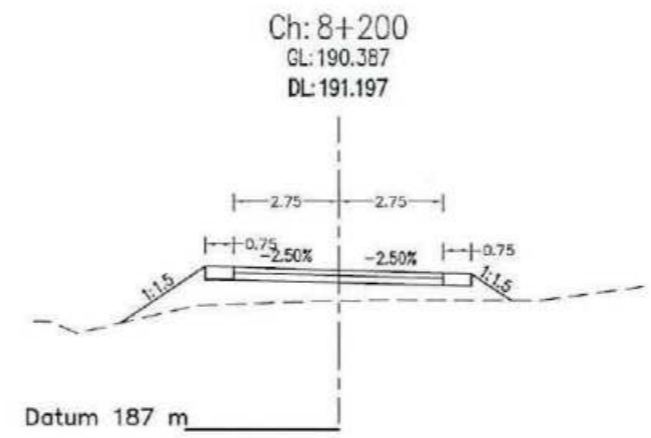
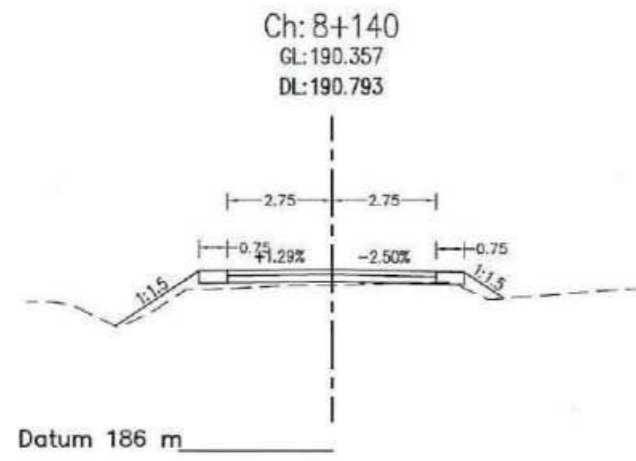


<p>Government of Nepal Ministry of Federal Affairs and General Administration Department of Local Infrastructure (DoLI) Rural Connectivity Improvement Project (RCIP) Project Coordination Unit (PCU) Pulchowk, Lalitpur</p>	<p>Consultant: Joint Venture of AVIYAAN - SOILTEST - CARD 254 Ekata Marg, New Baneshwor, Kathmandu-34, Nepal Phone: 977-1-4104307 Email: info@aviyaan.com</p>	<p>Jagadi - Dhansari - Ganeshman Charnath Na. Pa. (Province No - 2 Connecting) Road, Sindhuli</p>	DATE	REVISION	SIGNATURE	DESIGNED BY :	<p>SCALE 0 2m 4m 1:200</p>	Cross-Section	DATE:
						DRAWN BY :			DRG NO : CS
						CHECKED BY :		7+560-7+720	SHEET NO :
						APPROVED BY :			43





<p>Government of Nepal Ministry of Federal Affairs and General Administration Department of Local Infrastructure (DoLI) Rural Connectivity Improvement Project (RCIP) Project Coordination Unit (PCU) Pulchowk, Lalitpur</p>	<p>Consultant: Joint Venture of AVIYAAN - SOILTEST - CARD 254 Ekata Marg, New Baneshwar, Kathmandu-34, Nepal Phone: 977-1-4104307 Email: info@svvsn.com</p>	<p>Jagadi - Dhansari - Ganeshman Charnath Na. Pa. (Province No - 2 Connecting) Road, Sindhuli</p>	DATE	REVISION	SIGNATURE	DESIGNED BY :	<p>SCALE 075 1:200 2m 4m</p>	<p>Cross-Section 7+920-8+080</p>	DATE:
						DRAWN BY :			DRG NO : CS
						CHECKED BY :			SHEET NO : 45
						APPROVED BY :			

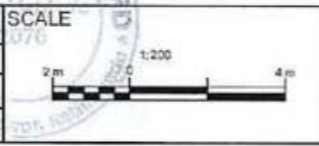


Government of Nepal
Ministry of Federal Affairs and General Administration
Department of Local Infrastructure (DoLI)
Rural Connectivity Improvement Project (RCIP)
Project Coordination Unit (PCU)
Pulchowk, Lalitpur

Consultant:
Joint Venture of
AVIYAAN - SOILTEST - CARD
254 Ekata Marg, New Baneshwor,
Kathmandu-34, Nepal
Phone: 977-1-4104307
Email: info@aviyaan.com

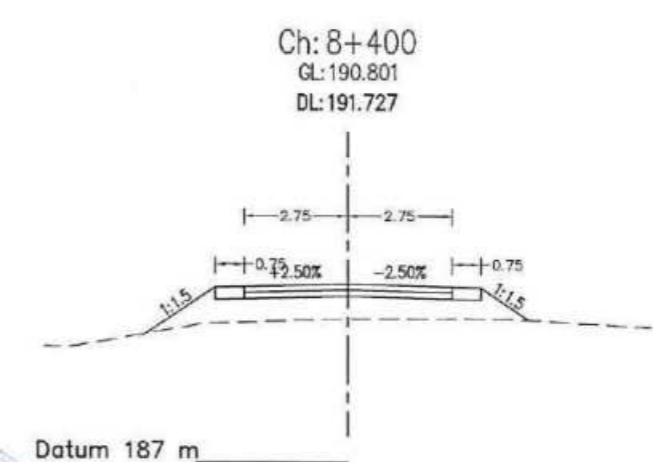
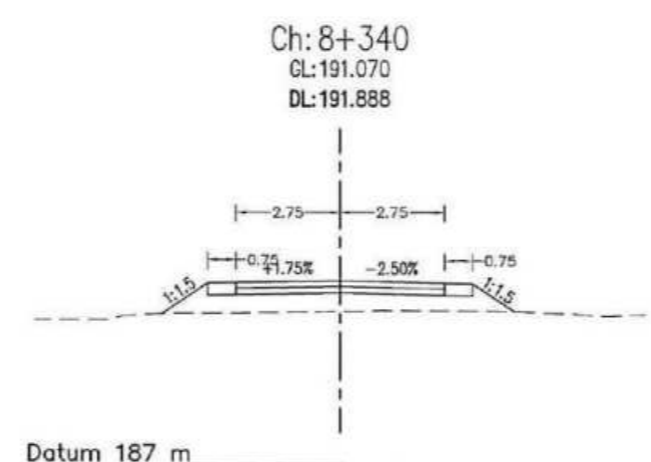
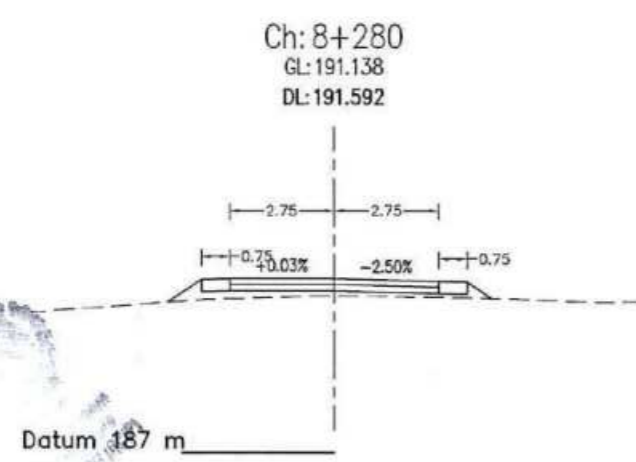
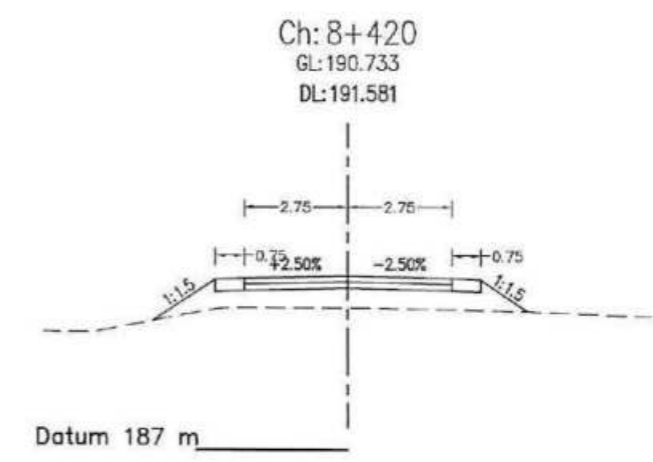
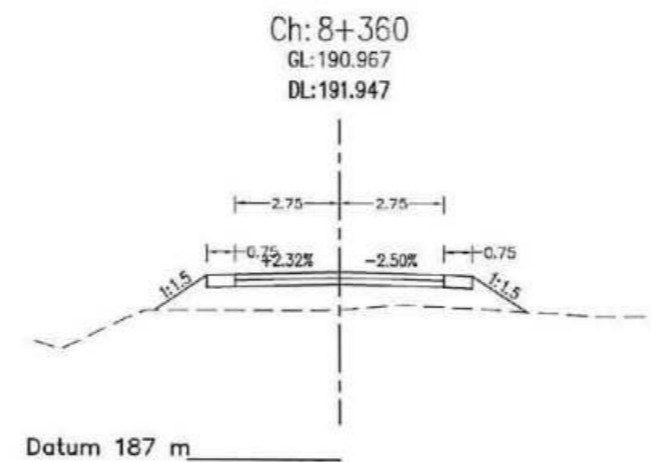
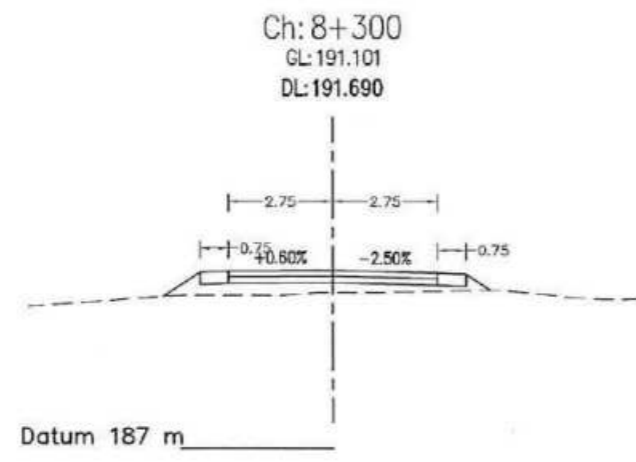
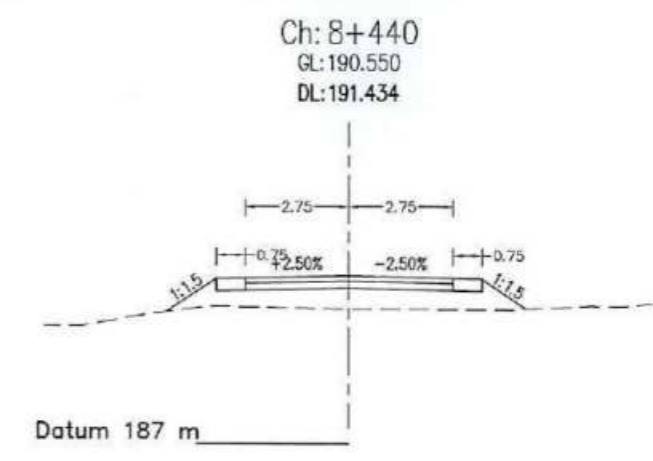
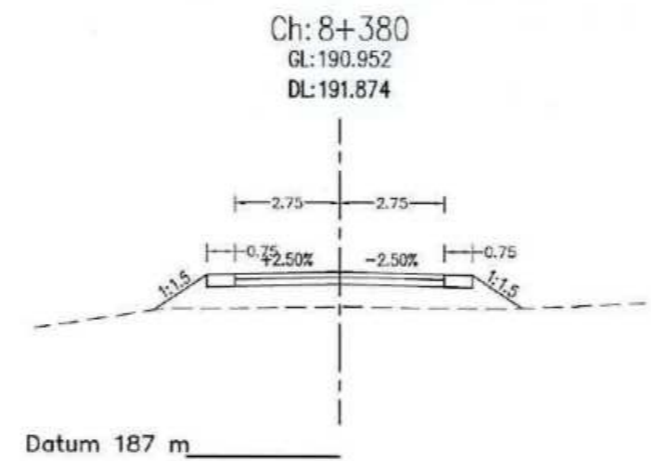
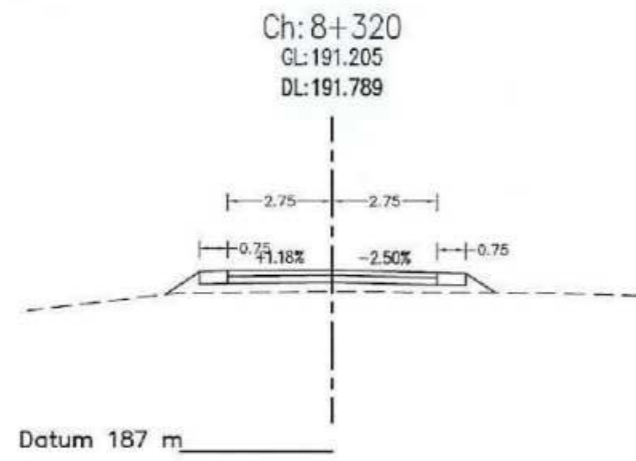
Jagadi - Dhansari -
Ganeshman Chamath Na. Pa.
(Province No - 2 Connecting)
Road, Sindhuli

DATE	REVISION	SIGNATURE	DESIGNED BY :
			DRAWN BY :
			CHECKED BY :
			APPROVED BY :

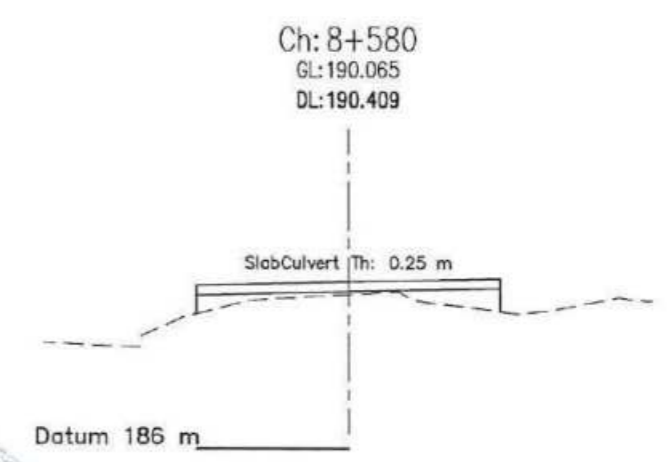
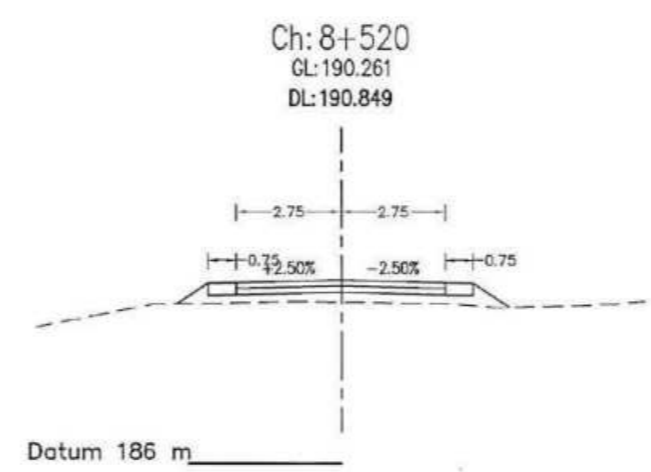
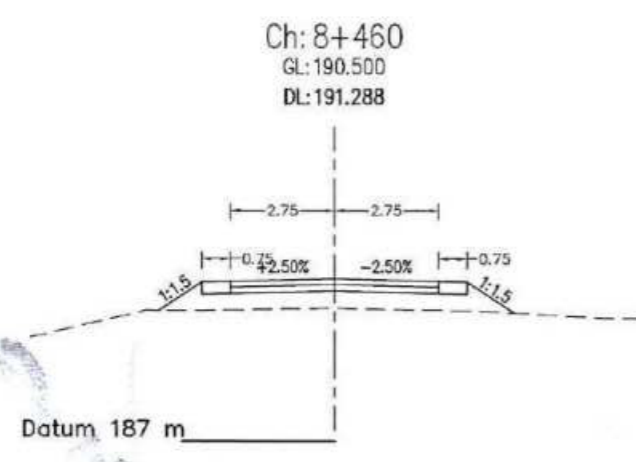
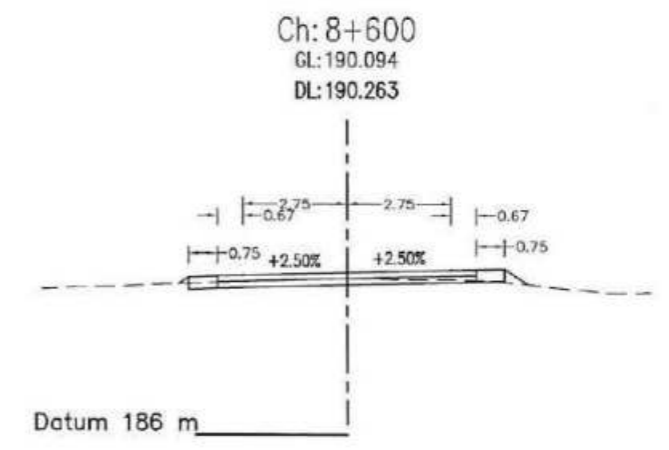
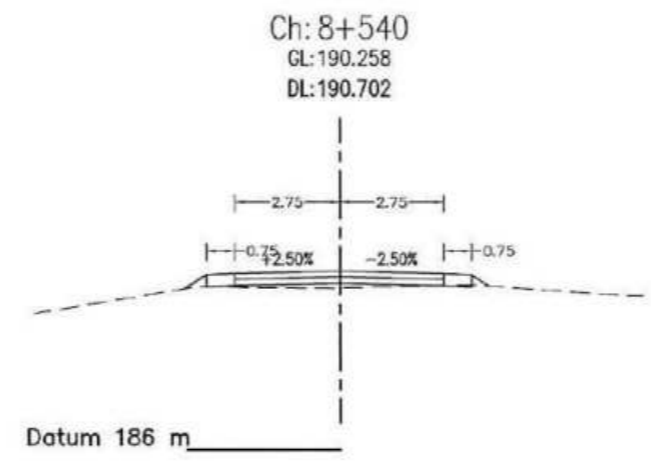
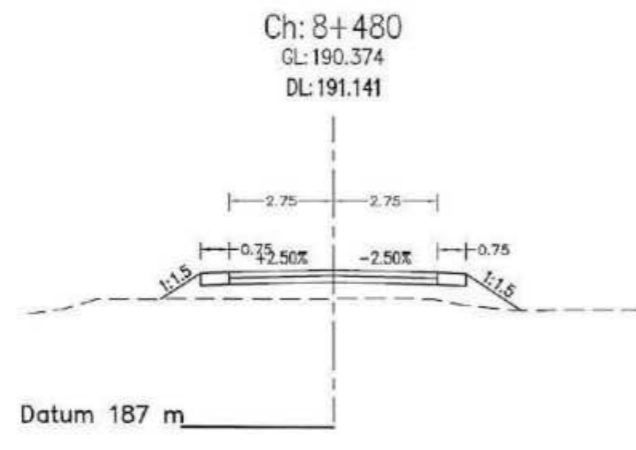
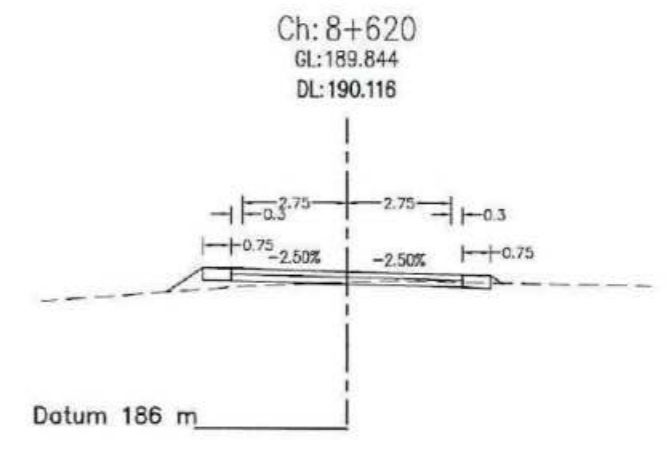
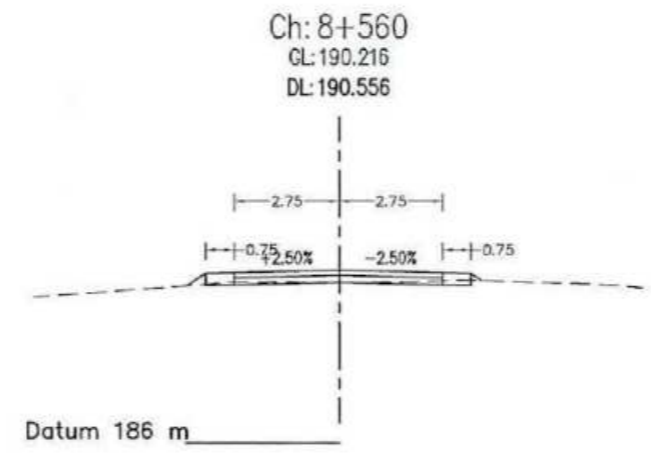
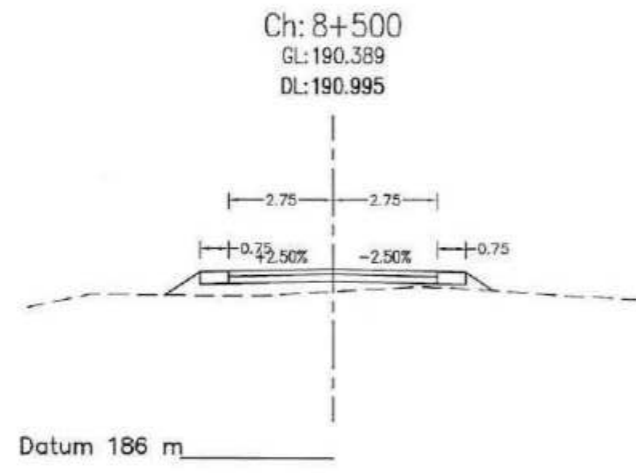


Cross-Section
8+100-8+260

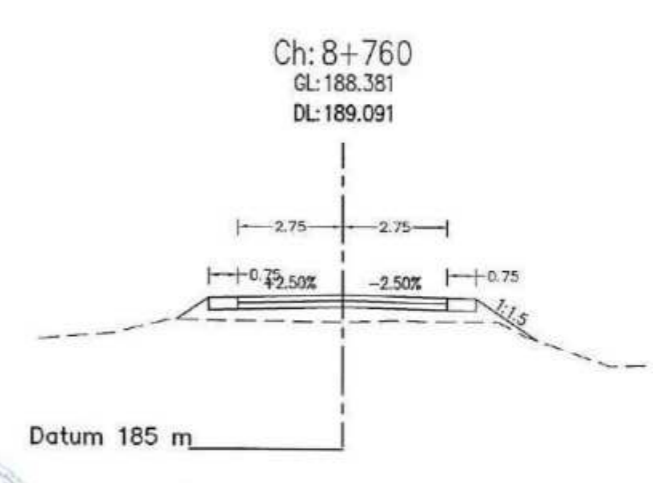
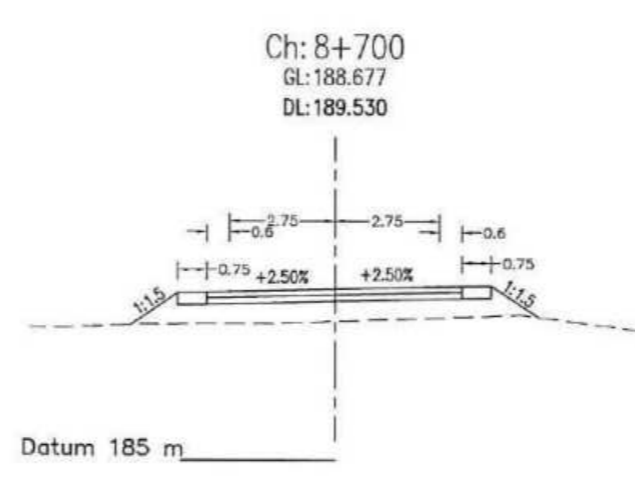
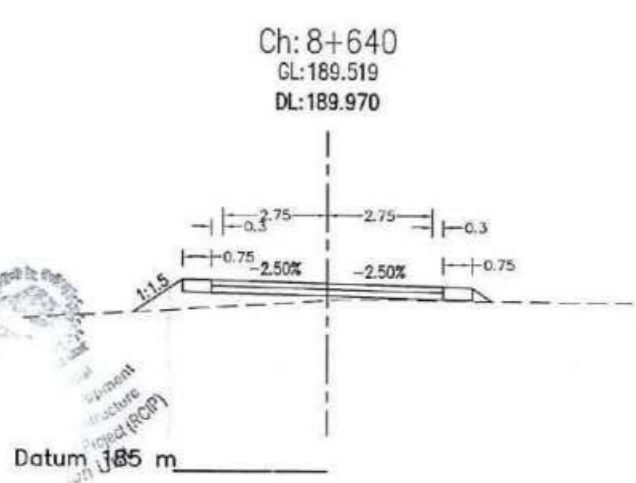
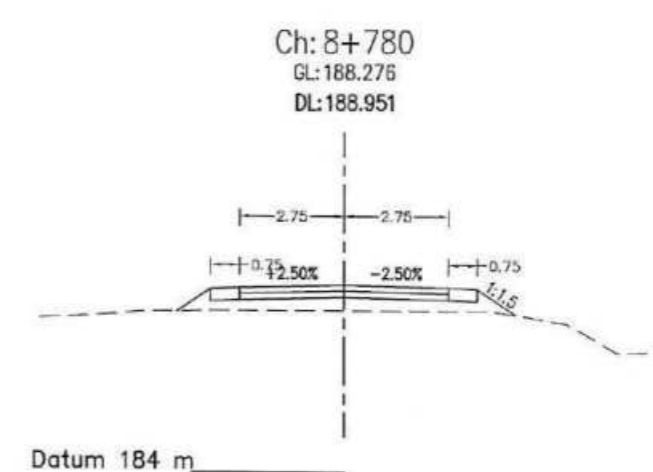
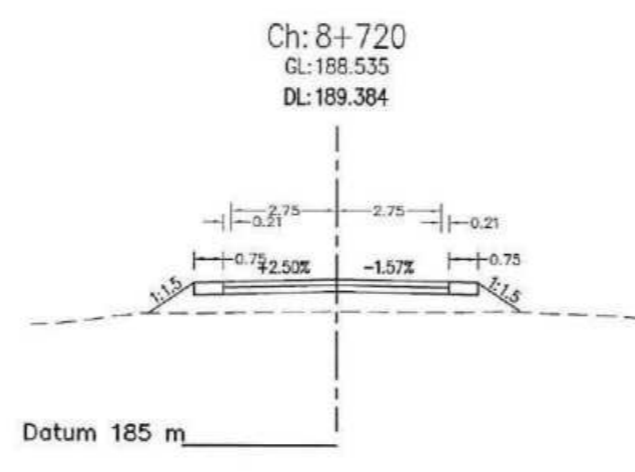
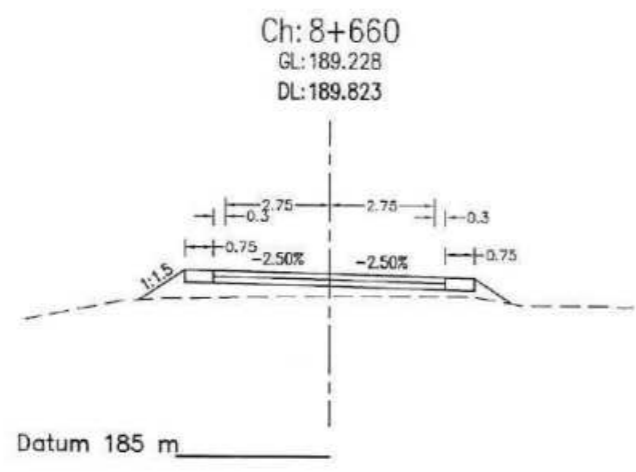
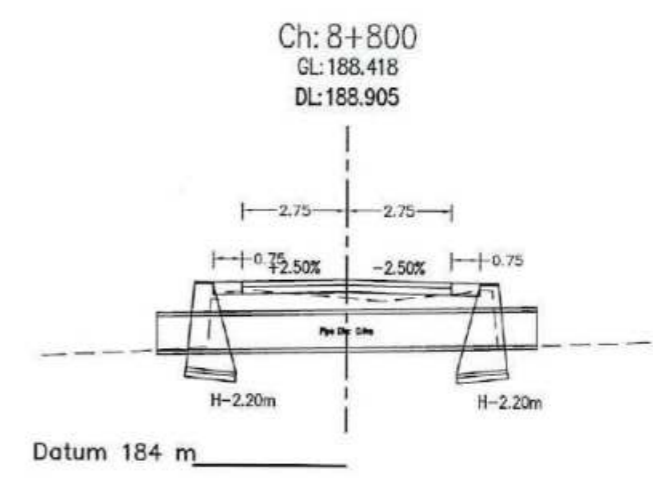
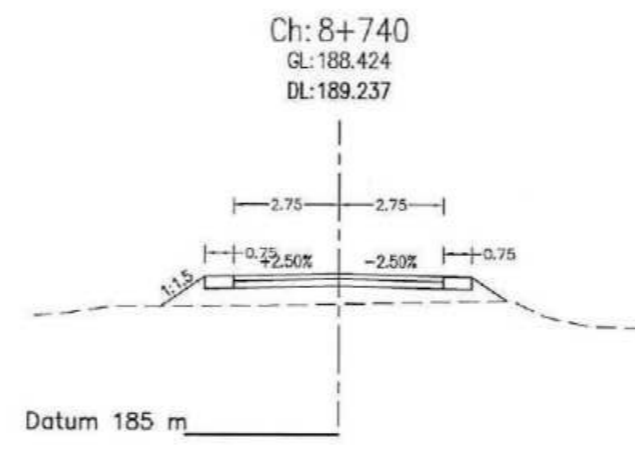
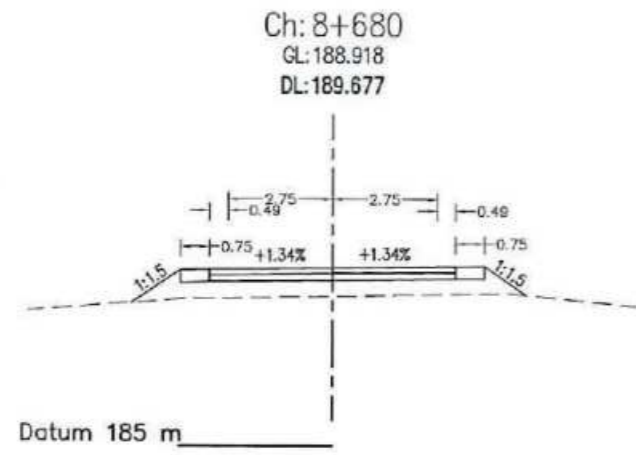
DATE:
DRG NO : CS
SHEET NO : 46

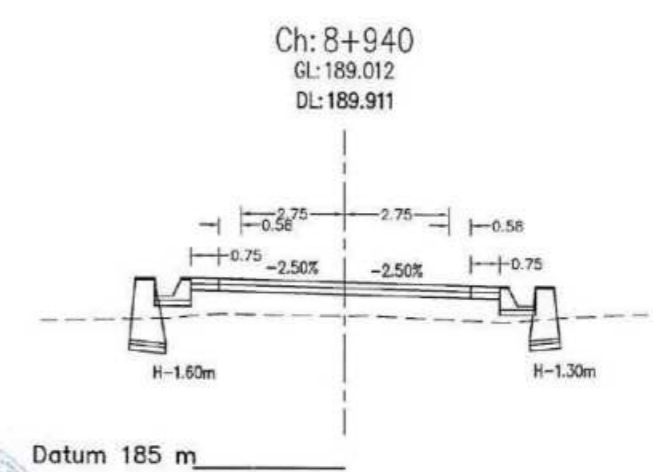
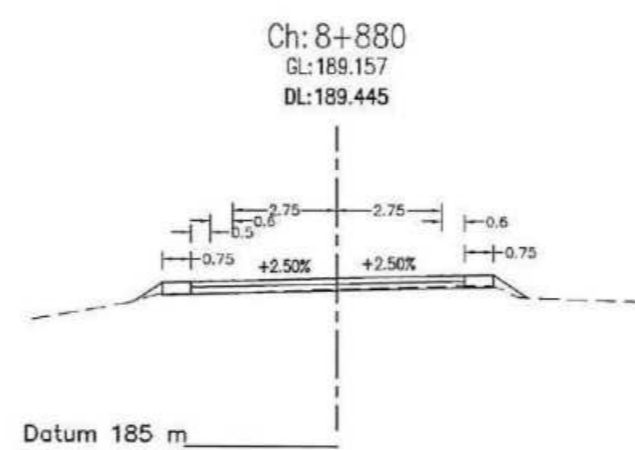
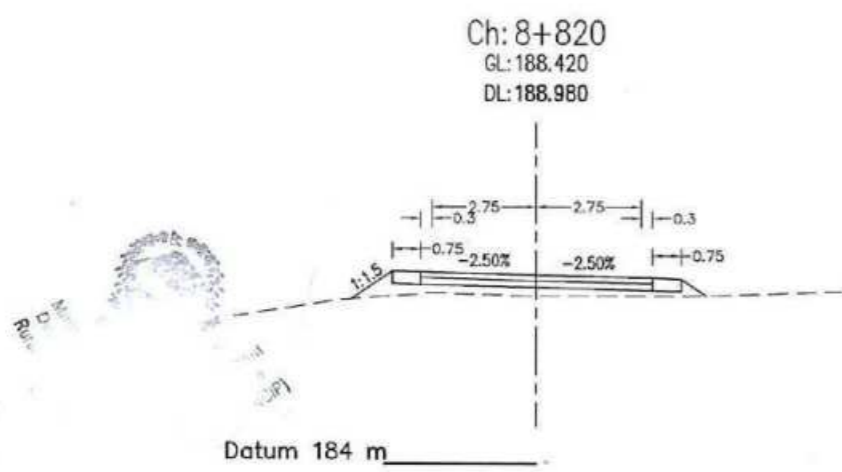
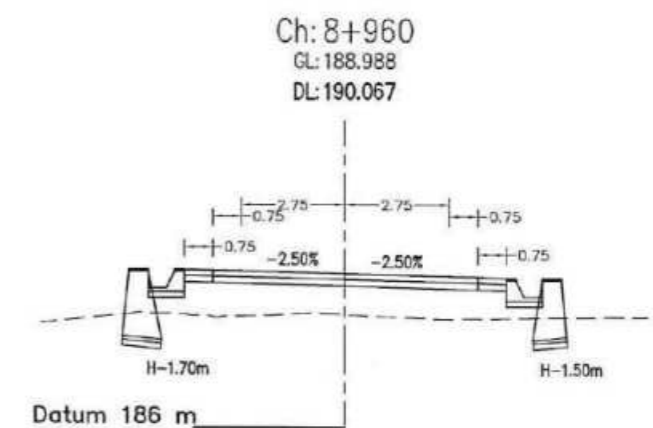
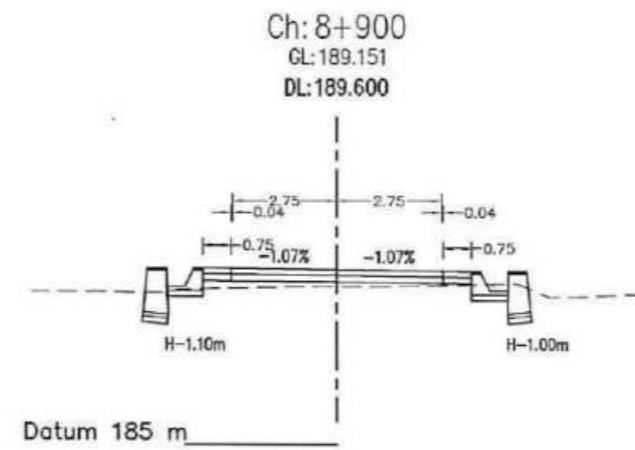
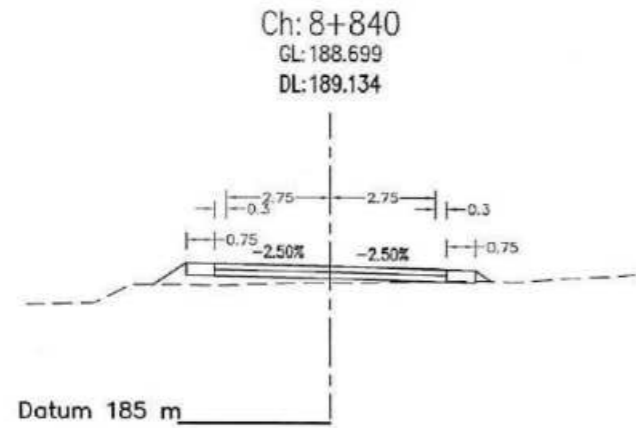
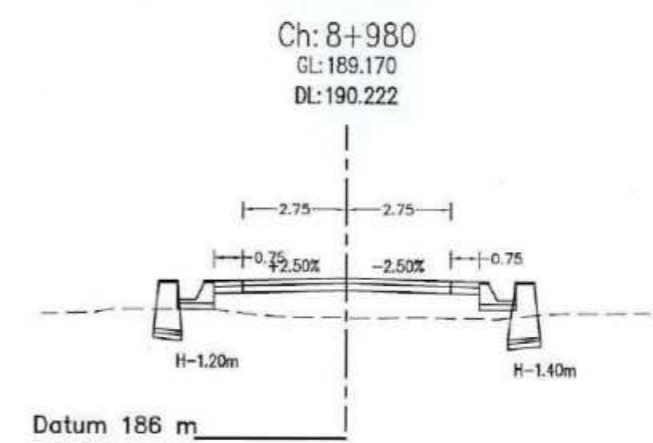
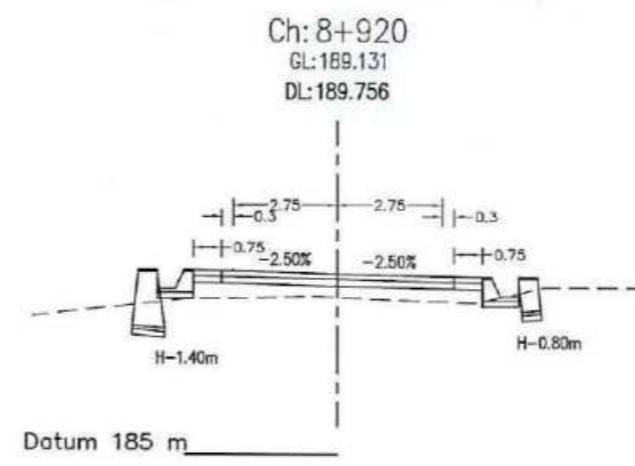
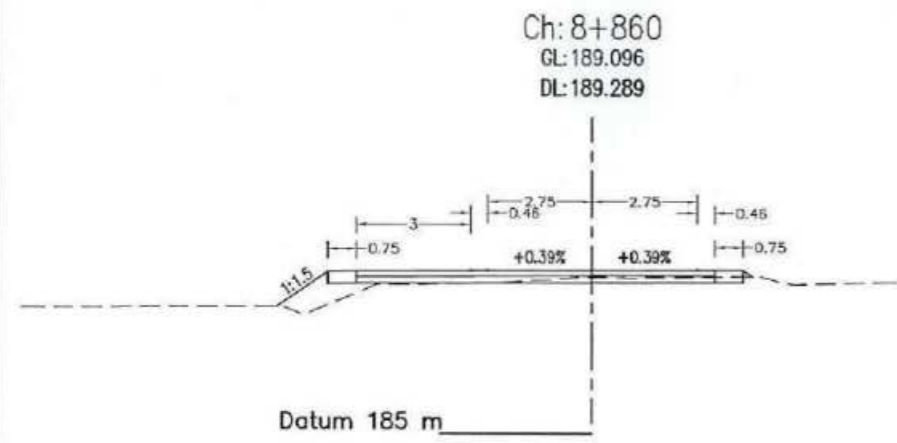


<p>Government of Nepal Ministry of Federal Affairs and General Administration Department of Local Infrastructure (DoLI) Rural Connectivity Improvement Project (RCIP) Project Coordination Unit (PCU) Pulchowk, Lalitpur</p>	<p>Consultant: Joint Venture of AVIYAAN - SOILTEST - CARD 254 Ekata Marg, New Baneshwor, Kathmandu-34, Nepal Phone: 977-1-4104307 Email: info@aviyaan.com</p>	<p>Jagadi - Dhansari - Ganeshman Chamath Na. Pa. (Province No - 2 Connecting) Road, Sindhuli</p>	DATE	REVISION	SIGNATURE	DESIGNED BY :	<p>SCALE 1:200 </p>	<p>Cross-Section 8+280-8+440</p>	DATE:
						DRAWN BY :			DRG NO: CS
						CHECKED BY :			SHEET NO: 47
						APPROVED BY :			



<p>Government of Nepal Ministry of Federal Affairs and General Administration Department of Local Infrastructure (DoLI) Rural Connectivity Improvement Project (RCIP) Project Coordination Unit (PCU) Pulchowk, Lalitpur</p>	<p>Consultant: Joint Venture of AVIYAAN - SOILTEST - CARD 254 Ekata Marg, New Baneshwar, Kathmandu-34, Nepal Phone: 977-1-4104307 Email: info@aviyaan.com</p>	<p>Jagadi - Dhansari - Ganeshman Charnath Na. Pa. (Province No - 2 Connecting) Road, Sindhuli</p>	DATE	REVISION	SIGNATURE	DESIGNED BY :	<p>SCALE 07G 1:200 </p>	<p>Cross-Section 8+460-8+620</p>	DATE:
						DRAWN BY :			DRG NO : CS
						CHECKED BY :			SHEET NO : 48
						APPROVED BY :			



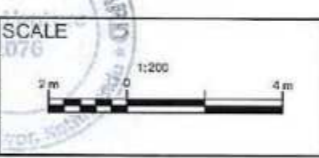


Government of Nepal
Ministry of Federal Affairs and General Administration
Department of Local Infrastructure (DoLI)
Rural Connectivity Improvement Project (RCIP)
Project Coordination Unit (PCU)
Pulchowk, Lalitpur

Consultant:
Joint Venture of
AVIYAAN - SOILTEST - CARD
254 Ekata Marg, New Baneshwor,
Kathmandu-34, Nepal
Phone: 977-1-4104307
Email: info@aviyaan.com

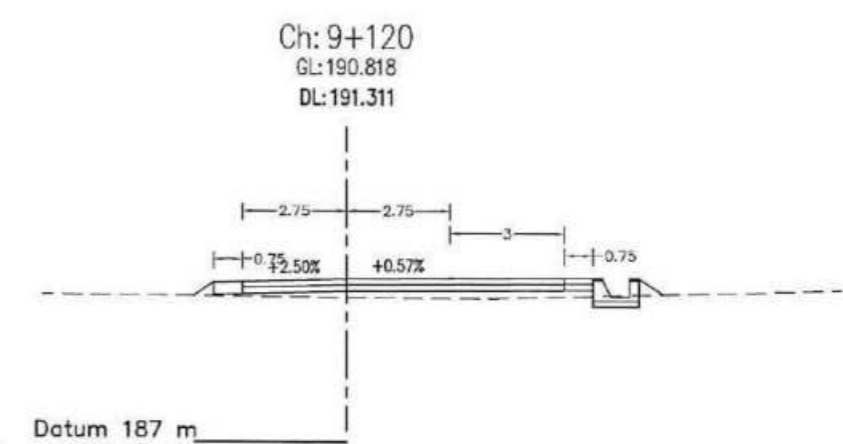
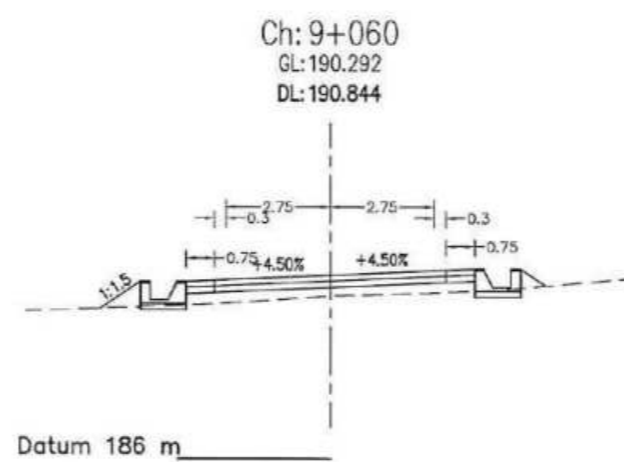
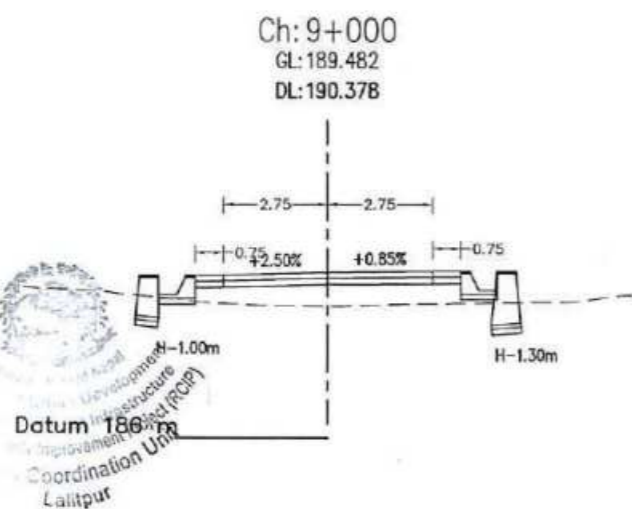
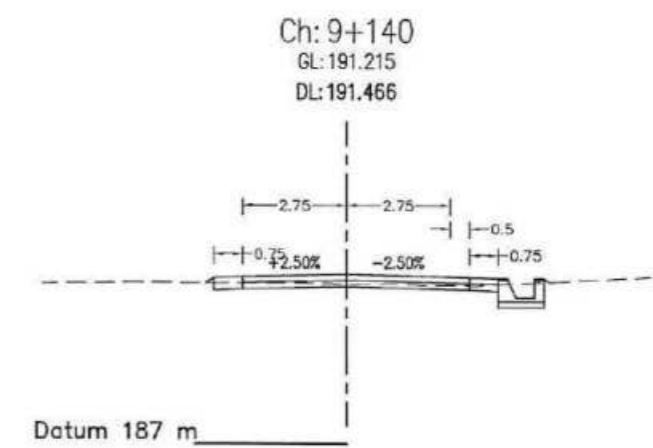
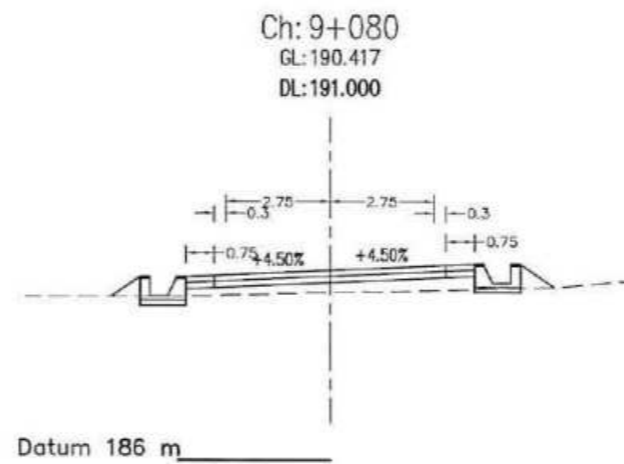
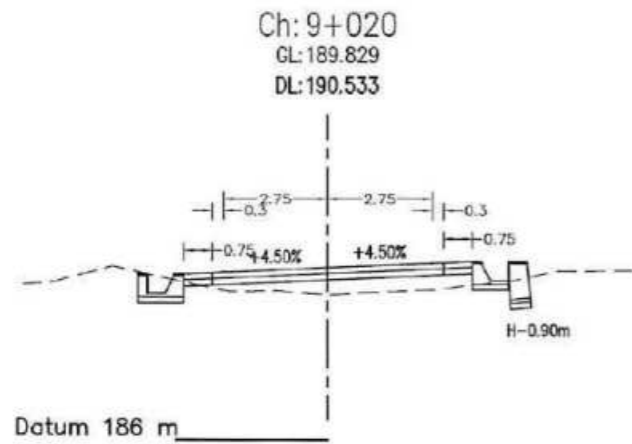
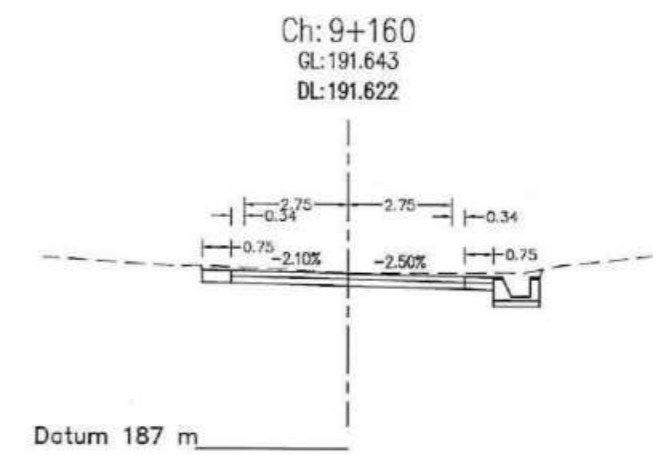
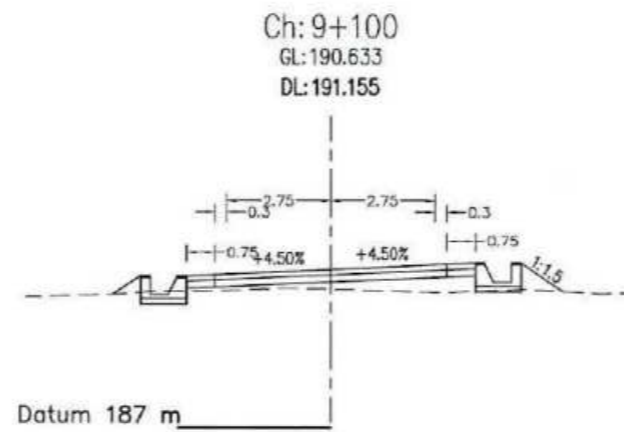
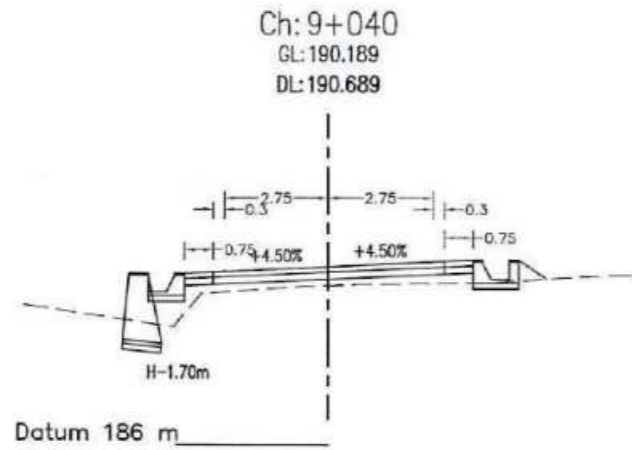
Jagadi - Dhansari -
Ganeshman Charnath Na. Pa.
(Province No - 2 Connecting)
Road, Sindhuli

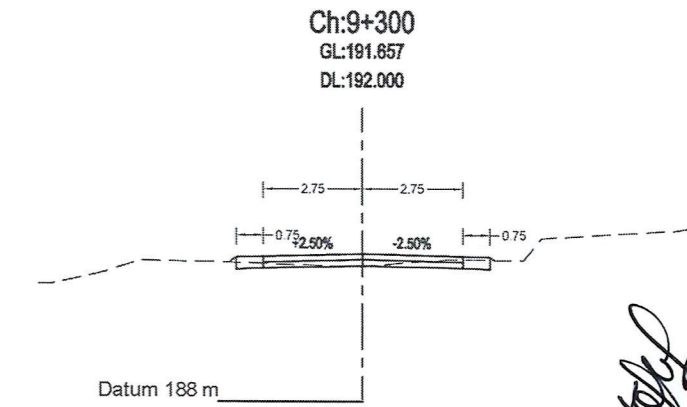
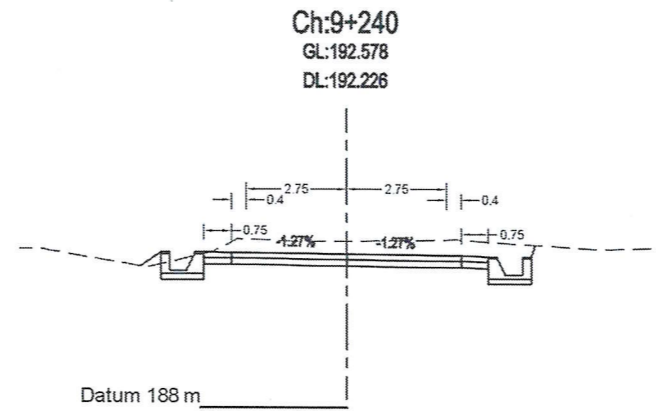
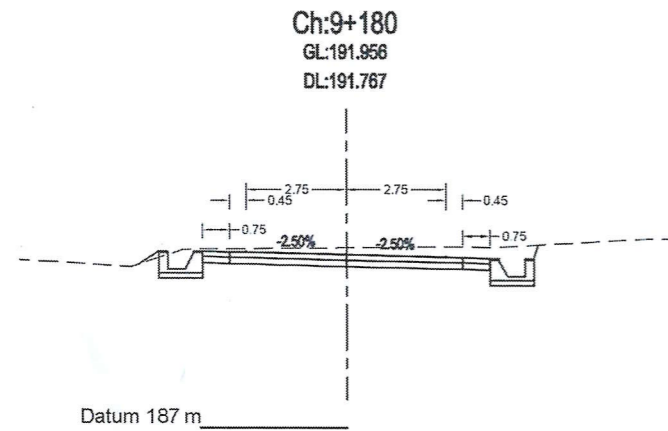
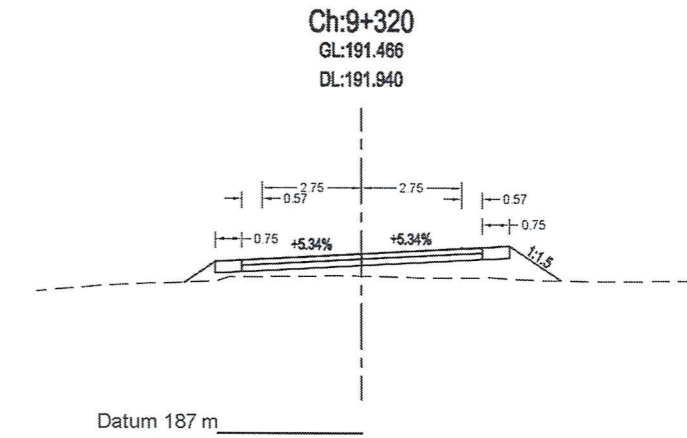
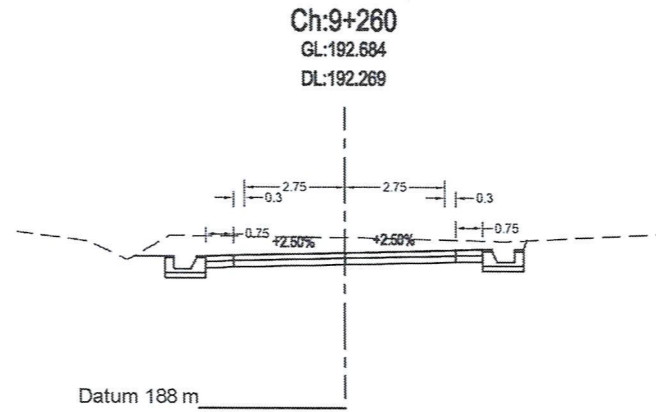
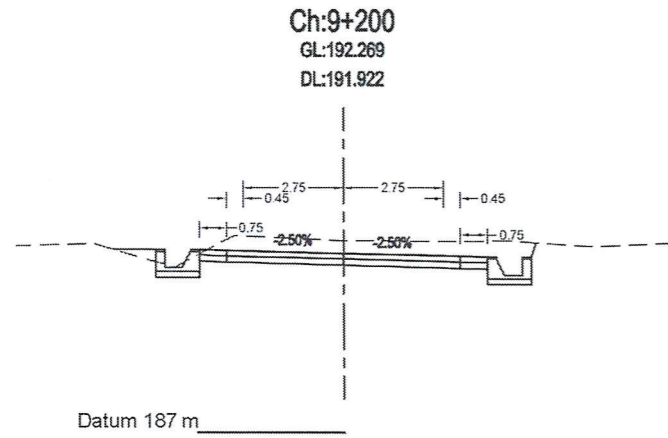
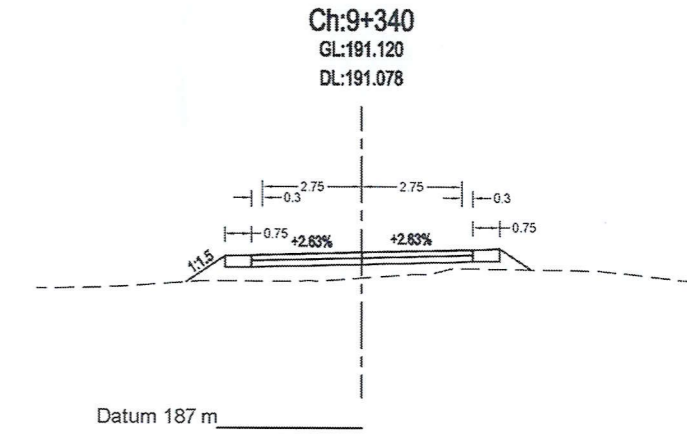
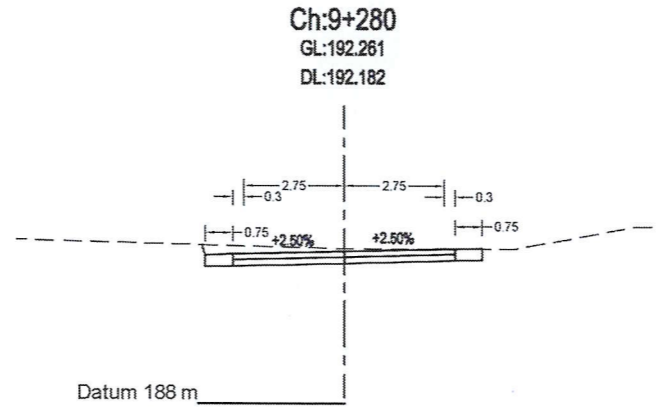
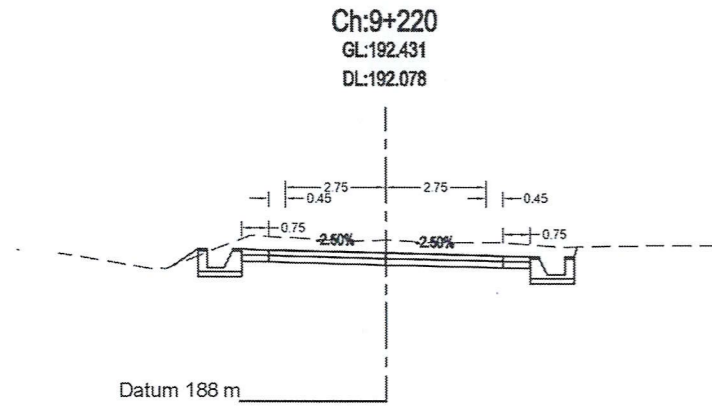
DATE	REVISION	SIGNATURE	DESIGNED BY :	DRAWN BY :	CHECKED BY :	APPROVED BY :



Cross-Section
8+820-8+980

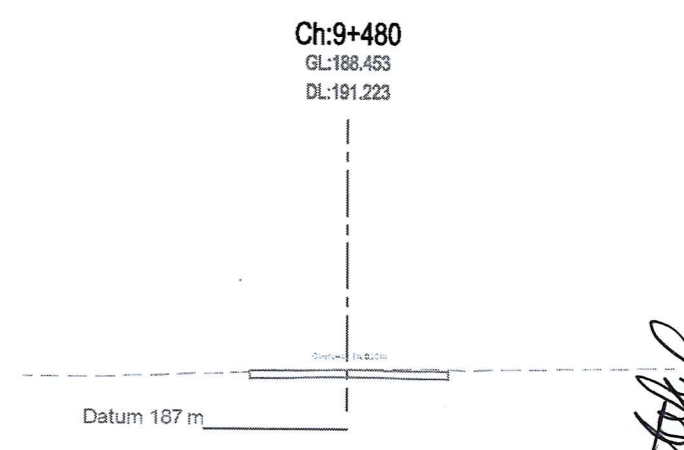
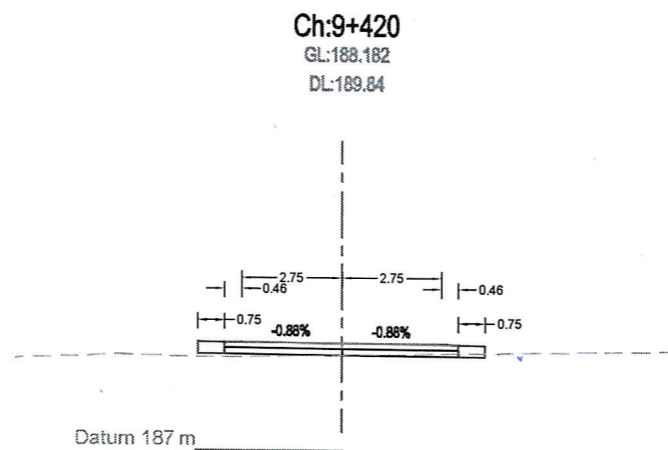
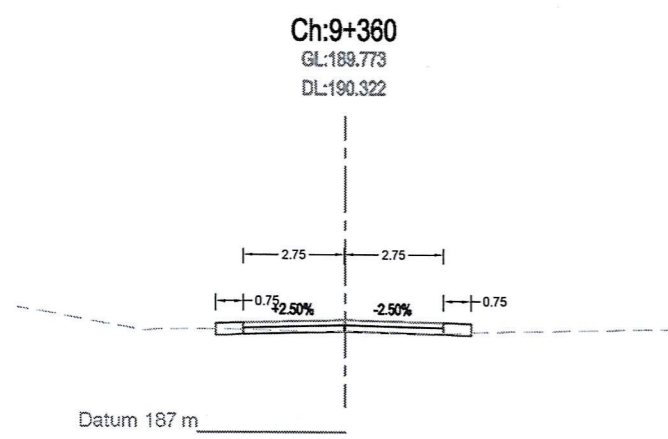
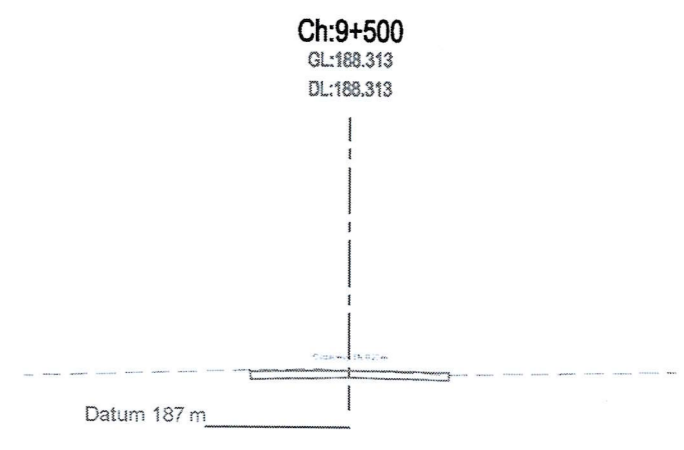
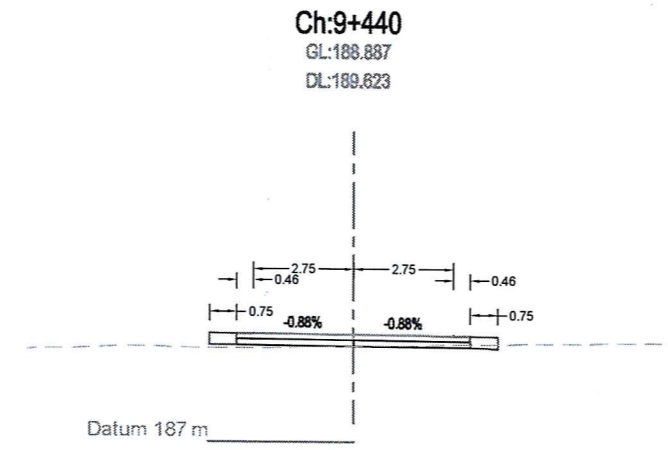
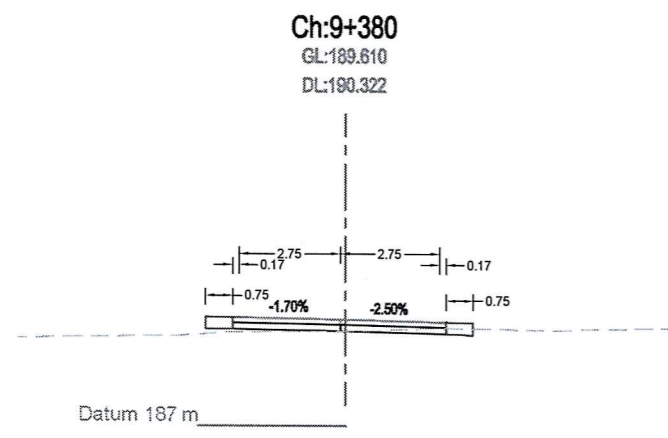
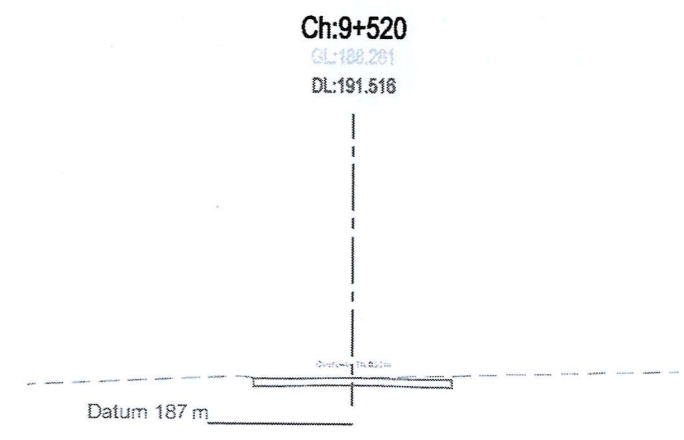
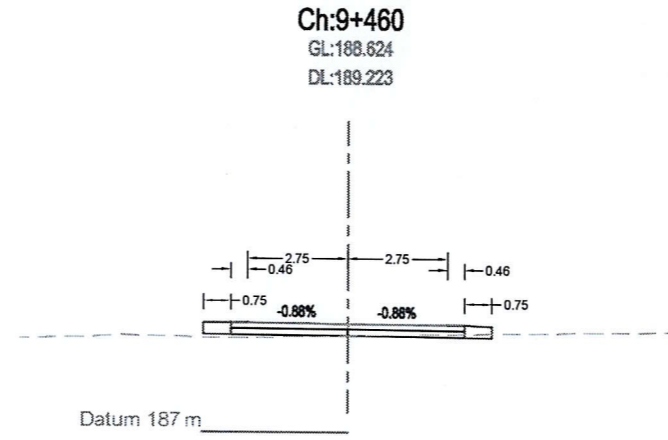
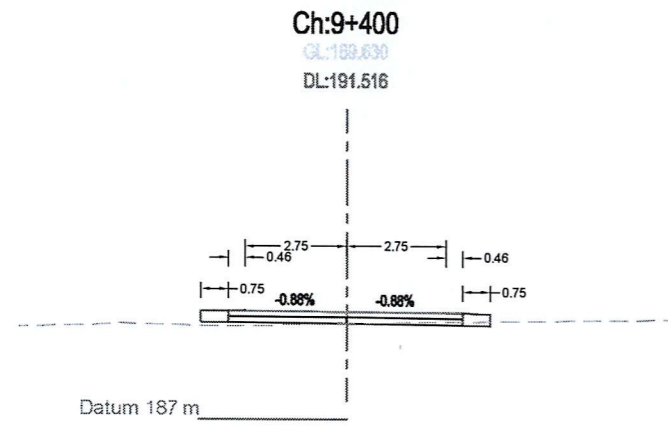
DATE:
DRG NO : CS
SHEET NO : 50





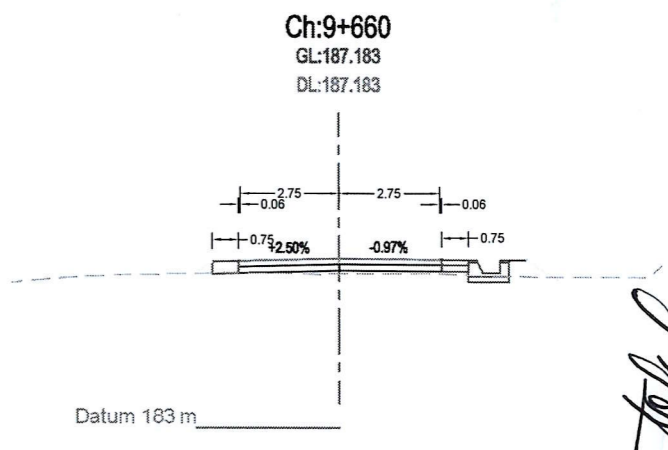
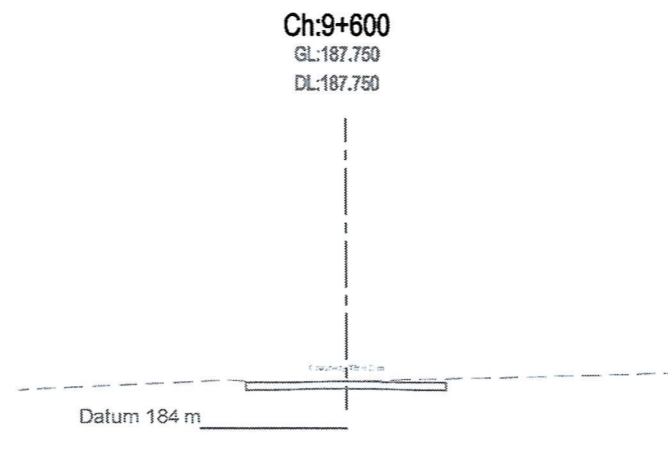
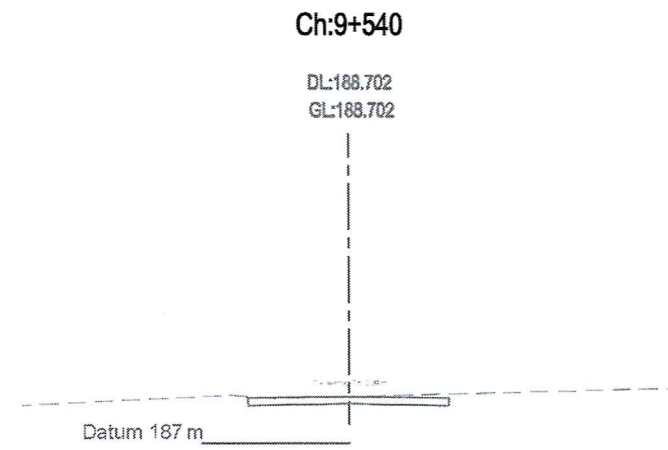
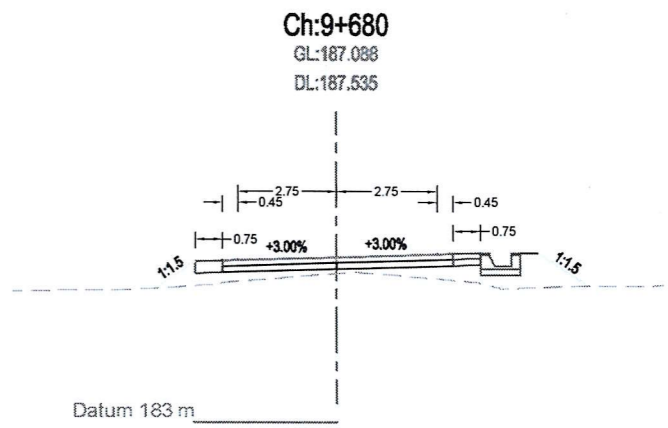
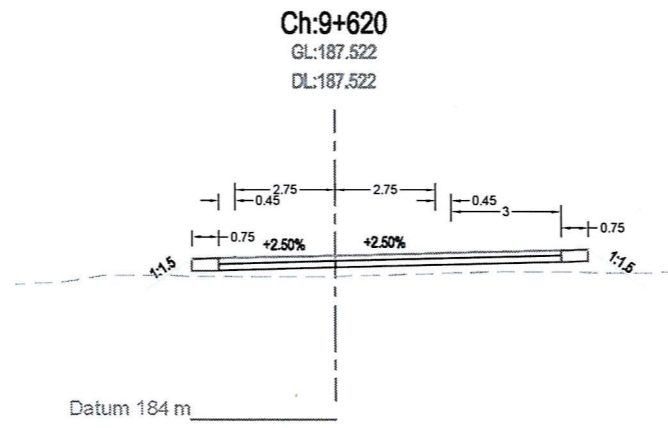
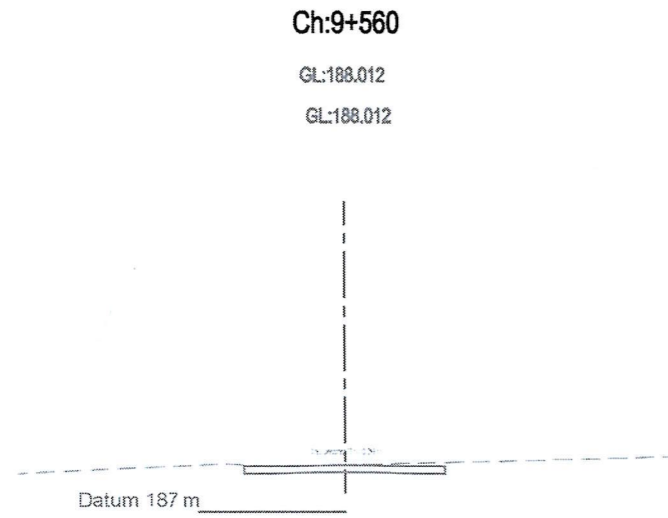
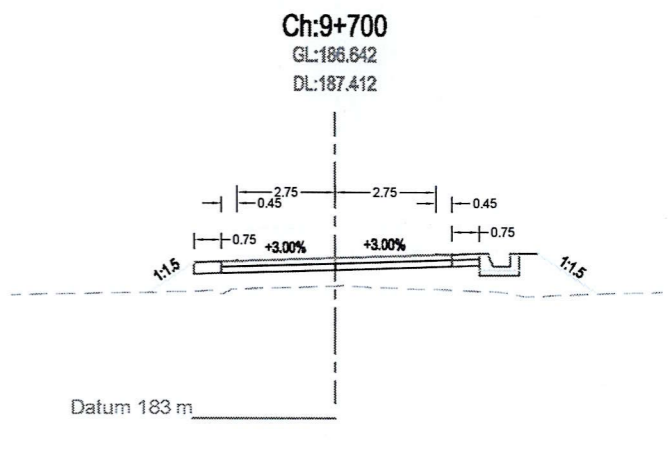
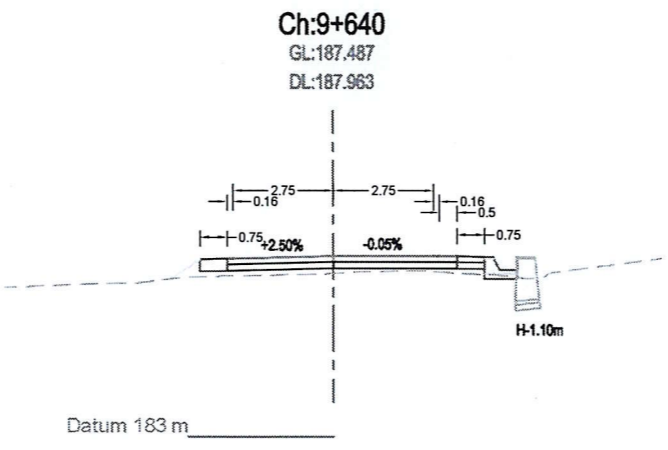
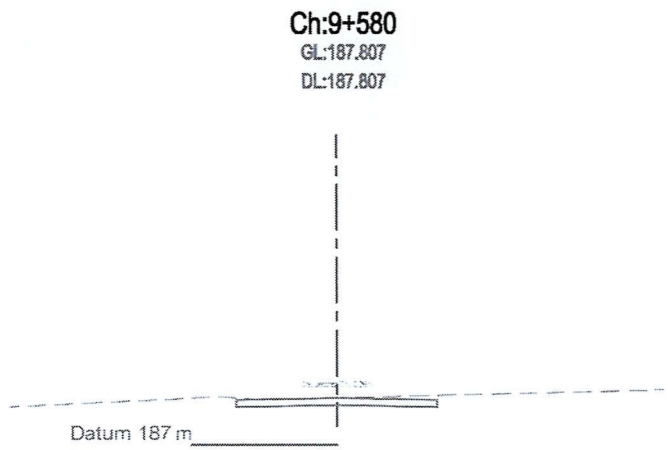
Handwritten signature and initials

<p>Government of Nepal Ministry of Federal Affairs and General Administration Department of Local Infrastructure (DoLI) Rural Connectivity Improvement Project (RCIP) Project Coordination Unit (PCU) Pulchowk, Lalitpur</p>	<p>Consultant: Joint Venture of AVIYAAN - SOILTEST - CARD 254 Ekata Marg, New Baneshwor, Kathmandu-34, Nepal Phone: 977-1-4104307 Email: info@aviyaan.com</p>	<p>Jagadi - Dhansari - Ganeshman Charnath Na. Pa. (Province No - 2 Connecting) Road, Sindhuli</p>	DATE	REVISION	SIGNATURE	DESIGNED BY :	<p>SCALE</p>	<p>Cross-Section 9+180-9+340</p>	DATE:
						DRAWN BY :			DRG NO : CS
						CHECKED BY :			SHEET NO :
						APPROVED BY :			



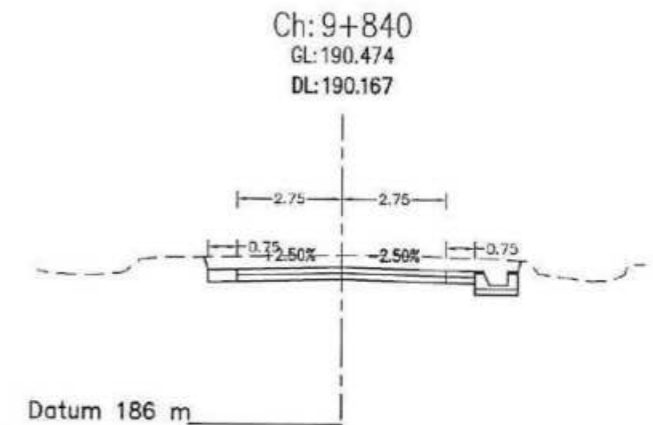
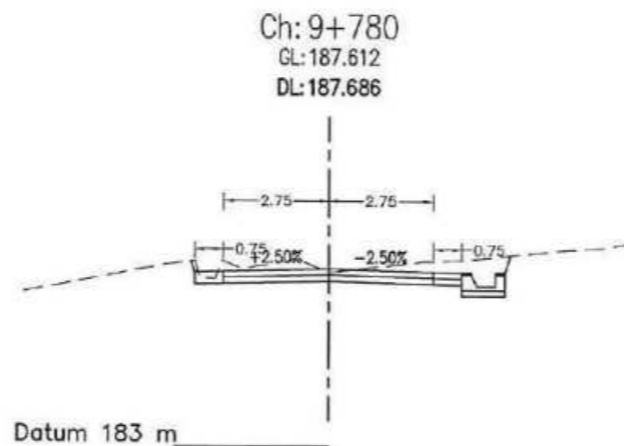
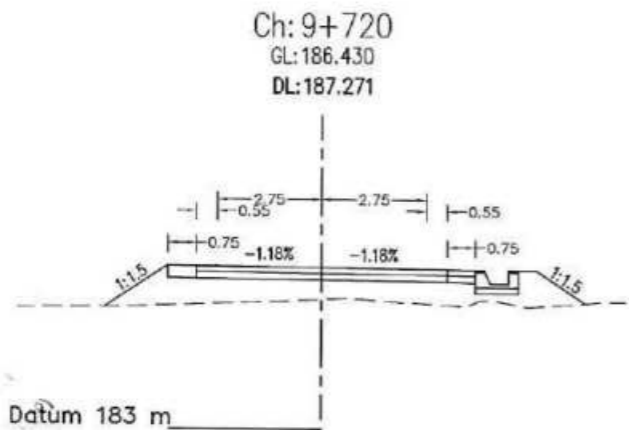
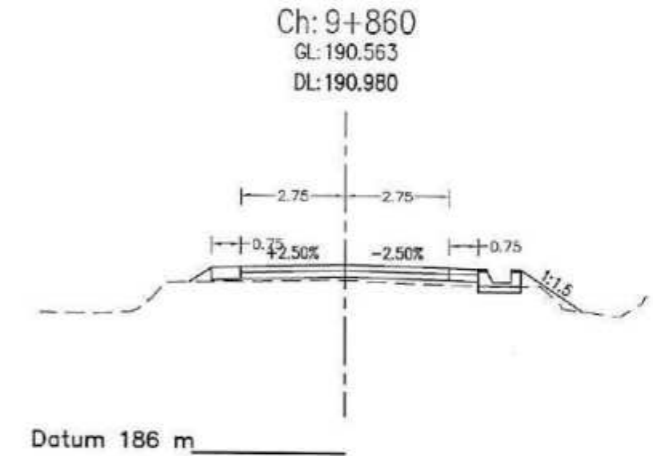
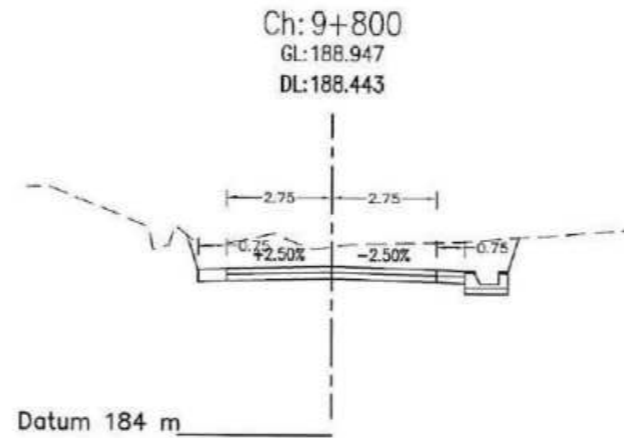
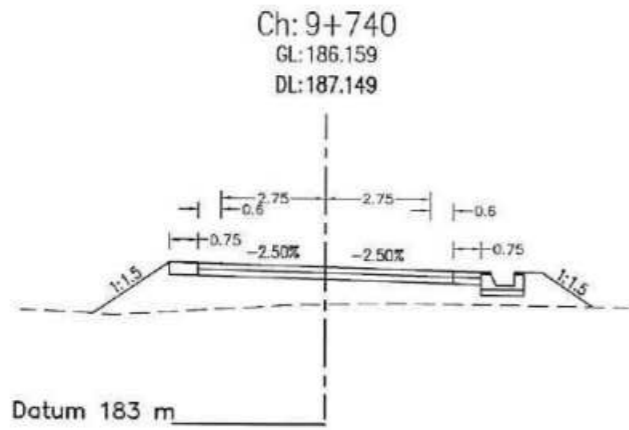
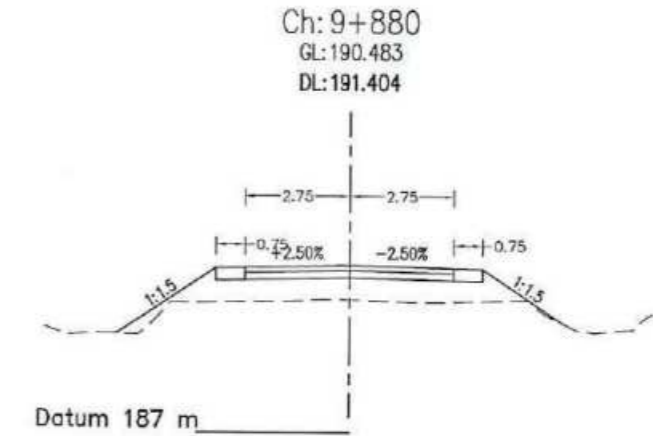
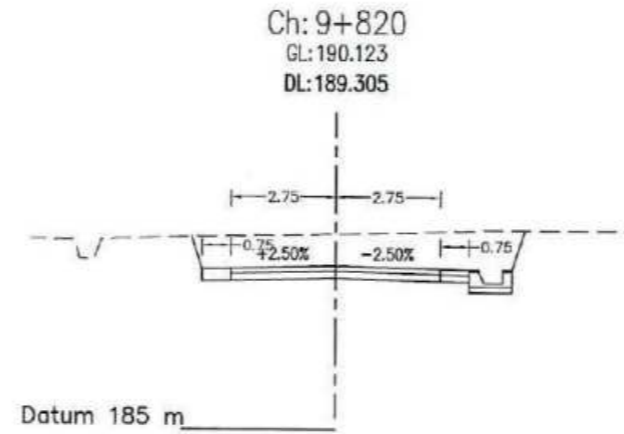
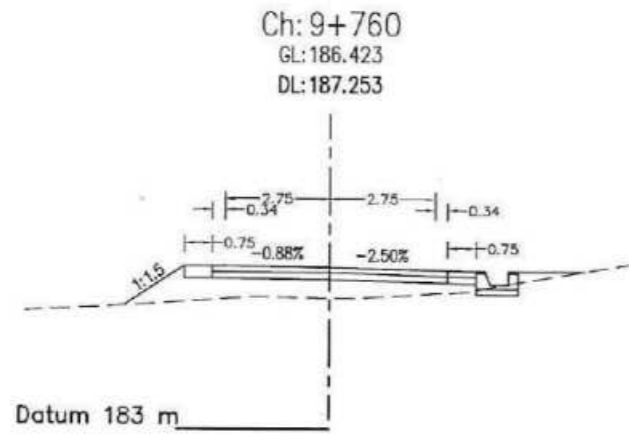
Handwritten signature and initials

<p>Government of Nepal Ministry of Federal Affairs and General Administration Department of Local Infrastructure (DoLI) Rural Connectivity Improvement Project (RCIP) Project Coordination Unit (PCU) Pulchowk, Lalitpur</p>	<p>Consultant: Joint Venture of AVIYAAN - SOILTEST - CARD 254 Ekata Marg, New Baneshwor, Kathmandu-34, Nepal Phone: 977-1-4104307 Email: info@aviyaan.com</p>	<p>Jagadi - Dhansari - Ganeshman Charnath Na. Pa. (Province No - 2 Connecting) Road, Sindhuli</p>	DATE	REVISION	SIGNATURE	DESIGNED BY :	<p>SCALE</p>	<p>Cross-Section 9+360-9+520</p>	DATE:
						DRAWN BY :			DRG NO : CS
						CHECKED BY :			SHEET NO :
						APPROVED BY :			

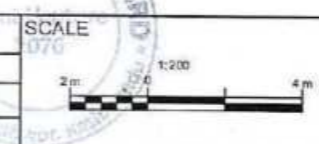


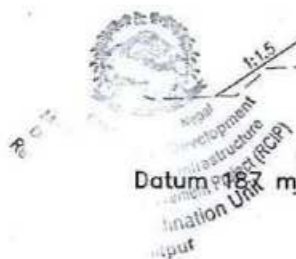
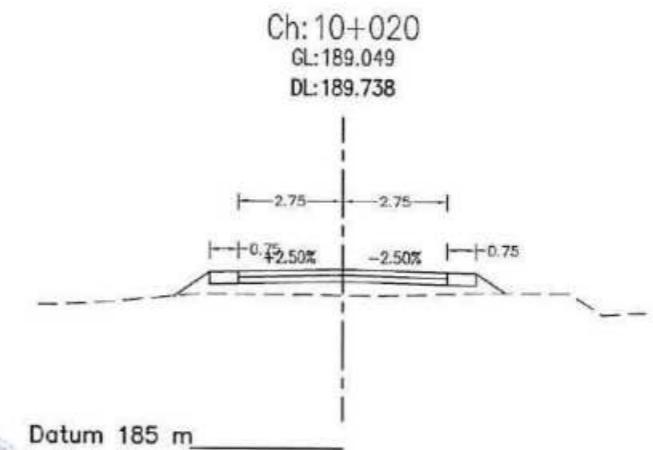
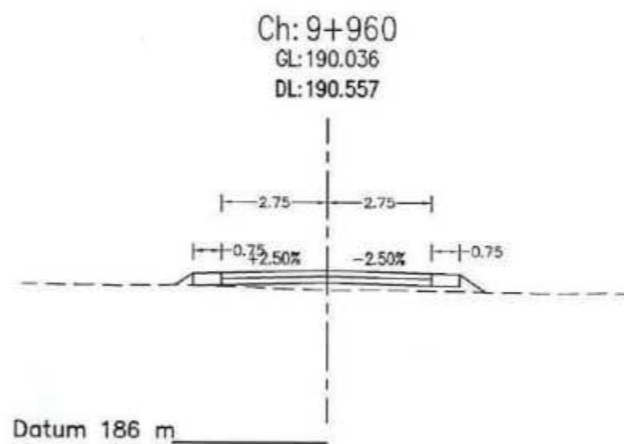
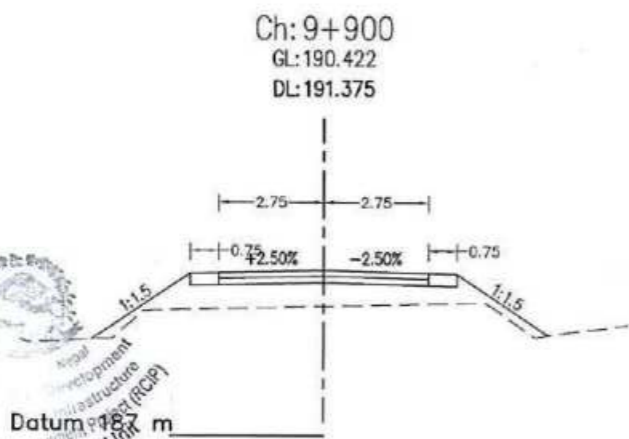
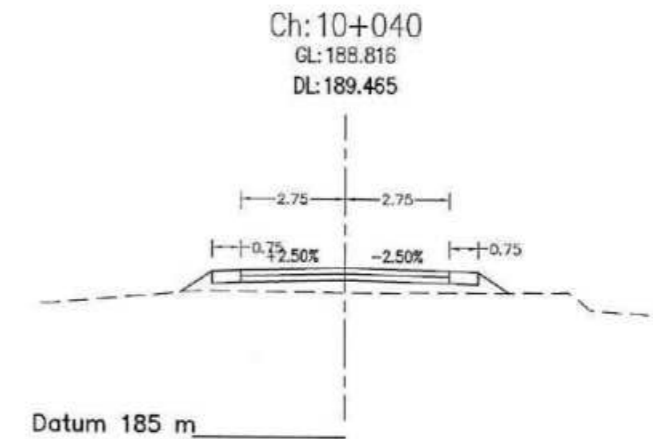
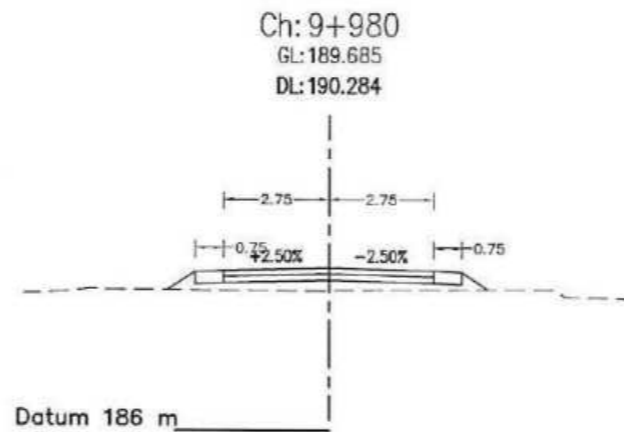
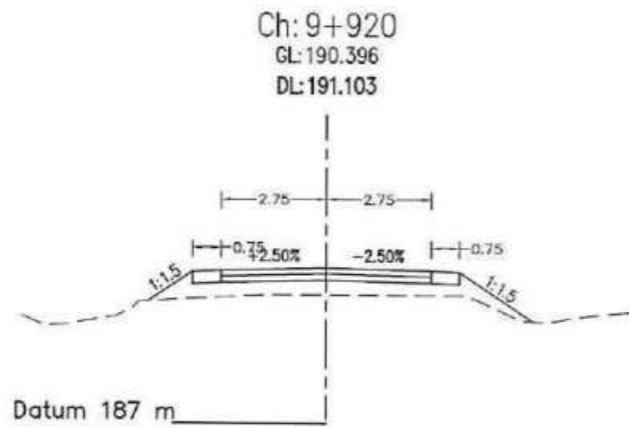
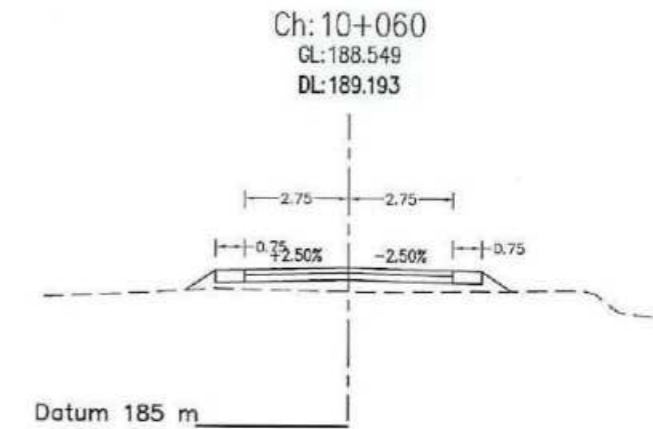
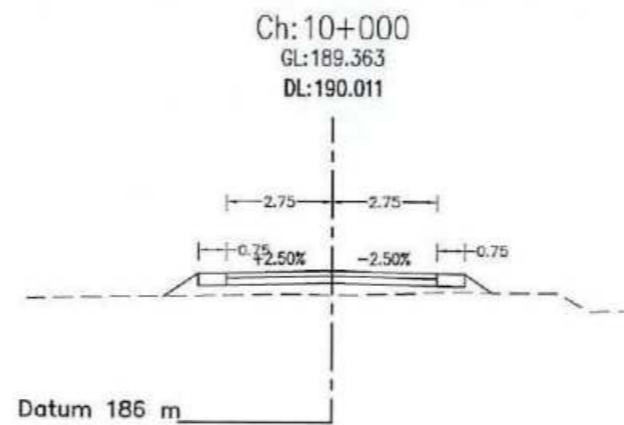
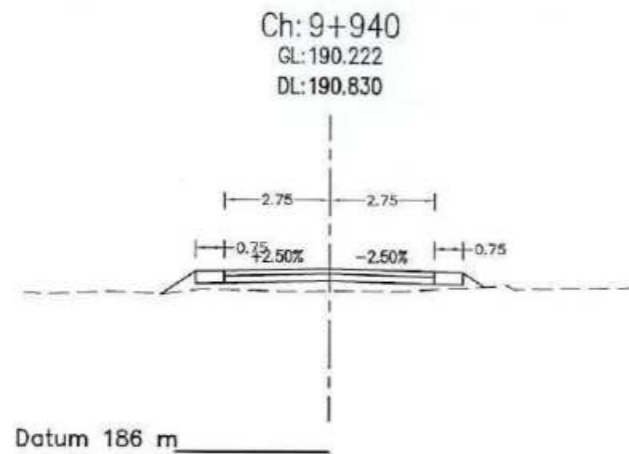
Handwritten signature

<p>Government of Nepal Ministry of Federal Affairs and General Administration Department of Local Infrastructure (DoLI) Rural Connectivity Improvement Project (RCIP) Project Coordination Unit (PCU) Pulchowk, Lalitpur</p>	<p>Consultant: Joint Venture of AVIYAAN - SOILTEST - CARD 254 Ekata Marg, New Baneshwor, Kathmandu-34, Nepal Phone: 977-1-4104307 Email: info@avivaan.com</p>	<p>Jagadi - Dhansari - Ganeshman Charnath Na. Pa. (Province No - 2 Connecting) Road, Sindhuli</p>	DATE	REVISION	SIGNATURE	DESIGNED BY :	<p>SCALE</p>	<p>Cross-Section 9+540-9+700</p>	DATE:
						DRAWN BY :			DRG NO: CS
						CHECKED BY :			SHEET NO:
						APPROVED BY :			



DATE	REVISION	SIGNATURE	DESIGNED BY :
			DRAWN BY :
			CHECKED BY :
			APPROVED BY :



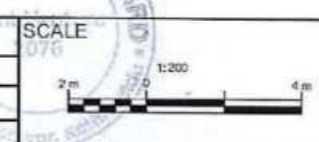


Government of Nepal
Ministry of Federal Affairs and General Administration
Department of Local Infrastructure (DoLI)
Rural Connectivity Improvement Project (RCIP)
Project Coordination Unit (PCU)
Pulchowk, Lalitpur

Consultant:
Joint Venture of
AVIYAAN - SOILTEST - CARD
254 Ekata Marg, New Baneshwor,
Kathmandu-34, Nepal
Phone: 977-1-4104307
Email: info@aviyaan.com

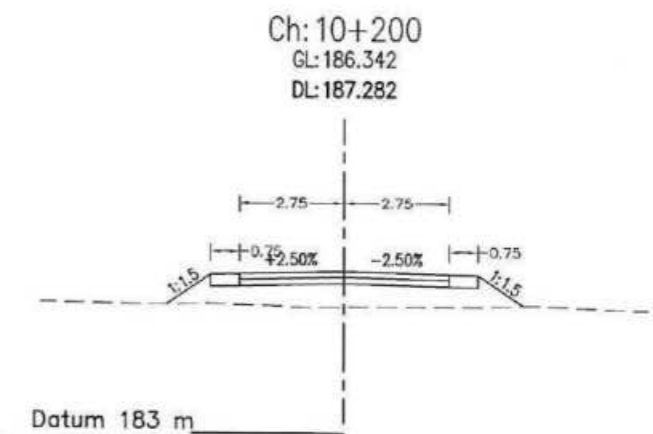
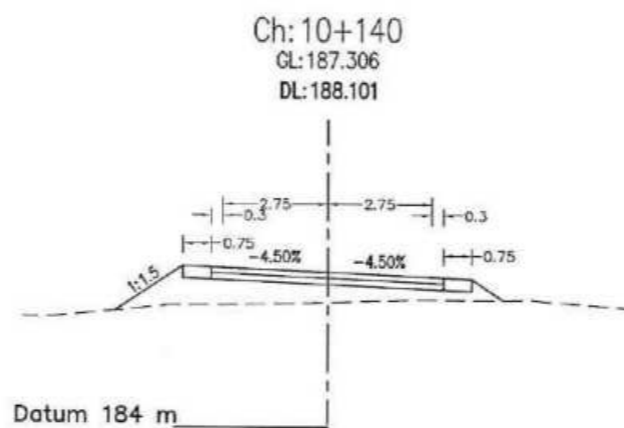
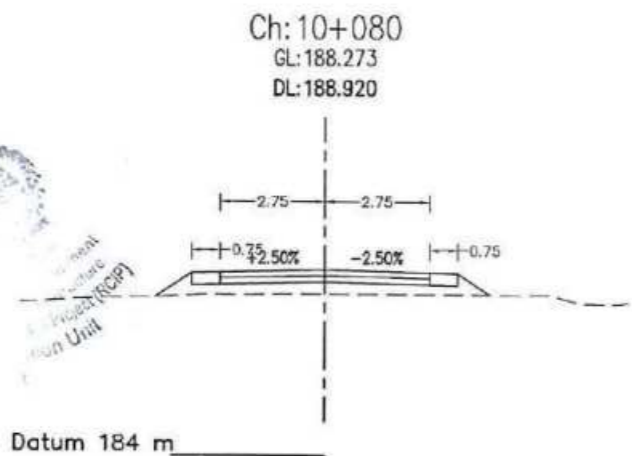
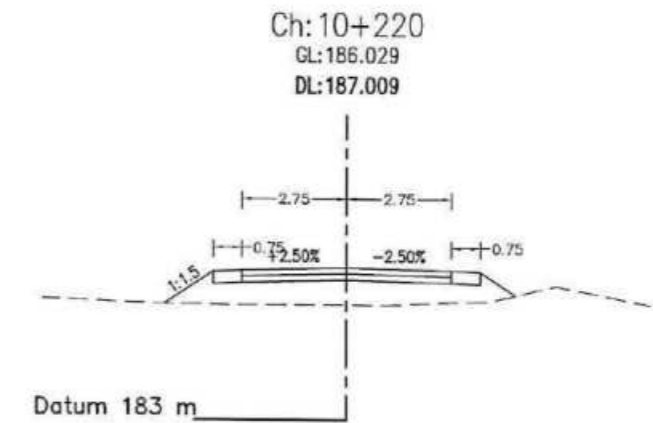
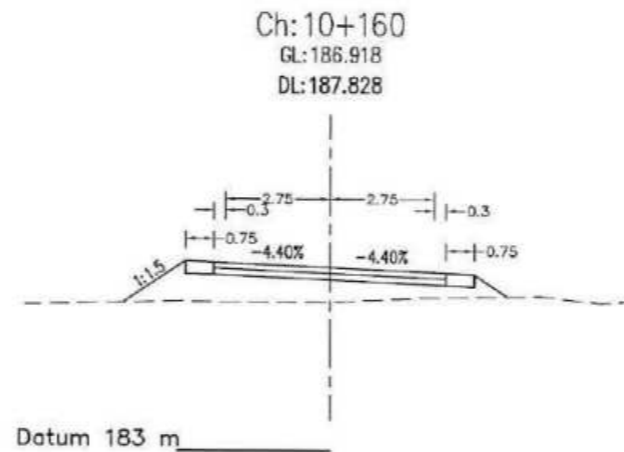
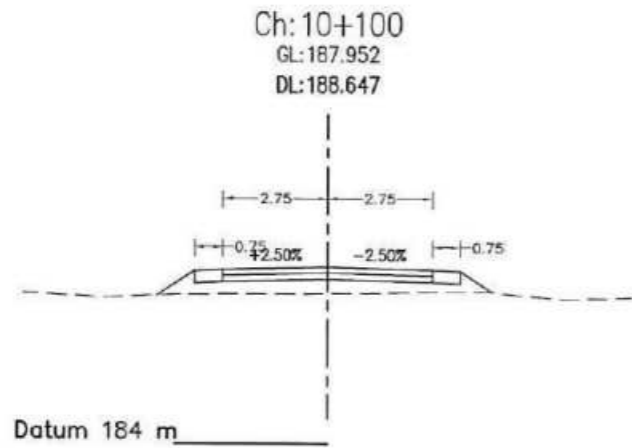
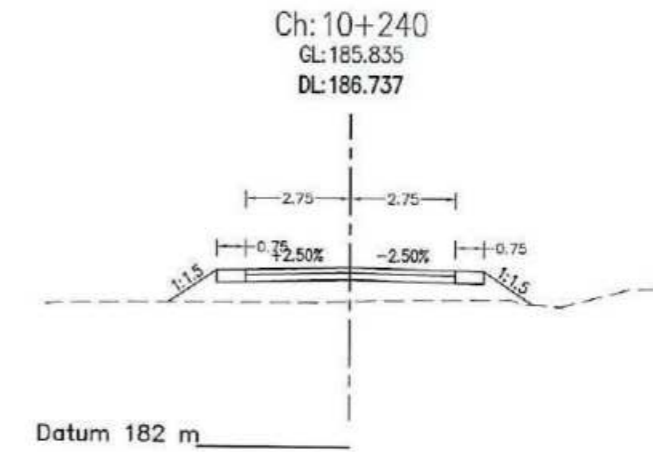
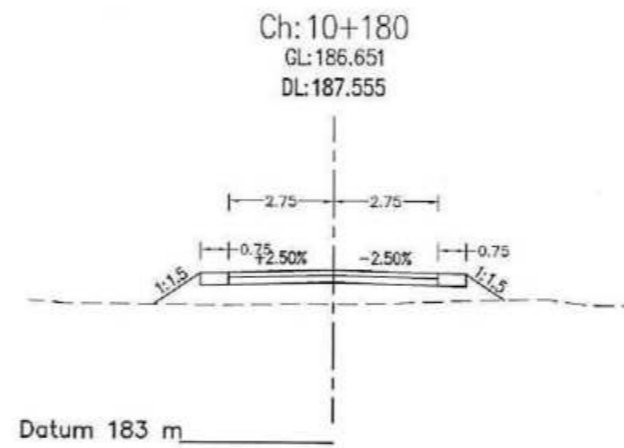
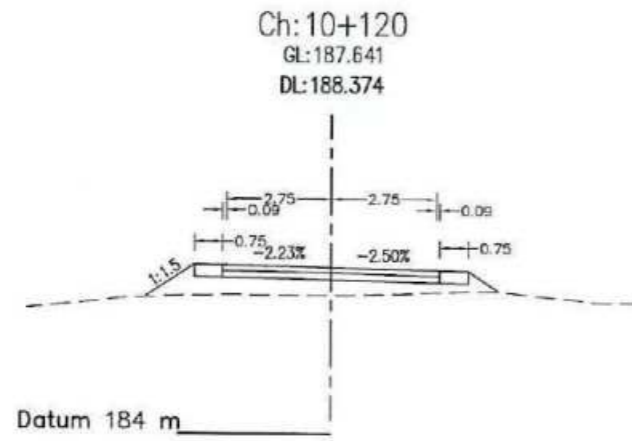
Jagadi - Dhansari -
Ganeshman Chamath Na. Pa.
(Province No - 2 Connecting)
Road, Sindhuli

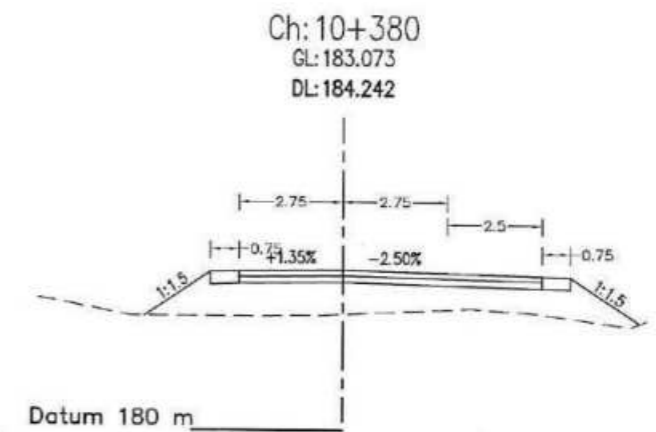
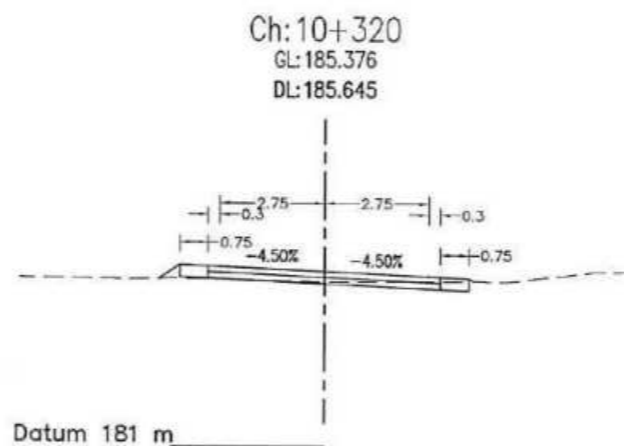
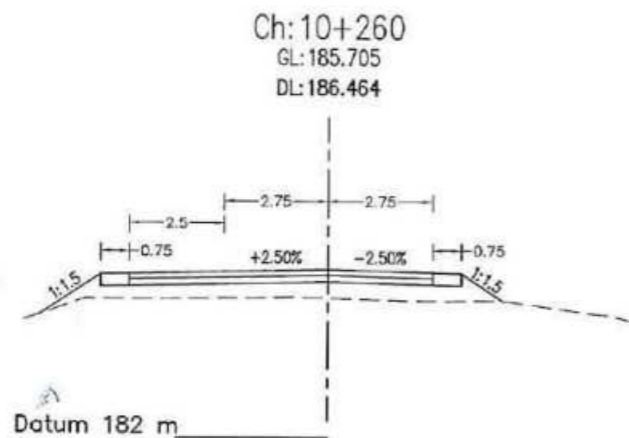
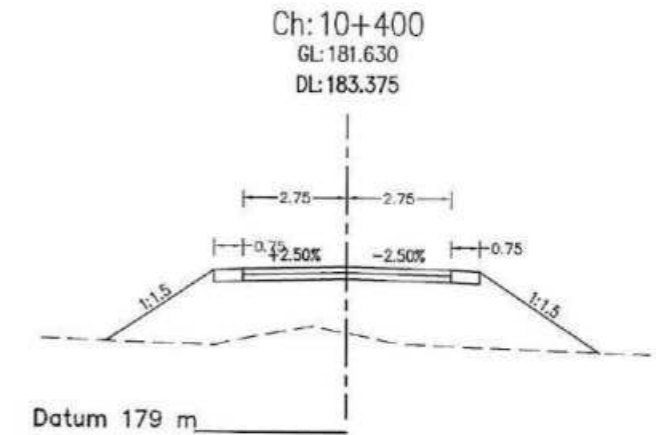
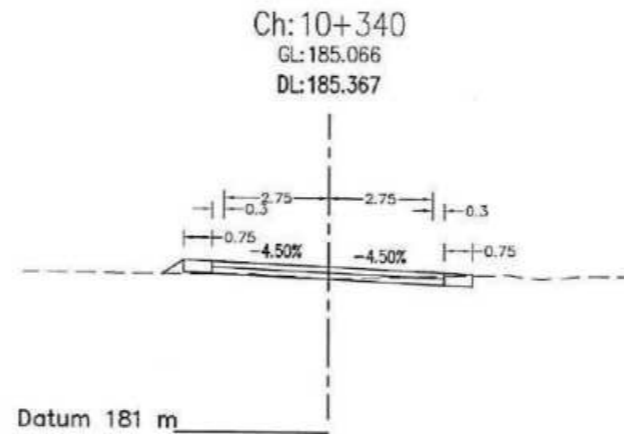
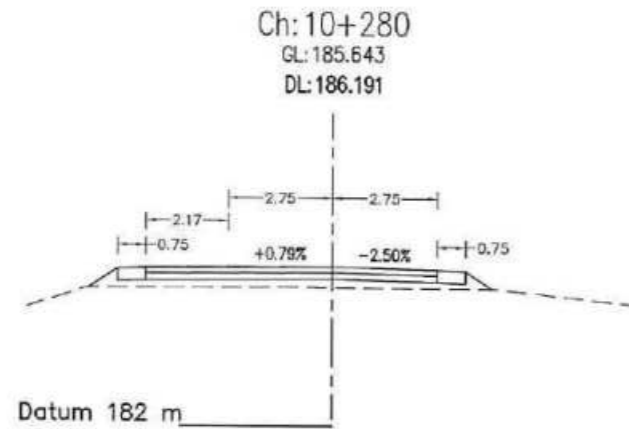
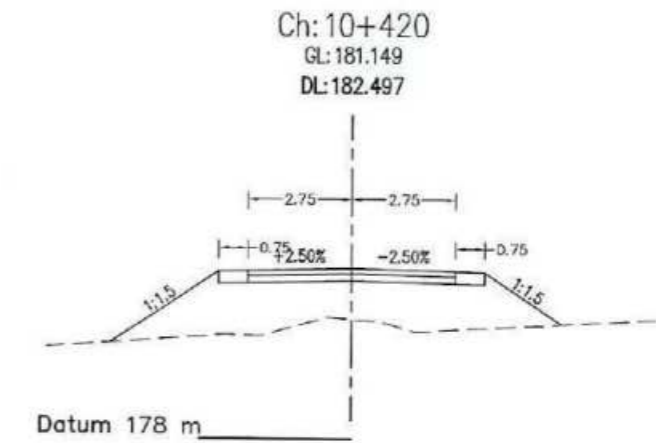
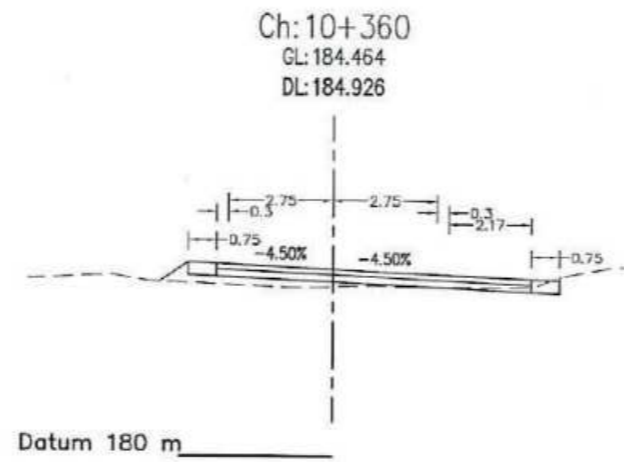
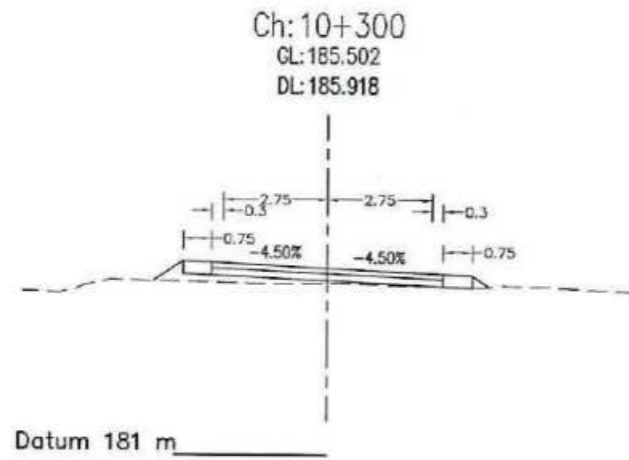
DATE	REVISION	SIGNATURE	DESIGNED BY :
			W.B.
			DRAWN BY :
			CHECKED BY :
			APPROVED BY :

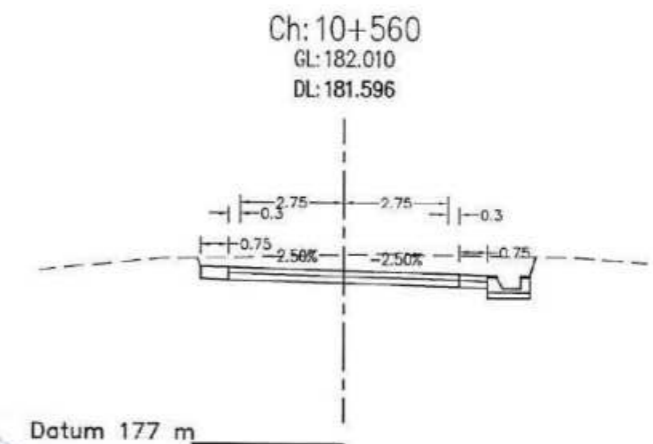
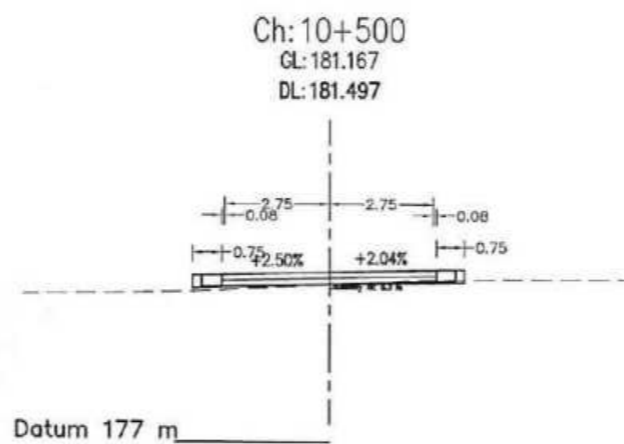
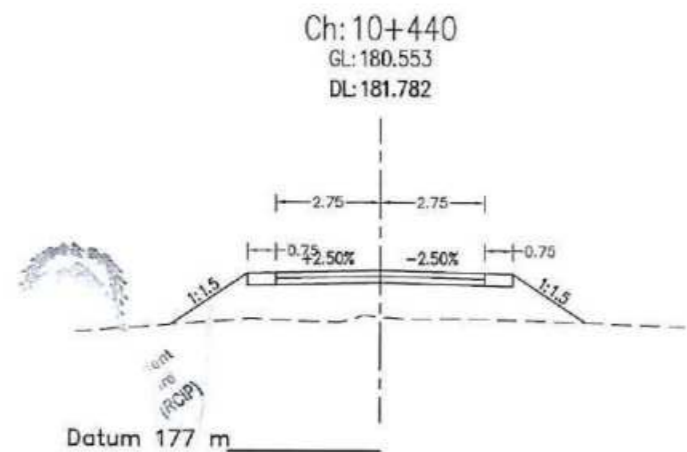
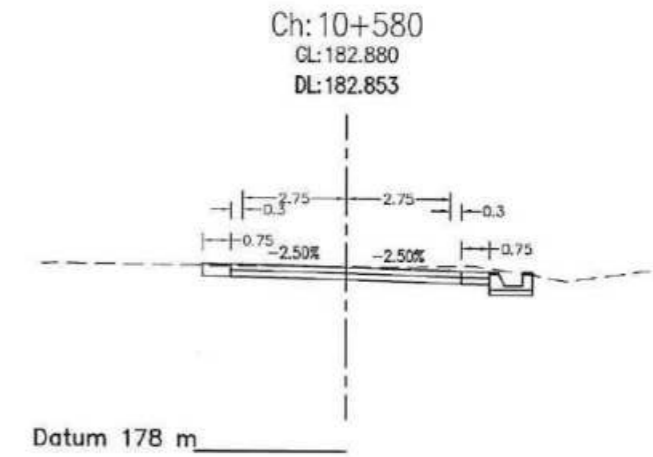
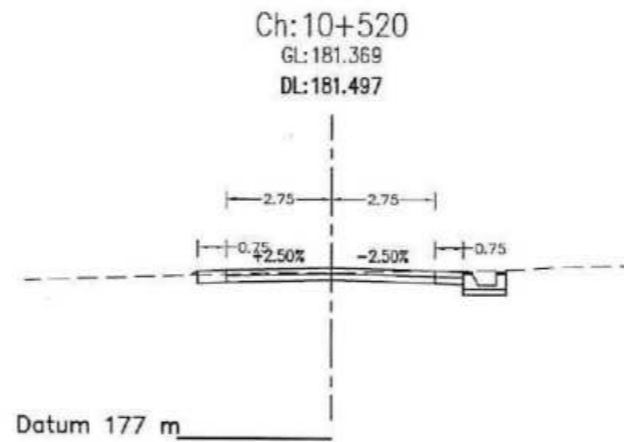
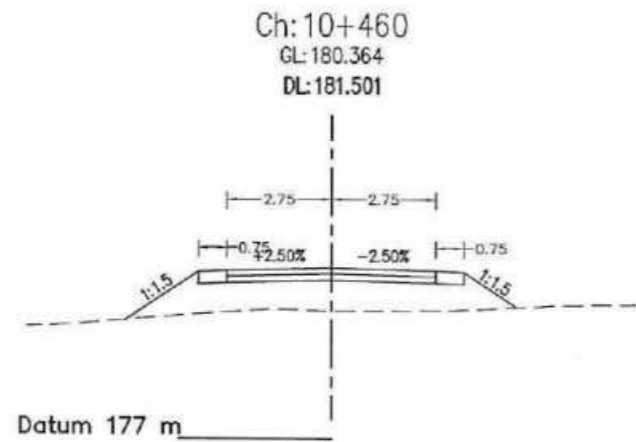
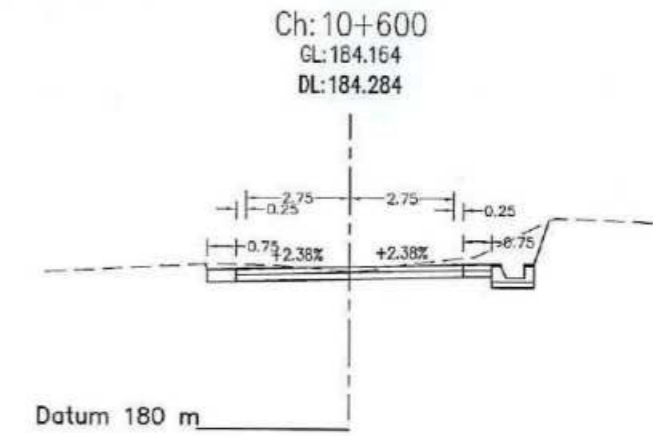
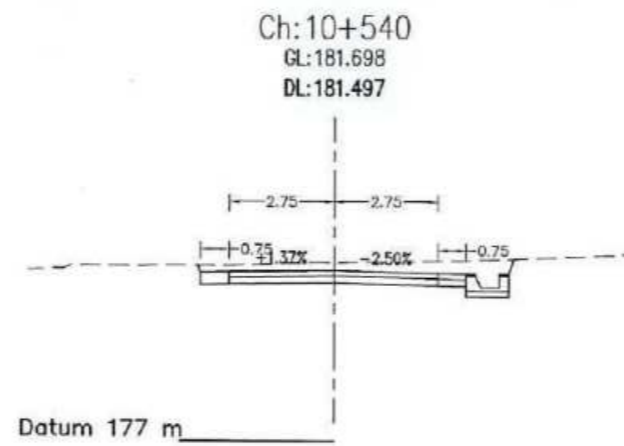
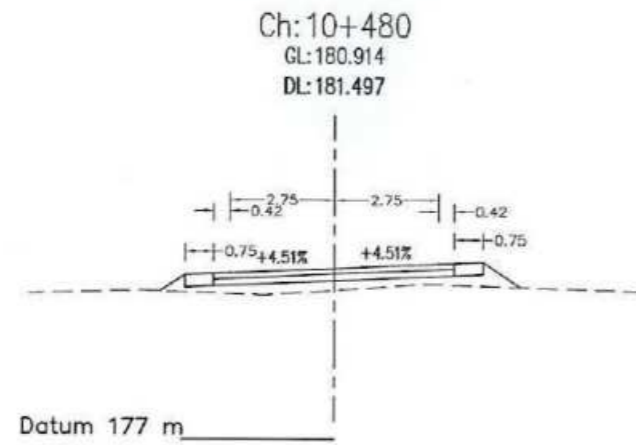


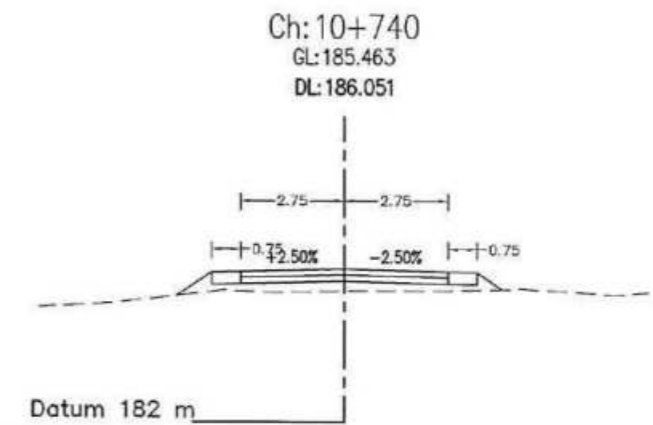
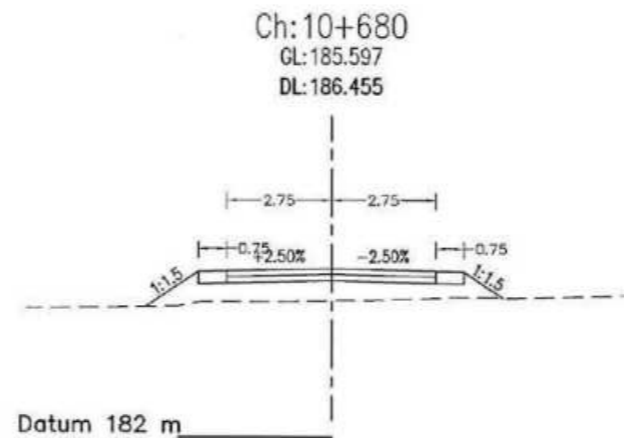
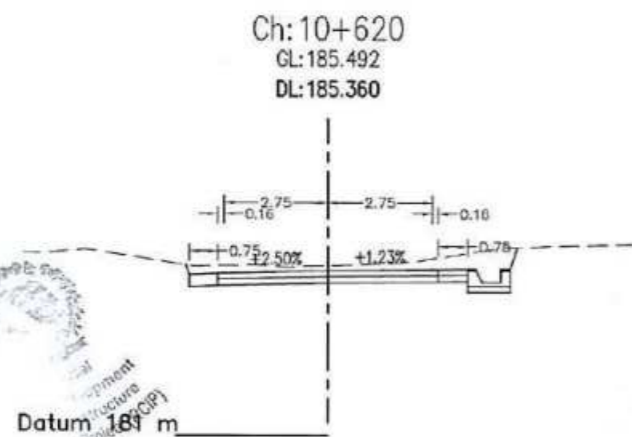
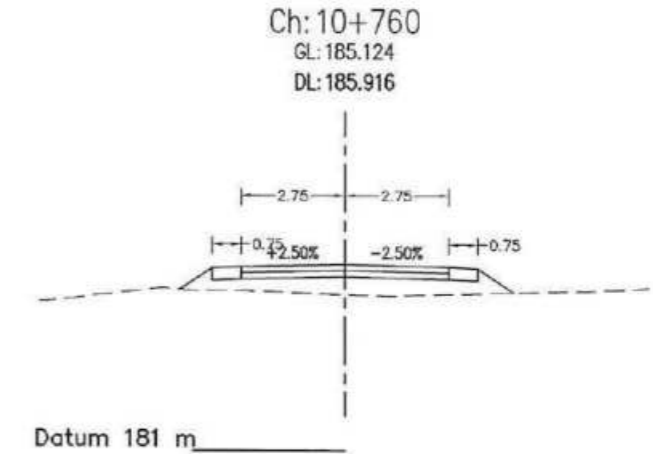
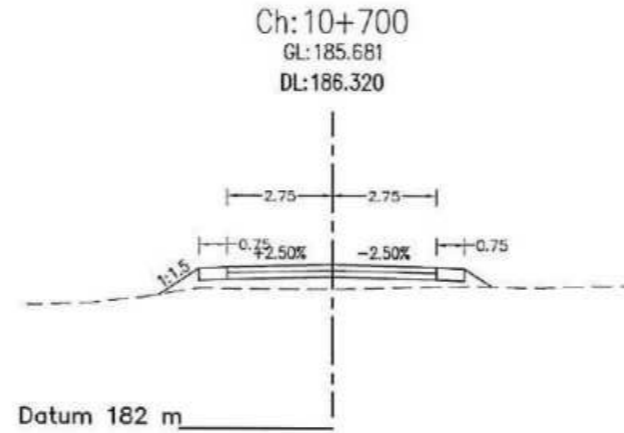
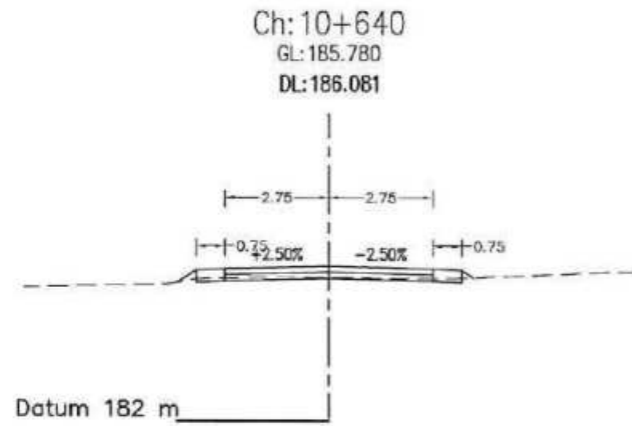
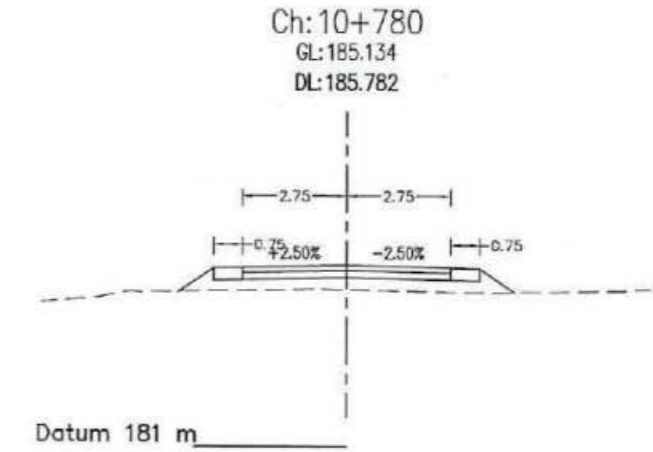
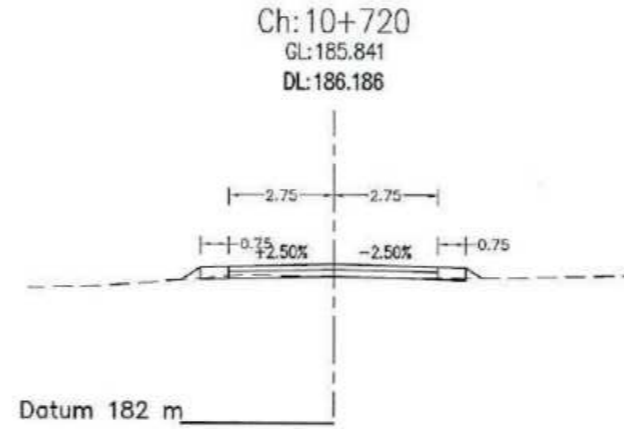
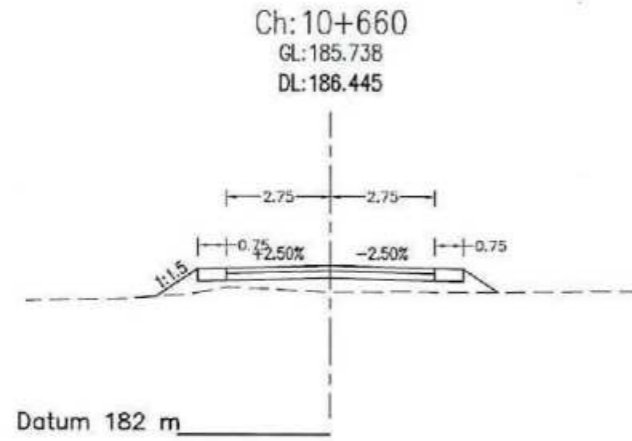
Cross-Section
9+900-10+060

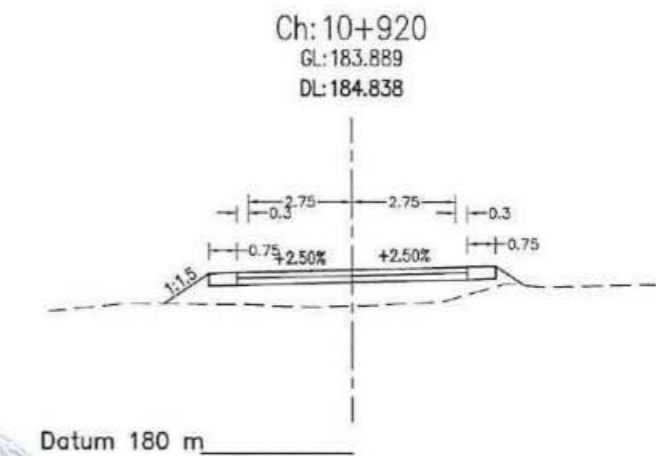
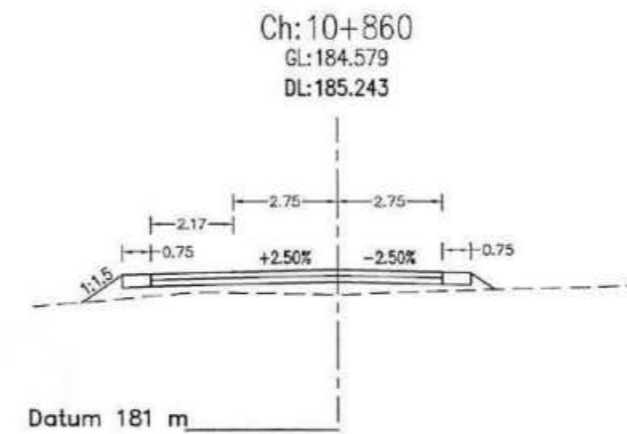
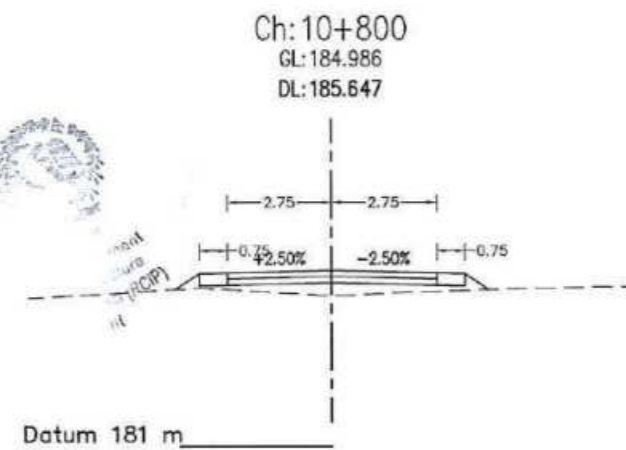
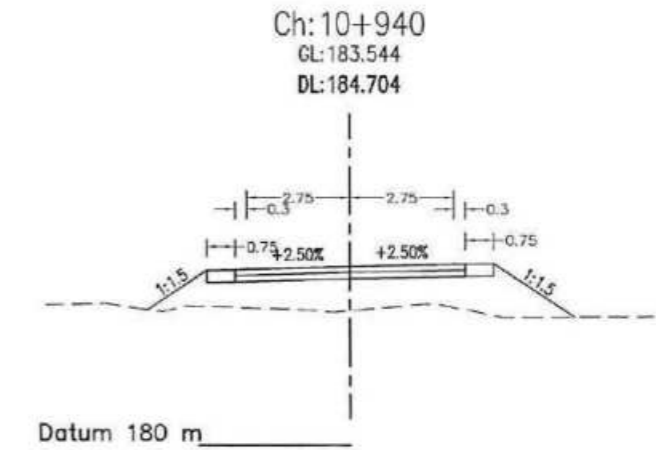
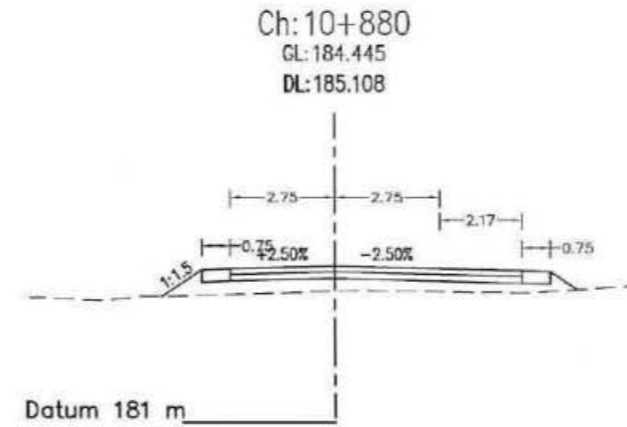
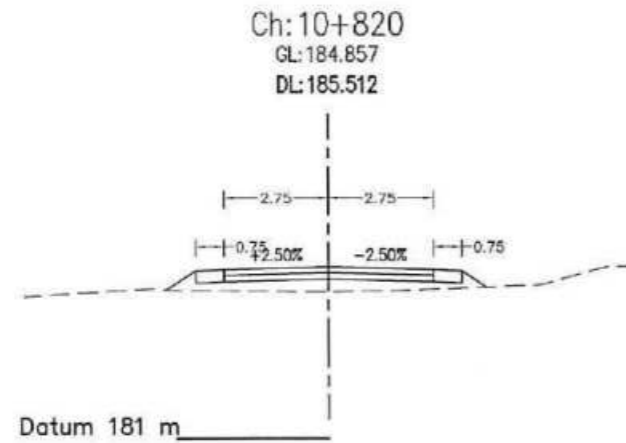
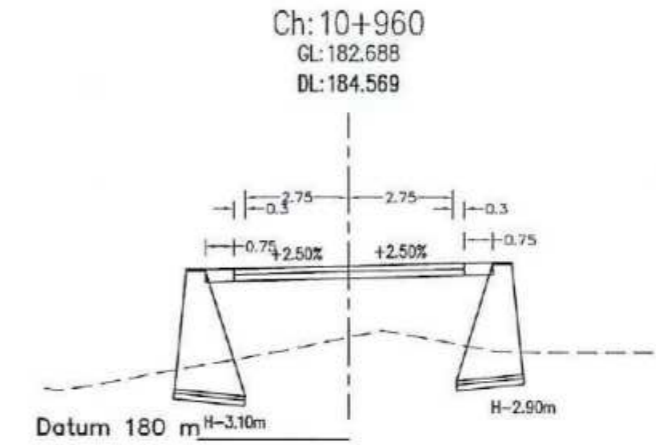
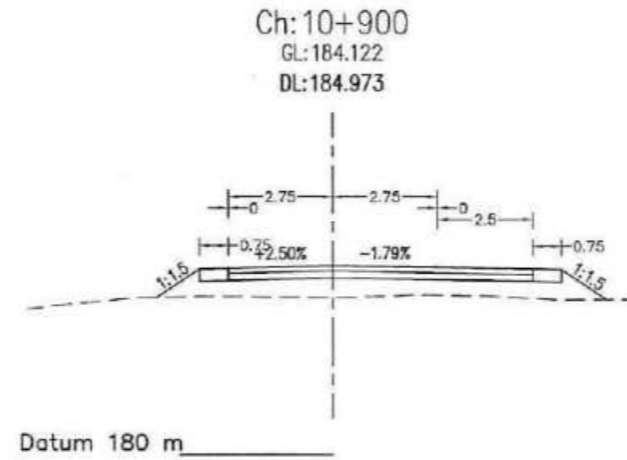
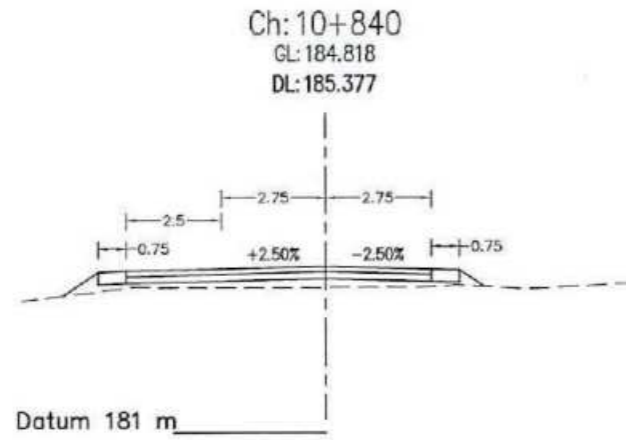
DATE:
DRG NO : CS
SHEET NO : 56

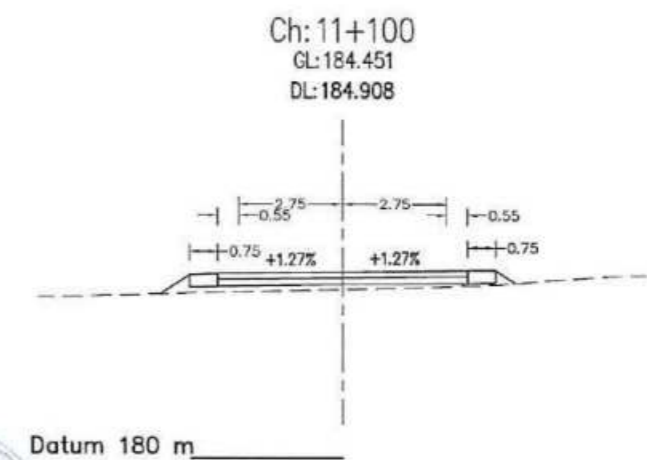
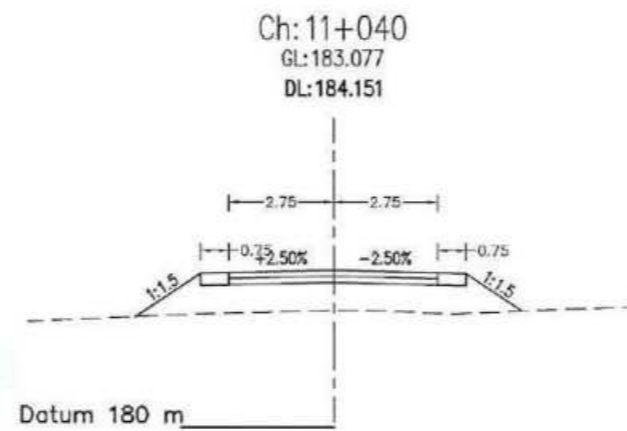
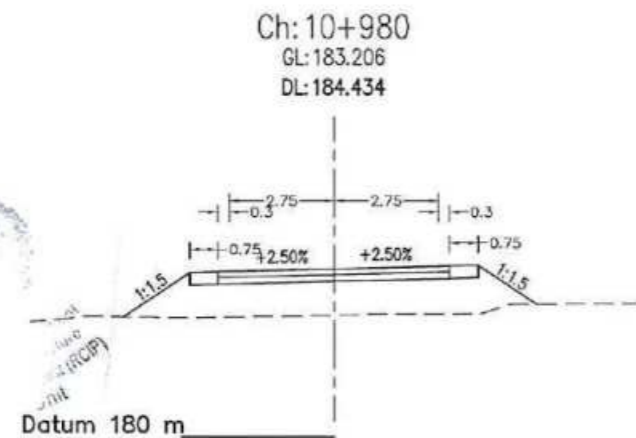
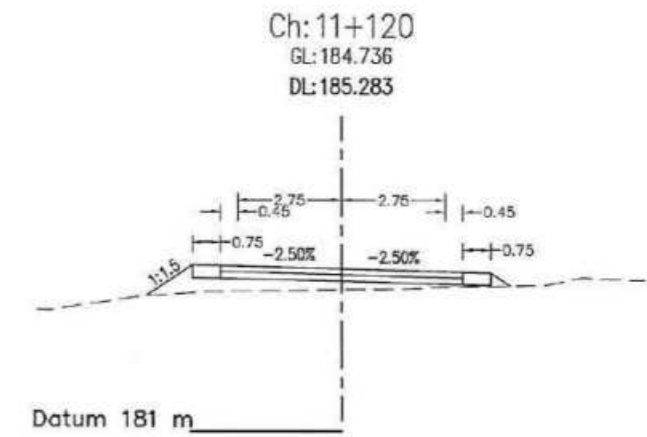
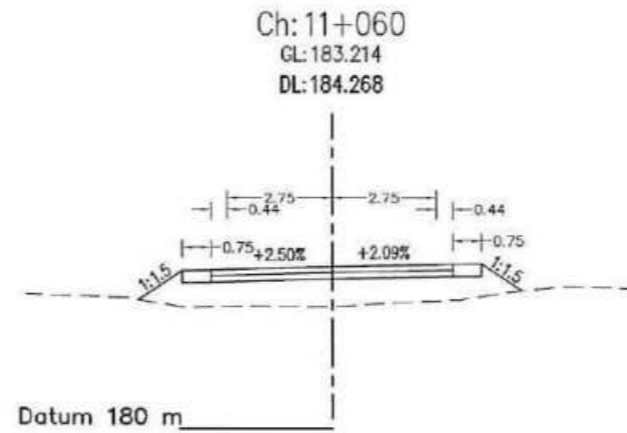
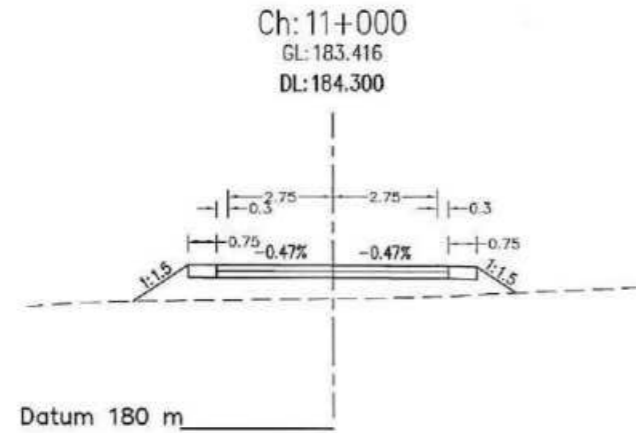
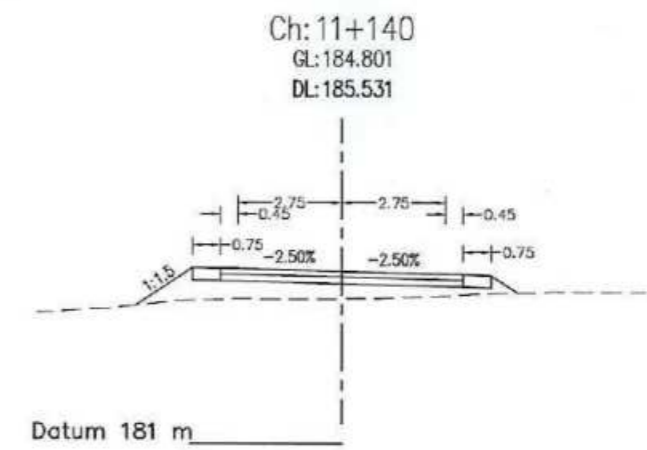
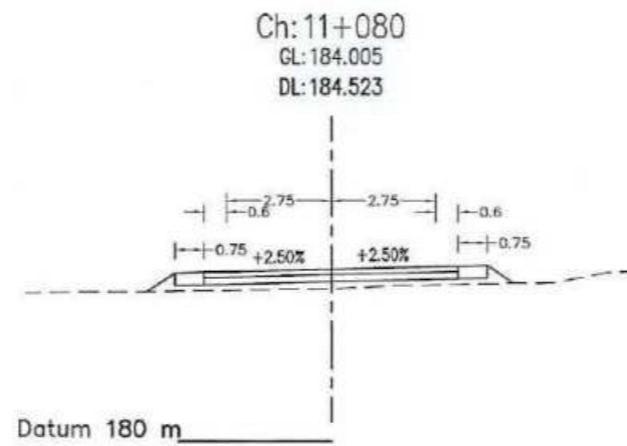
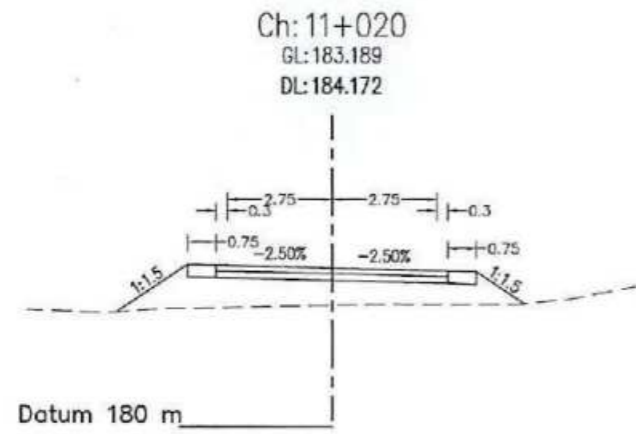


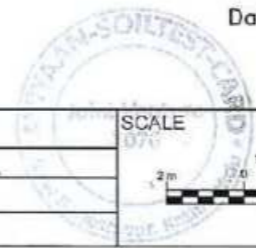
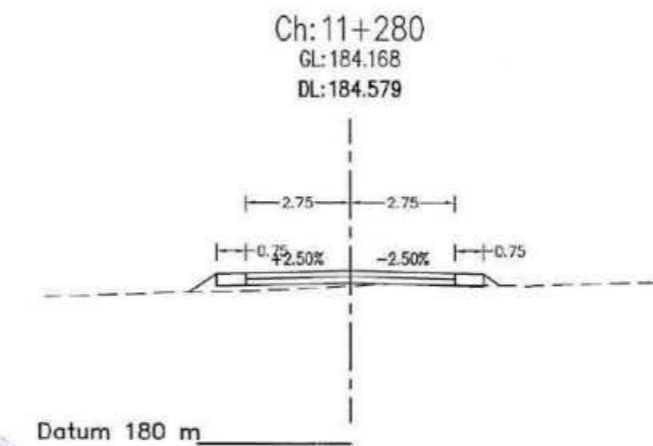
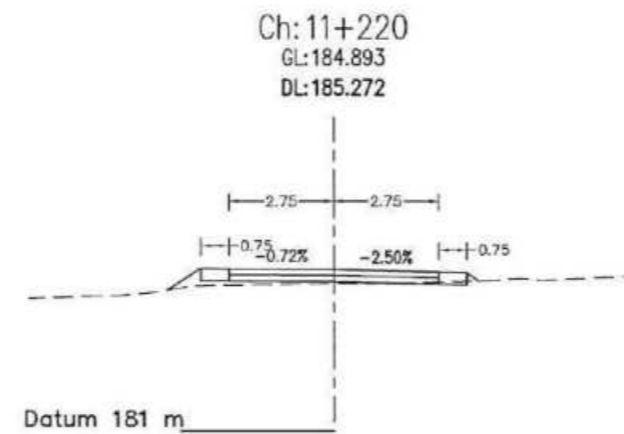
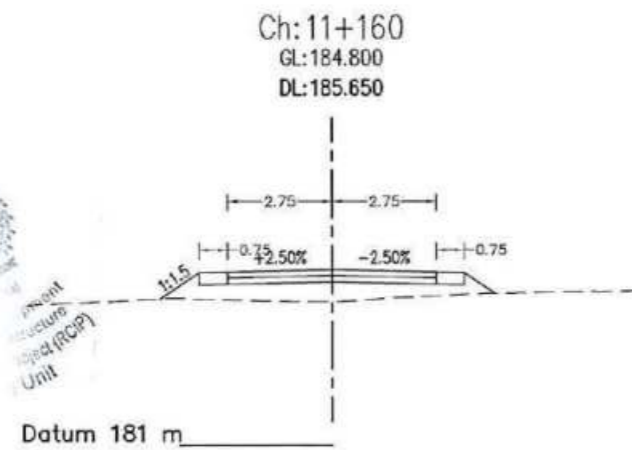
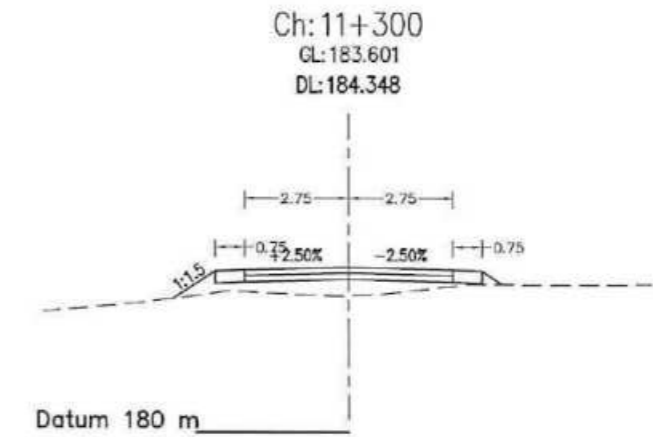
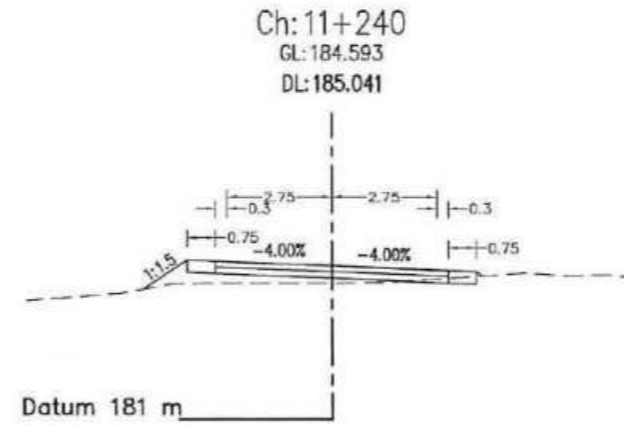
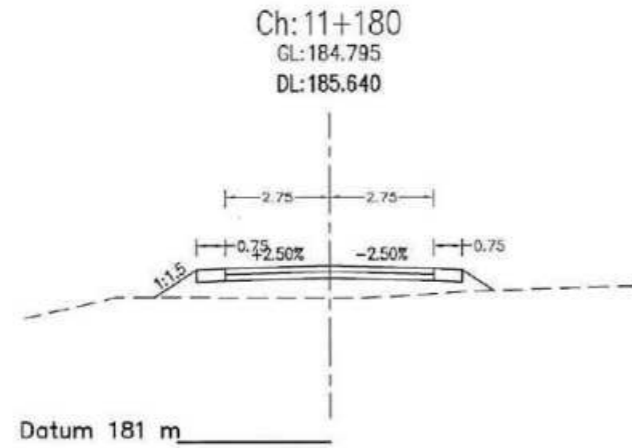
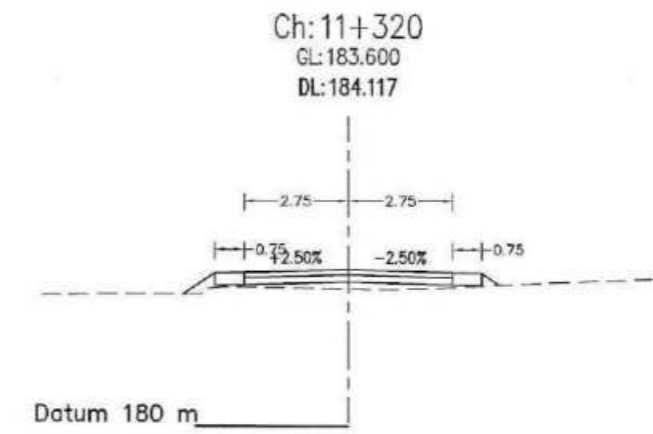
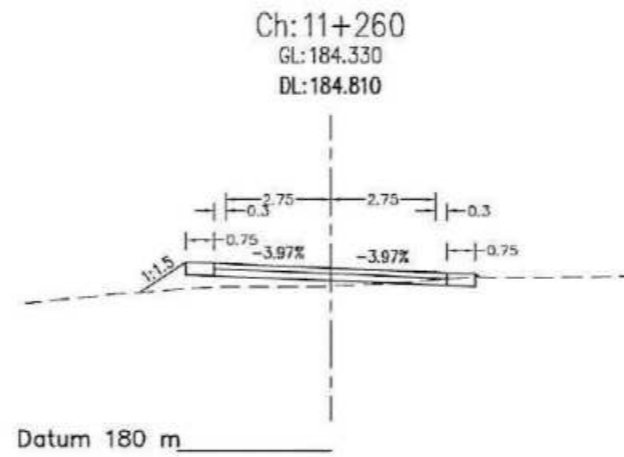
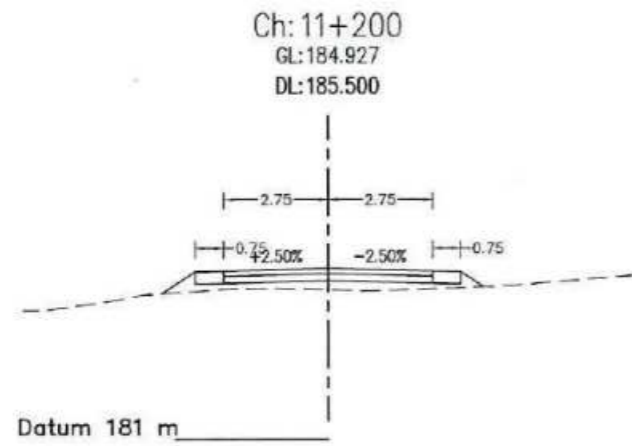




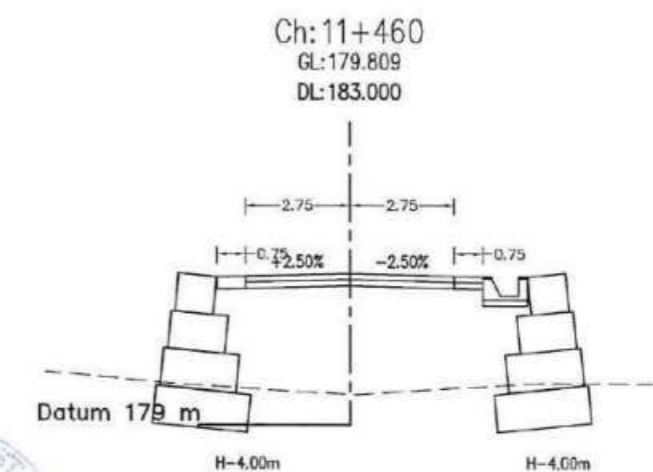
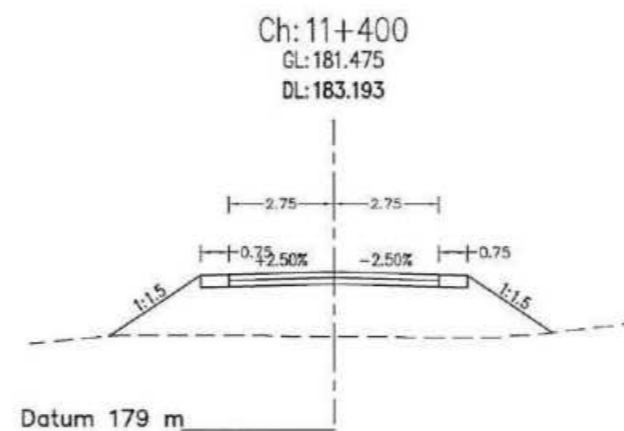
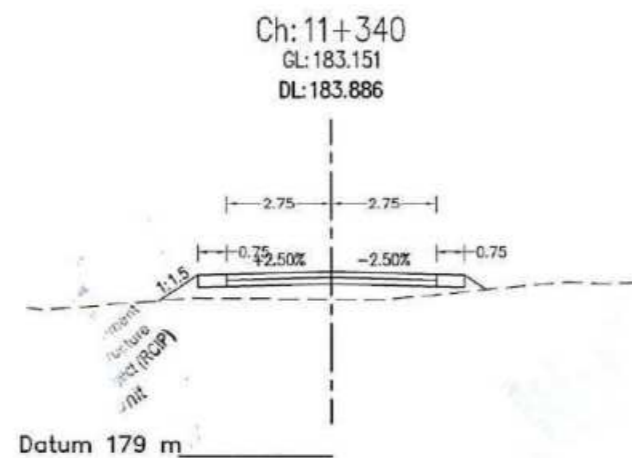
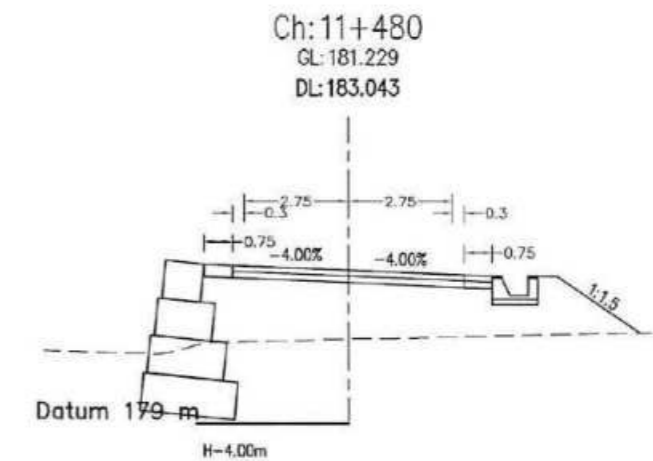
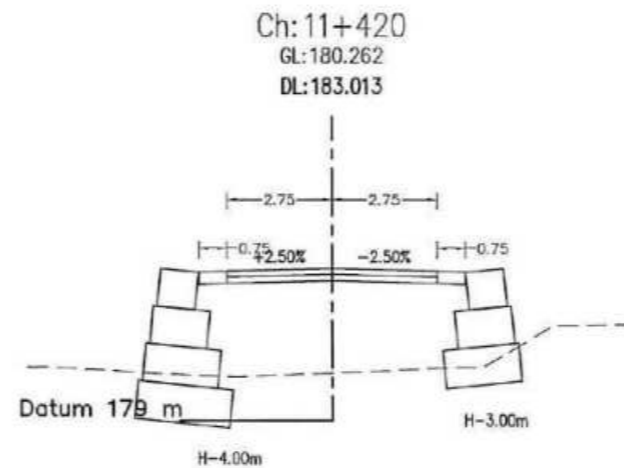
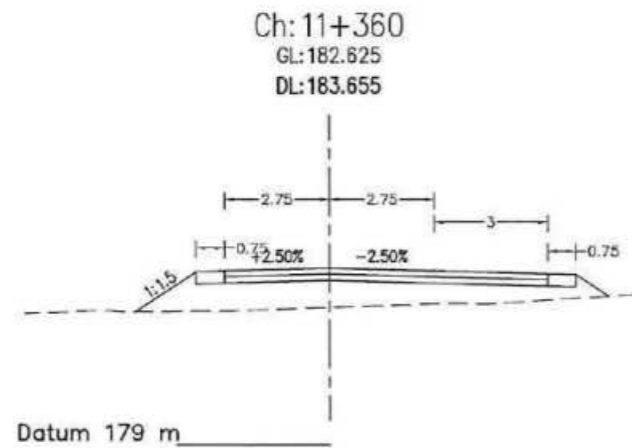
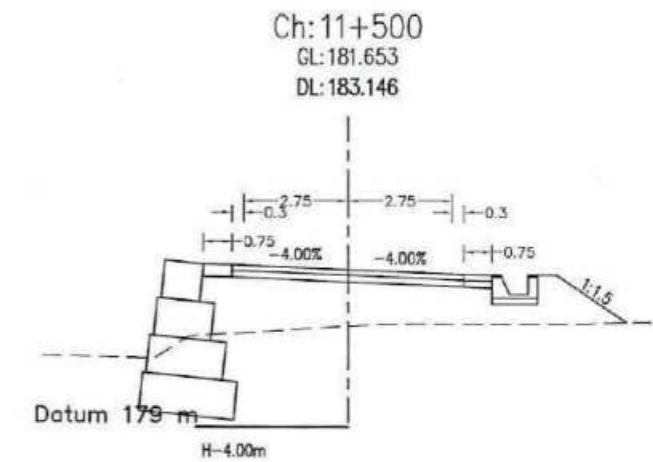
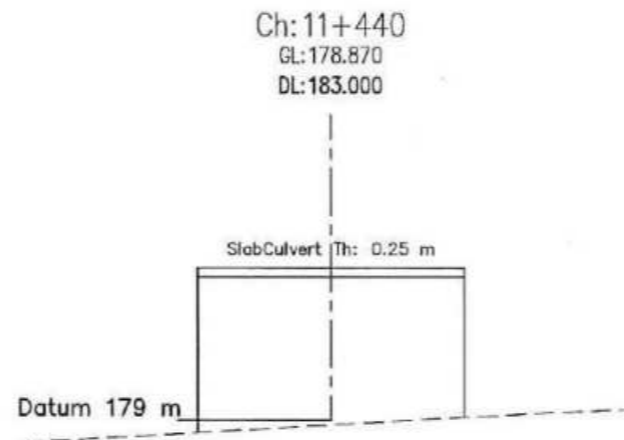
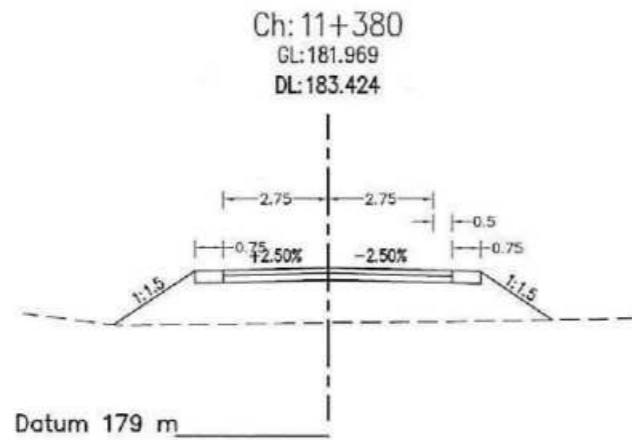


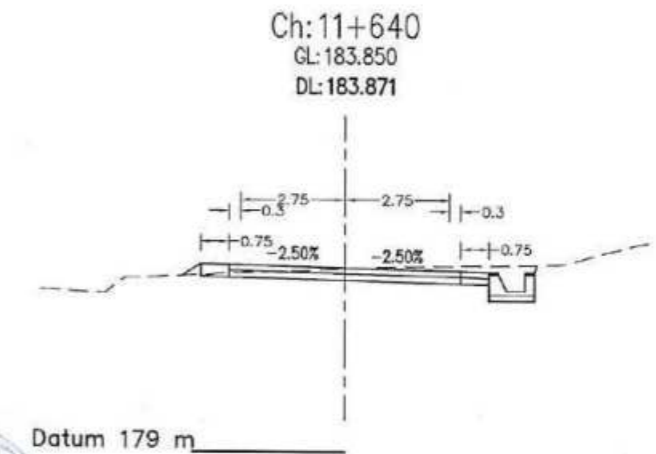
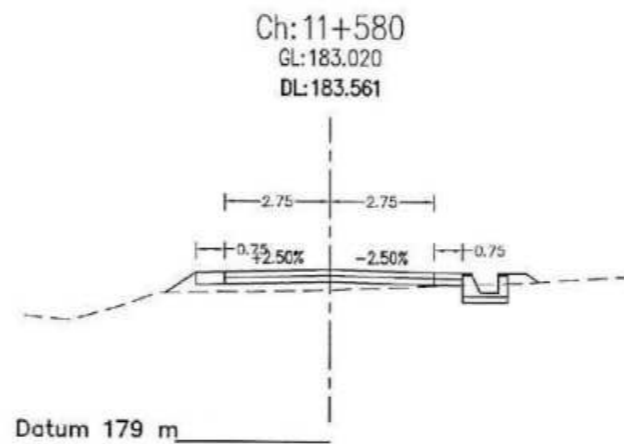
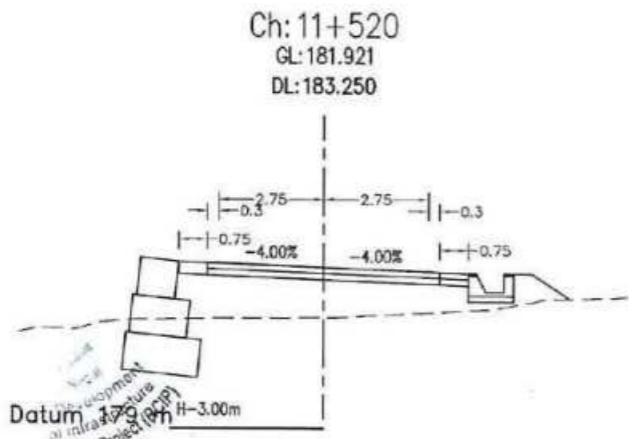
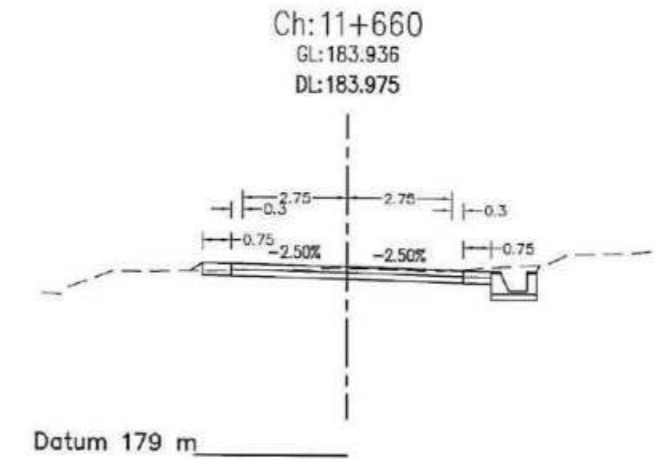
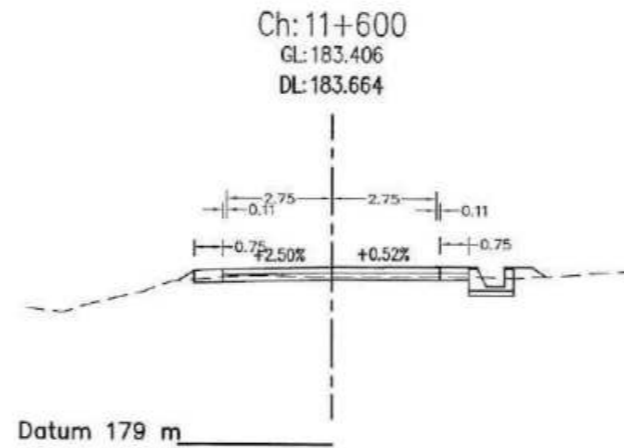
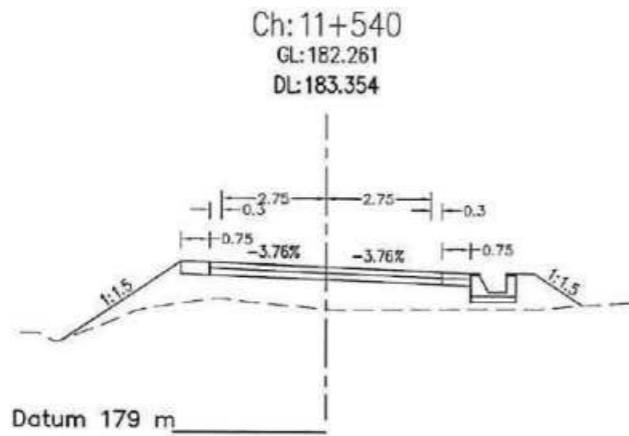
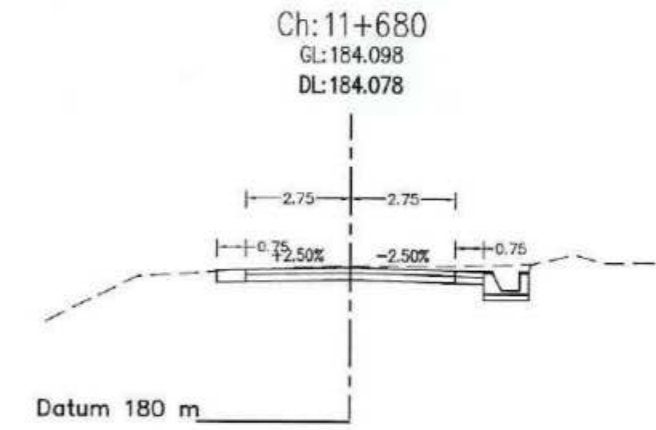
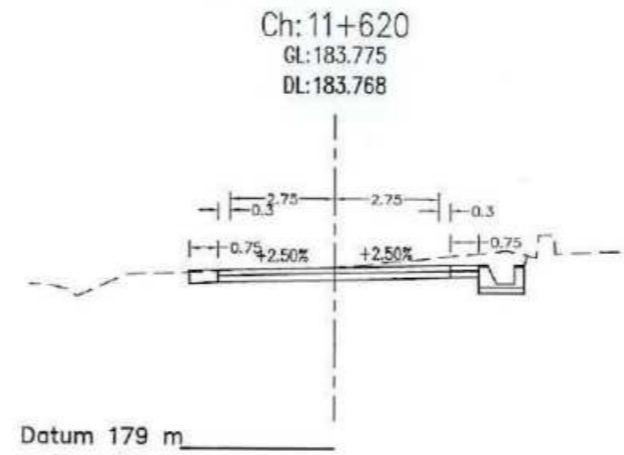
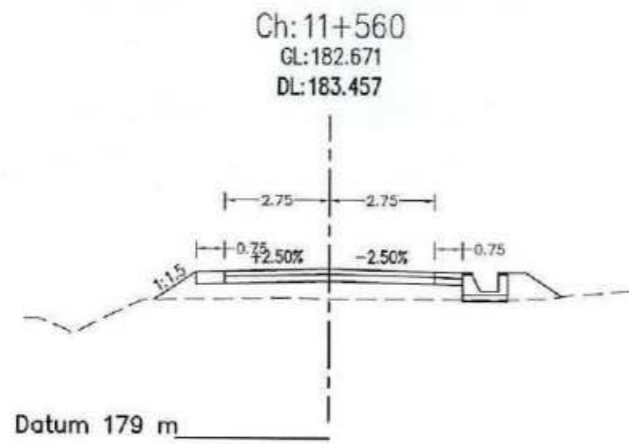


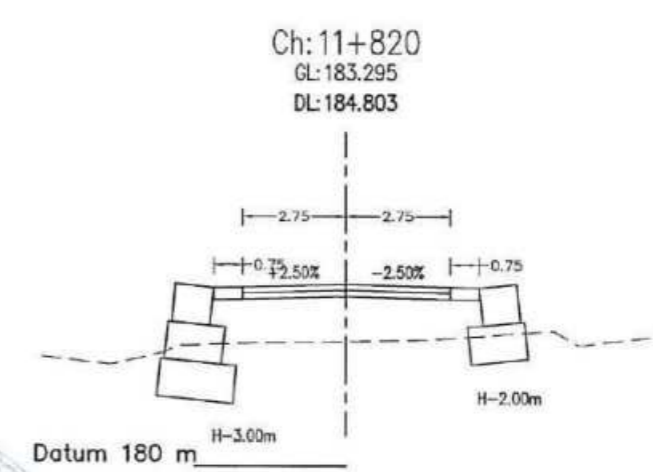
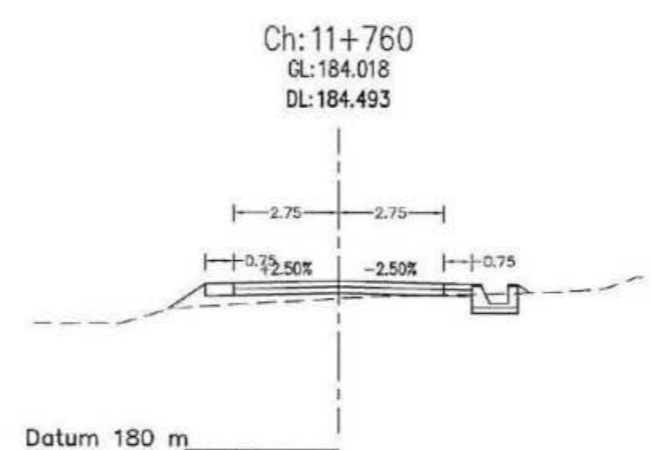
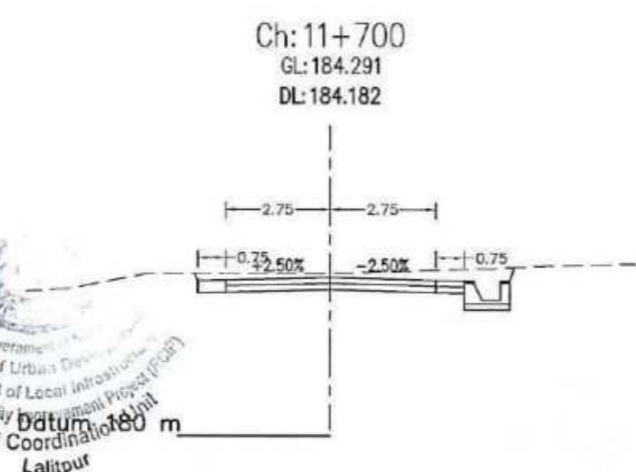
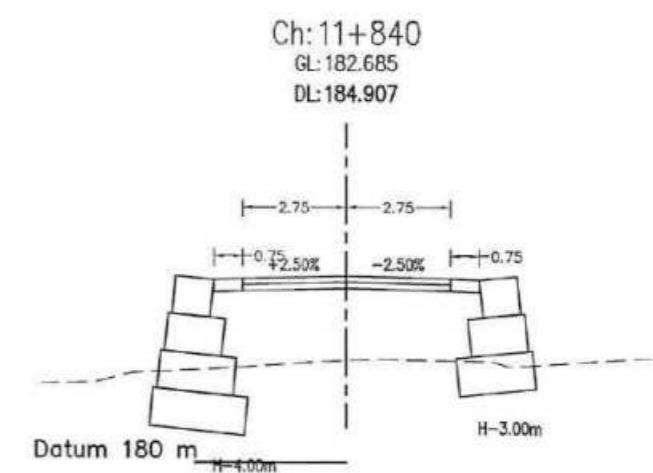
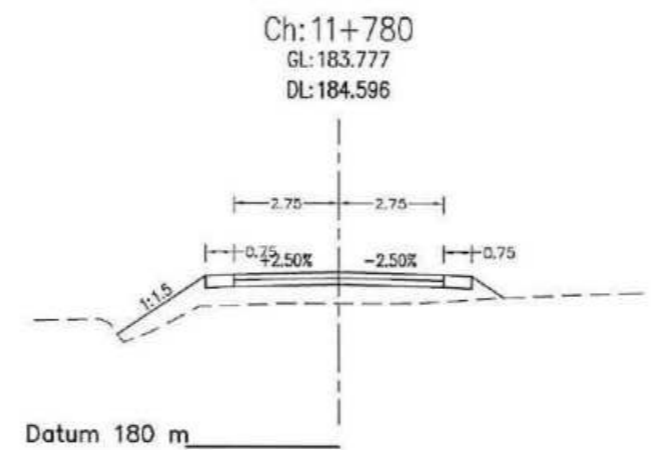
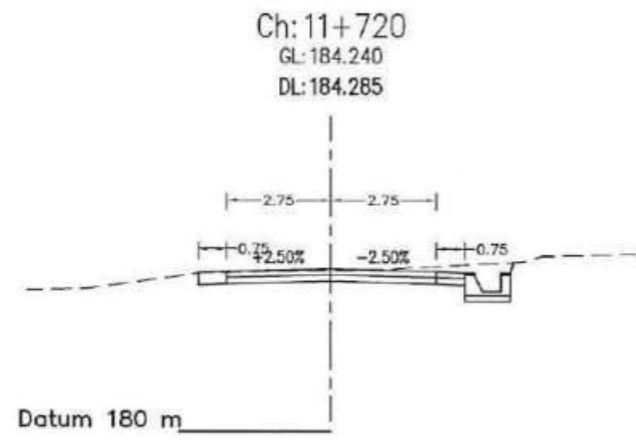
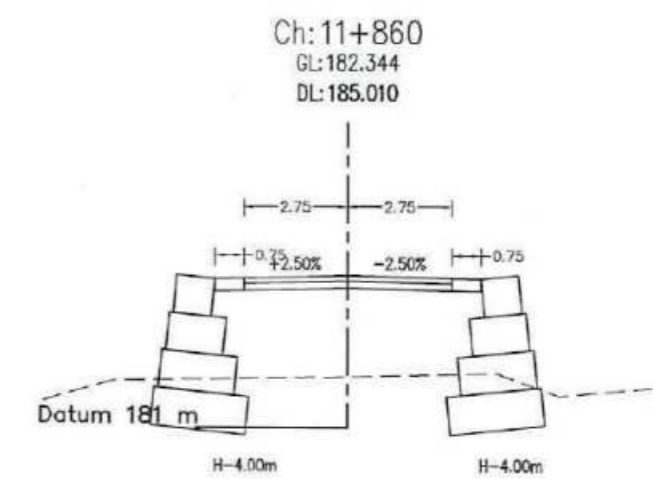
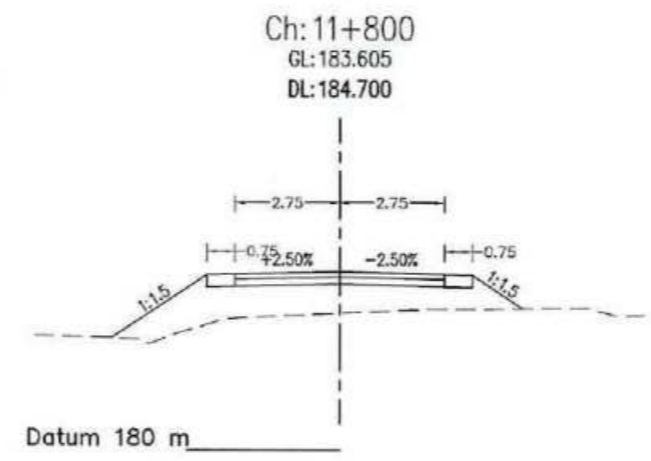
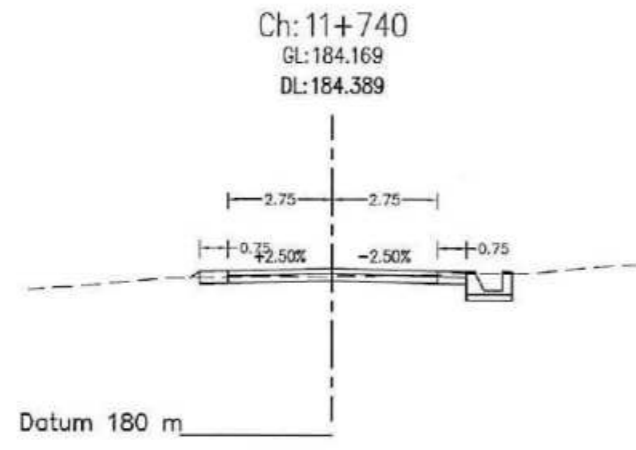




Government of Nepal Ministry of Federal Affairs and General Administration Department of Local Infrastructure (DoLI) Rural Connectivity Improvement Project (RCIP) Project Coordination Unit (PCU) Pulchowk, Lalitpur	Consultant: AVIYAAN - SOILTEST - CARD Joint Venture of 254 Ekata Marg, New Baneshwor, Kathmandu-34, Nepal Phone: 977-1-4104307 Email: info@aviyaan.com	Jagadi - Dhansari - Ganeshman Charnath Na. Pa. (Province No - 2 Connecting) Road, Sindhuli	DATE	REVISION	SIGNATURE	DESIGNED BY :	SCALE 	Cross-Section	DATE:
						DRAWN BY :		11+160-11+320	DRG NO : CS
					CHECKED BY :			SHEET NO :	63
					APPROVED BY :				







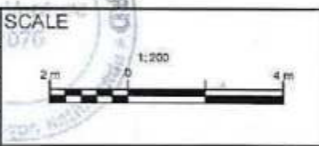
Government of Nepal
Ministry of Urban Development and Construction
Department of Local Infrastructure
Rural Connectivity Improvement Project (RCIP)
Project Coordination Unit
Lalitpur

Government of Nepal
Ministry of Federal Affairs and General Administration
Department of Local Infrastructure (DoLI)
Rural Connectivity Improvement Project (RCIP)
Project Coordination Unit (PCU)
Pulchowk, Lalitpur

Consultant:
Joint Venture of
AVIYAAN - SOILTEST - CARD
254 Ekata Marg, New Baneshwor,
Kathmandu-34, Nepal
Phone: 977-1-4104307
Email: info@aviyaan.com

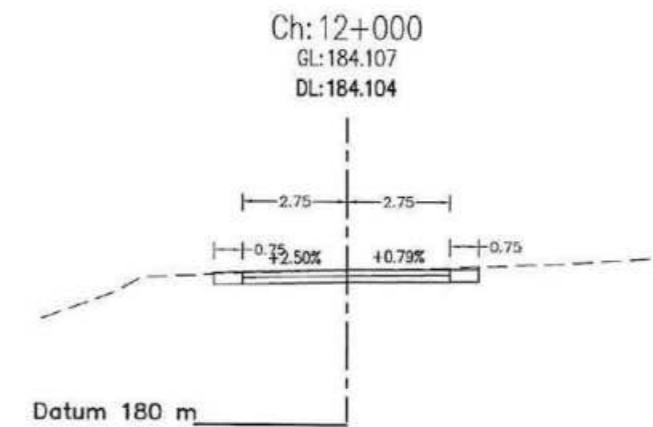
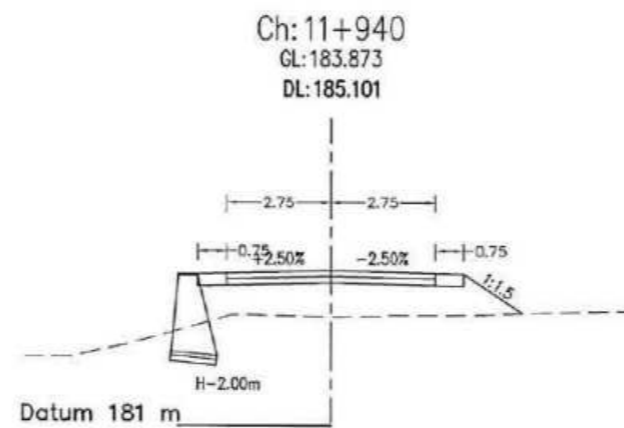
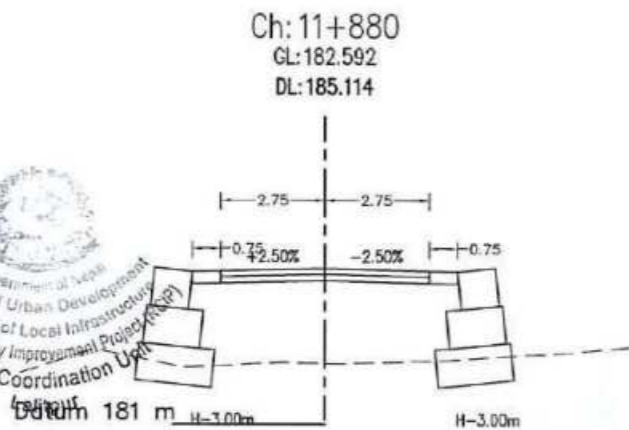
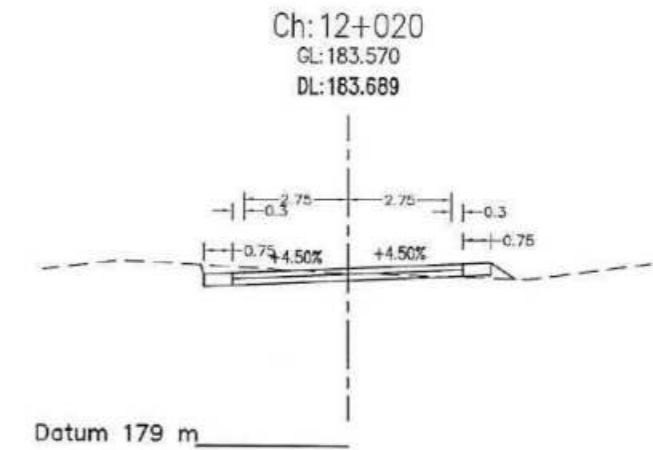
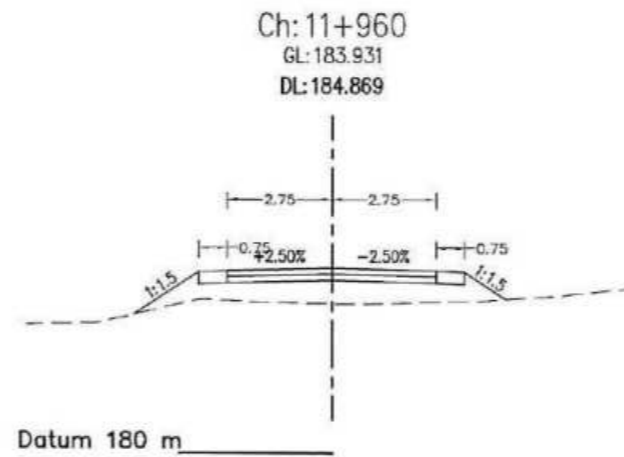
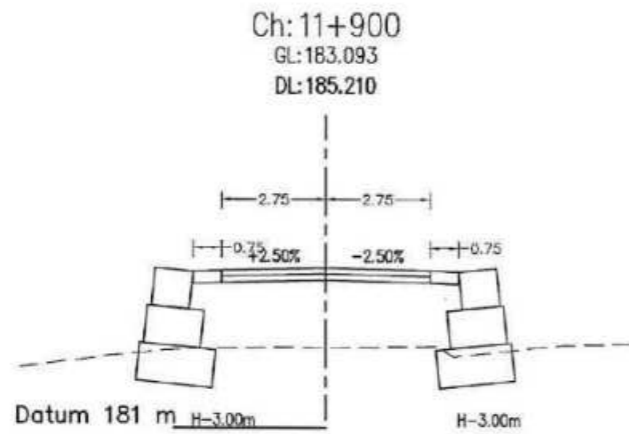
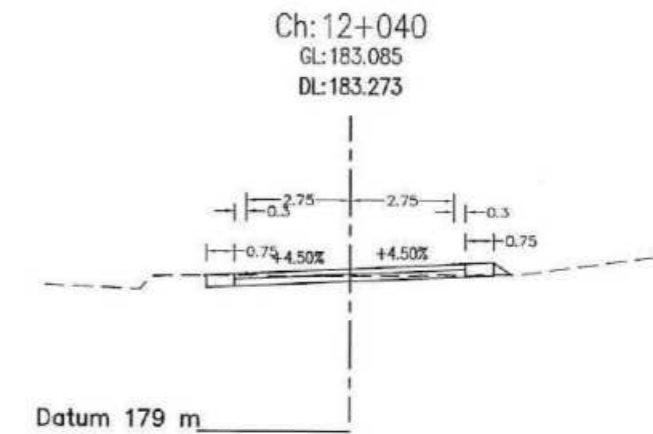
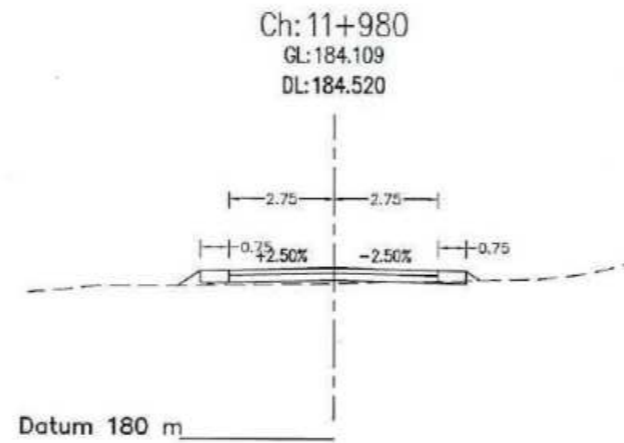
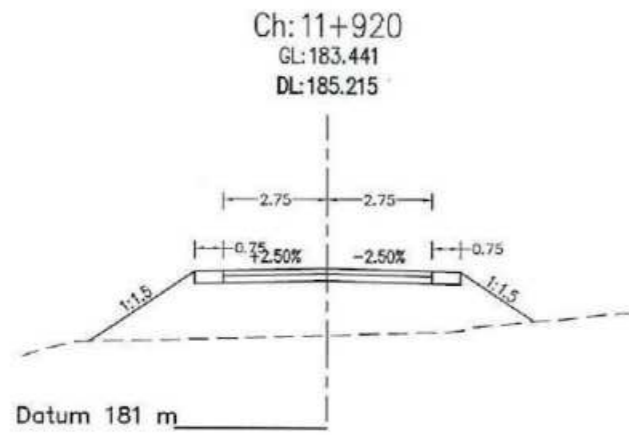
Jagadi - Dhansari -
Ganeshman Charnath Na. Pa.
(Province No - 2 Connecting)
Road, Sindhuli

DATE	REVISION	SIGNATURE	DESIGNED BY :	DRAWN BY :	CHECKED BY :	APPROVED BY :



Cross-Section
11+700-11+860

DATE:
DRG NO : CS
SHEET NO : 66



Government of Nepal
Ministry of Urban Development
Department of Local Infrastructure
Rural Connectivity Improvement Project (RCIP)
Project Coordination Unit



Government of Nepal
Ministry of Federal Affairs and General Administration
Department of Local Infrastructure (DoLI)
Rural Connectivity Improvement Project (RCIP)
Project Coordination Unit (PCU)
Pulchowk, Lalitpur

Consultant:
Joint Venture of
AVIYAAN - SOILTEST - CARD
254 Ekata Marg, New Baneshwor,
Kathmandu-34, Nepal
Phone: 977-1-4104307
Email: info@aviyaan.com

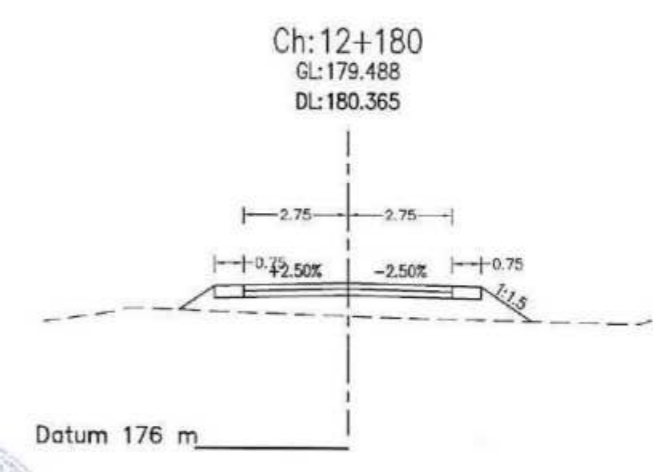
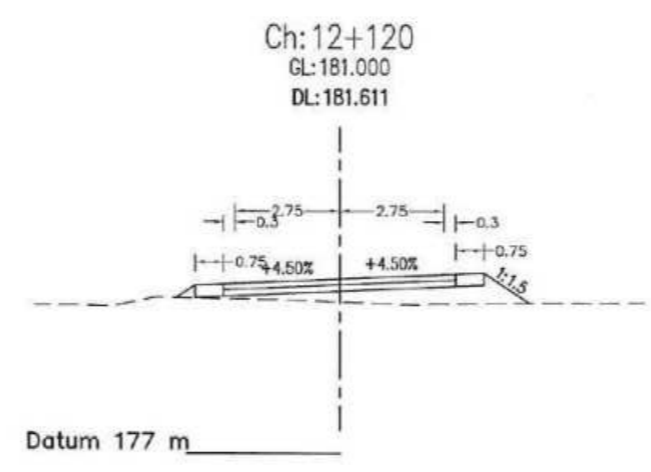
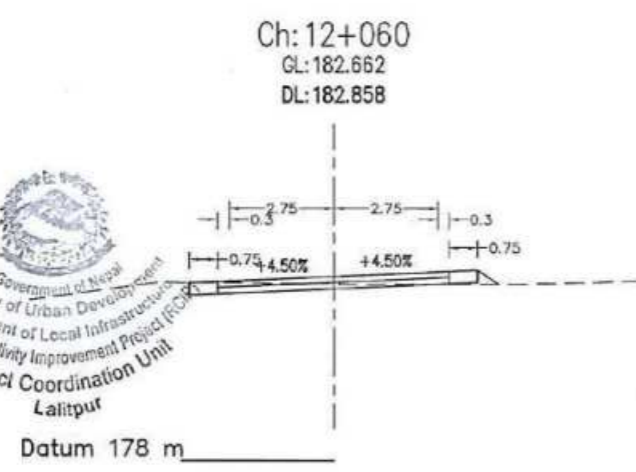
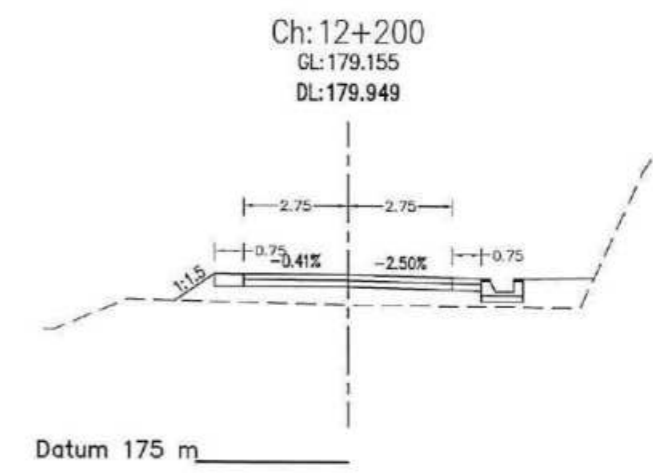
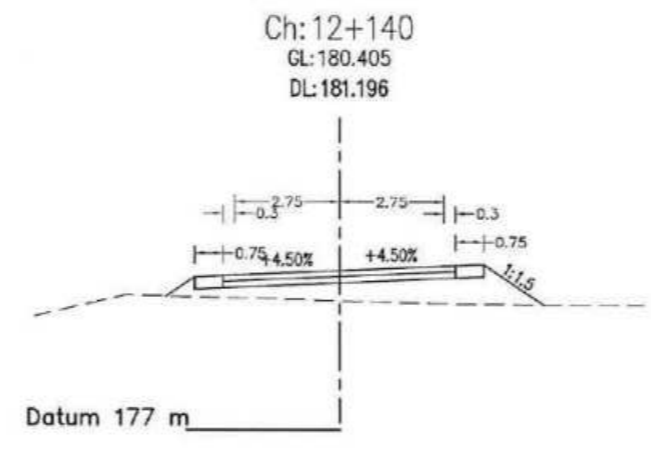
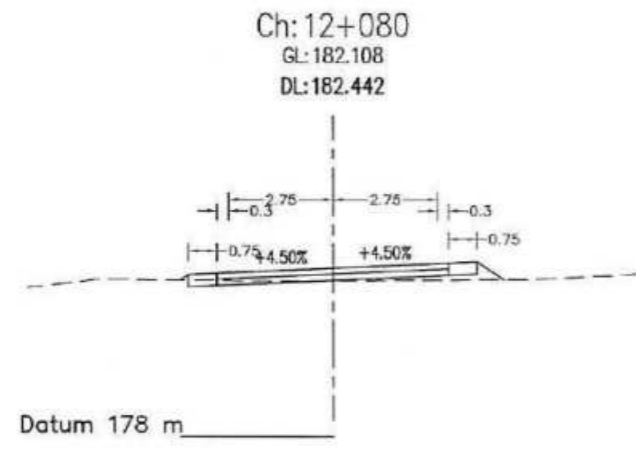
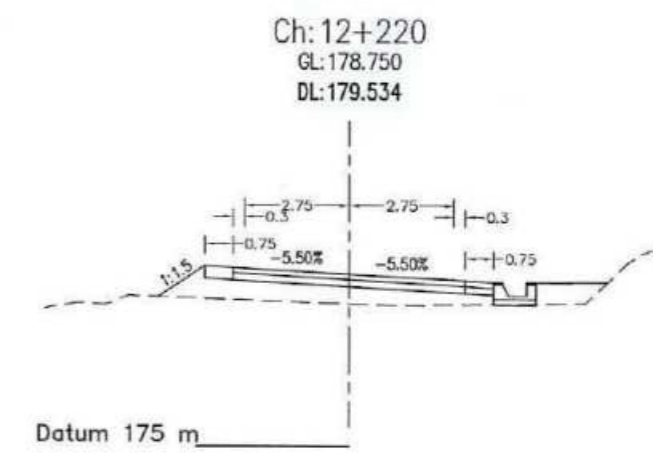
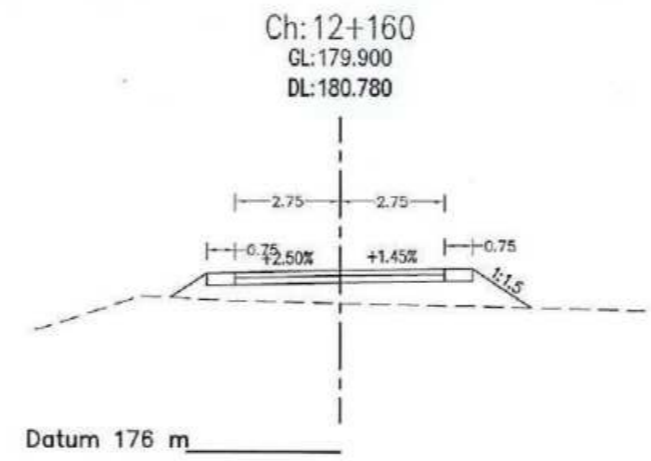
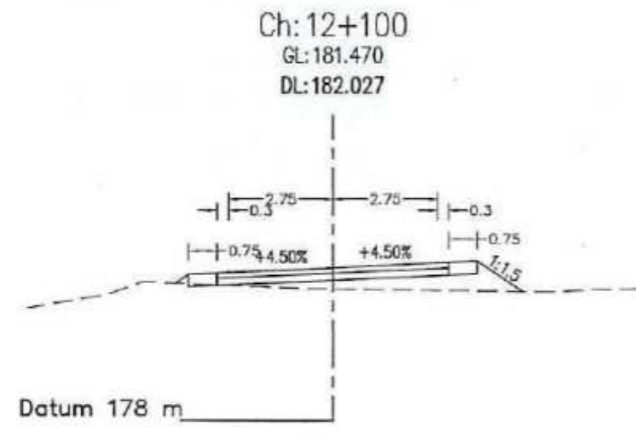
Jagadi - Dhansari -
Ganeshman Charnath Na. Pa.
(Province No - 2 Connecting)
Road, Sindhuli

DATE	REVISION	SIGNATURE	DESIGNED BY :	DRAWN BY :	CHECKED BY :	APPROVED BY :

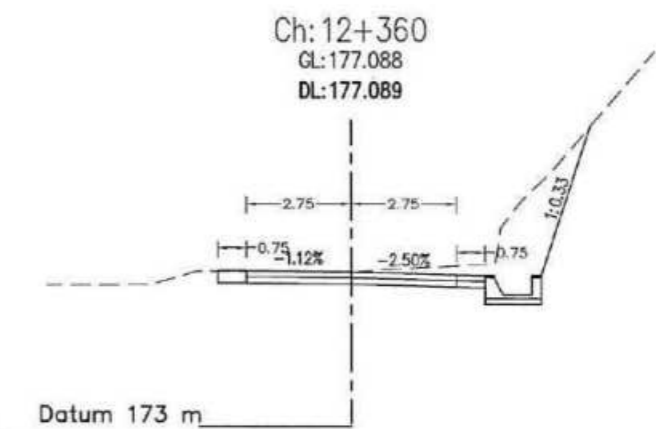
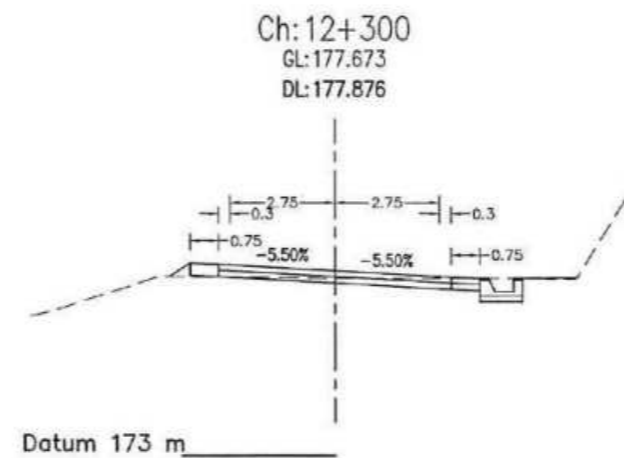
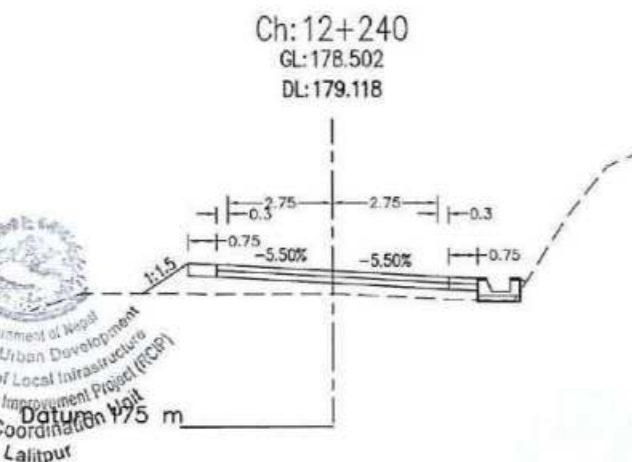
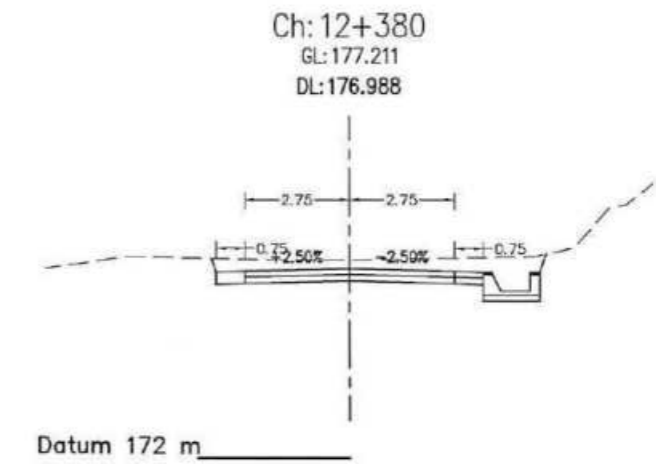
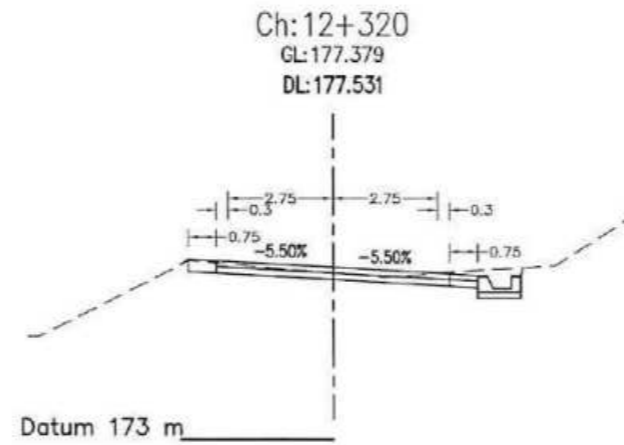
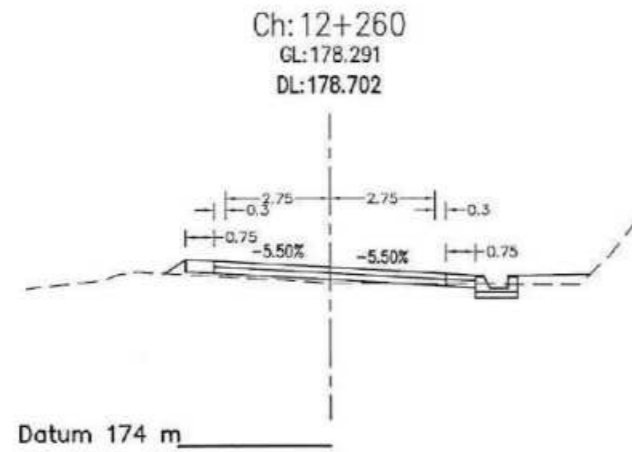
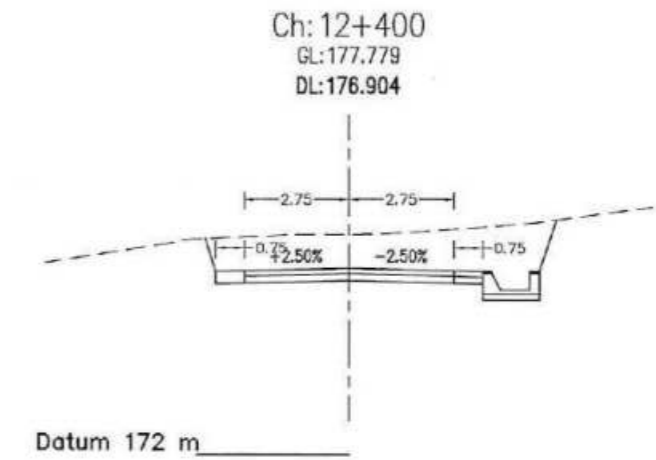
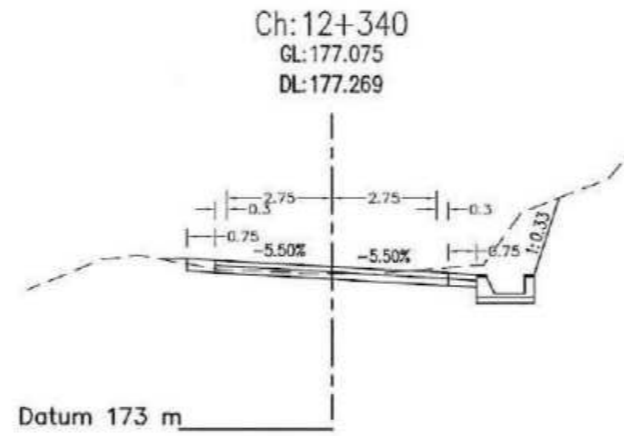
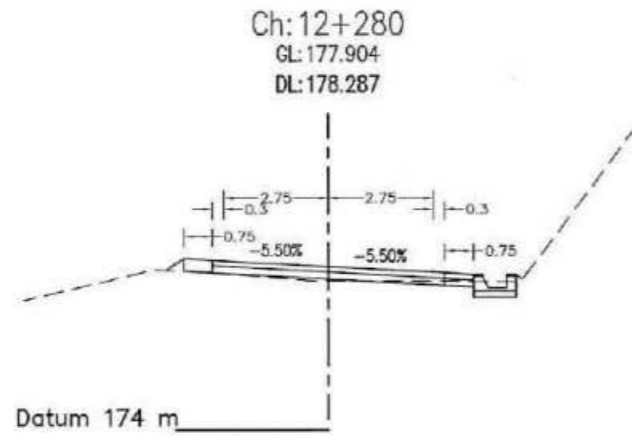
SCALE
0 2m 4m
1:200

Cross-Section
11+880-12+040

DATE:
DRG NO: CS
SHEET NO: 67



Government of Nepal Ministry of Federal Affairs and General Administration Department of Local Infrastructure (DoLI) Rural Connectivity Improvement Project (RCIP) Project Coordination Unit (PCU) Pulchowk, Lalitpur	Consultant: Joint Venture of AVIYAAN - SOILTEST - CARD 254 Ekta Marg, New Baneshwor, Kathmandu-34, Nepal Phone: 977-1-4104307 Email: info@aviyaan.com	Jagadi - Dhansari - Ganeshman Chamath Na. Pa. (Province No - 2 Connecting) Road, Sindhuli	DATE	REVISION	SIGNATURE	DESIGNED BY :	SCALE 	Cross-Section 12+060-12+220	DATE:
						DRAWN BY :			DRG NO: CS
					CHECKED BY :	APPROVED BY :		SHEET NO: 68	



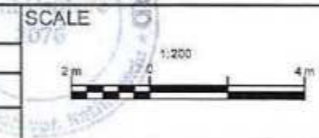
Government of Nepal
Ministry of Urban Development
Department of Local Infrastructure
Rural Connectivity Improvement Project (RCIP)
Project Coordination Unit
Lalitpur

Government of Nepal
Ministry of Federal Affairs and General Administration
Department of Local Infrastructure (DoLI)
Rural Connectivity Improvement Project (RCIP)
Project Coordination Unit (PCU)
Pulchowk, Lalitpur

Consultant:
Joint Venture of
AVIYAAN - SOILTEST - CARD
254 Ekata Marg, Near Baneshwor,
Kathmandu-34, Nepal
Phone: 977-1-4104307
Email: info@aviyaan.com

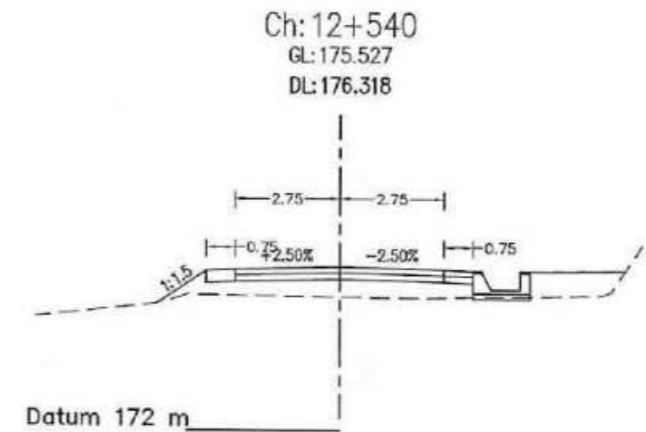
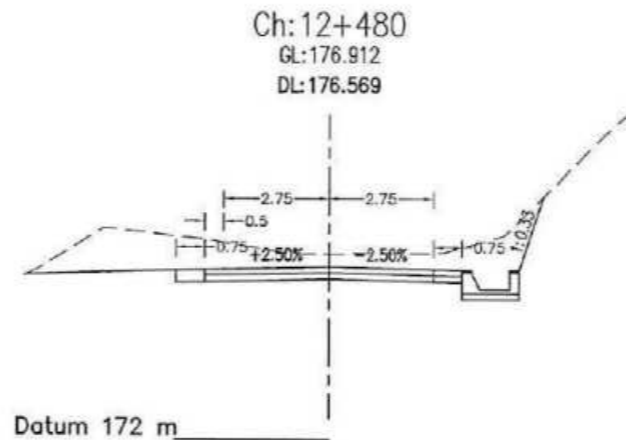
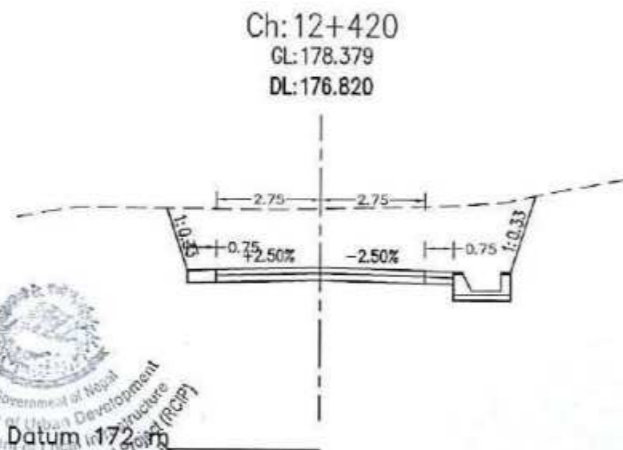
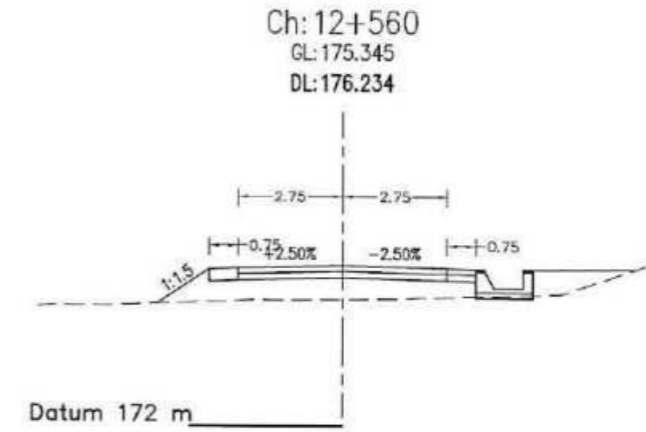
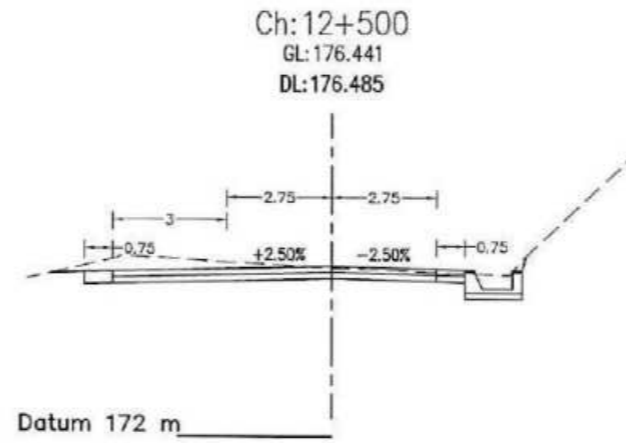
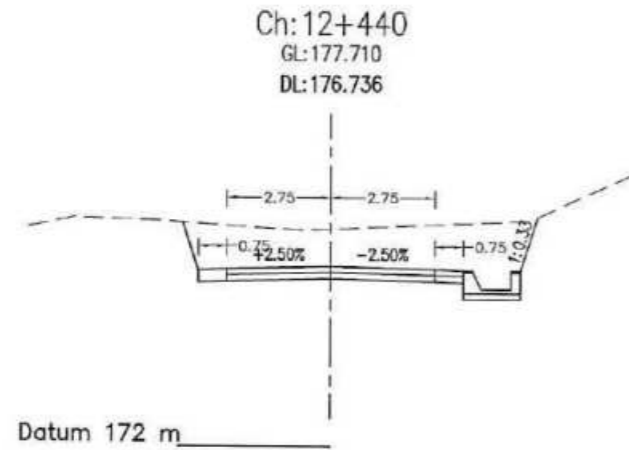
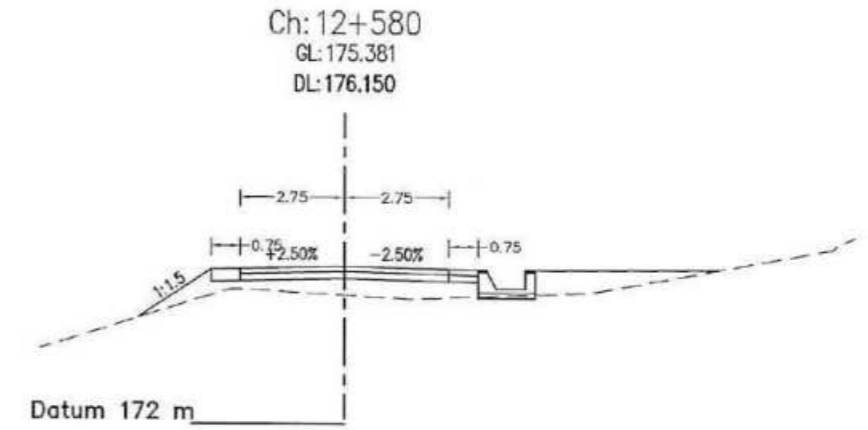
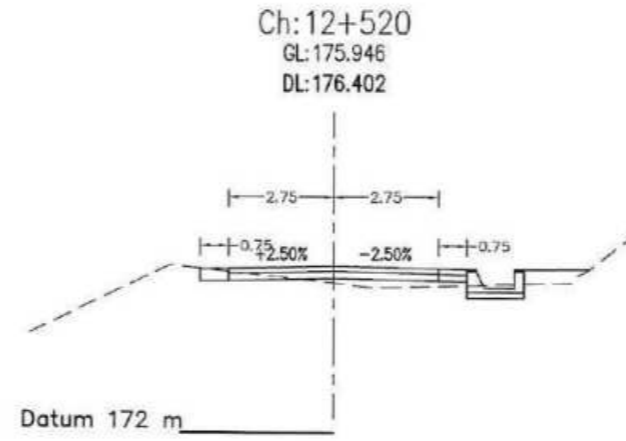
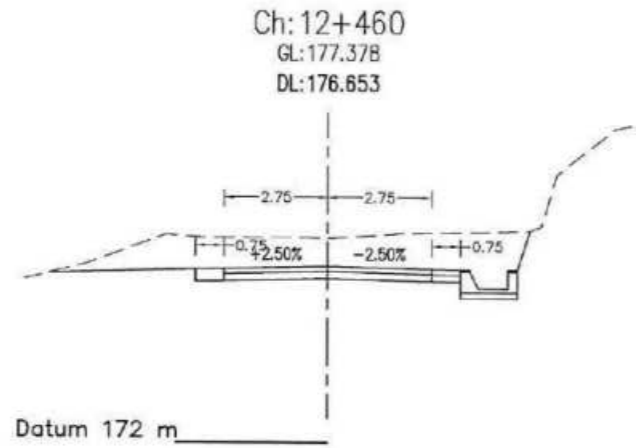
Jagadi - Dhansari -
Ganeshman Chamath Na. Pa.
(Province No - 2 Connecting)
Road, Sindhuli

DATE	REVISION	SIGNATURE	DESIGNED BY :
			GH
			DRAWN BY :
			WB
			CHECKED BY :
			APPROVED BY :

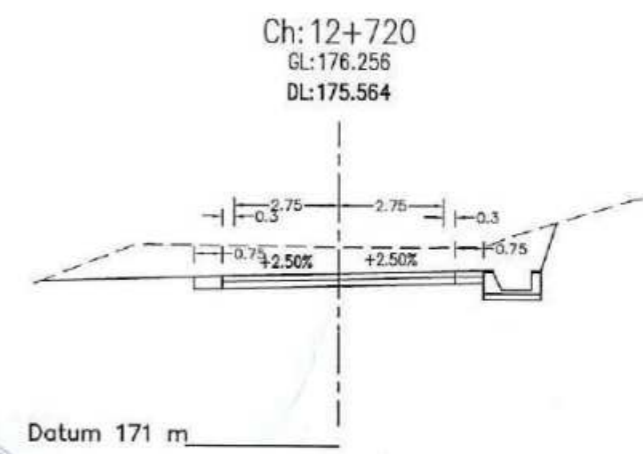
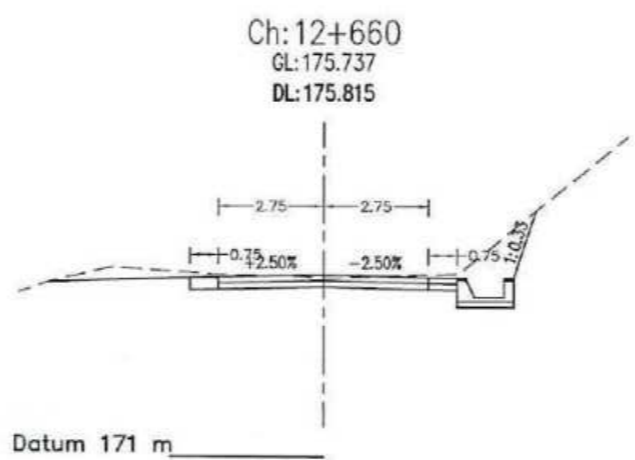
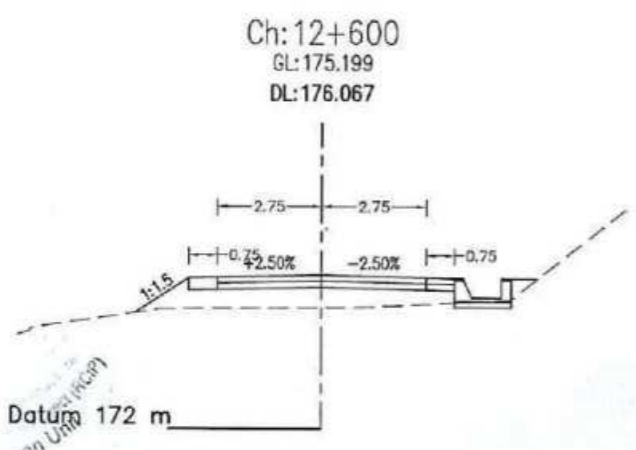
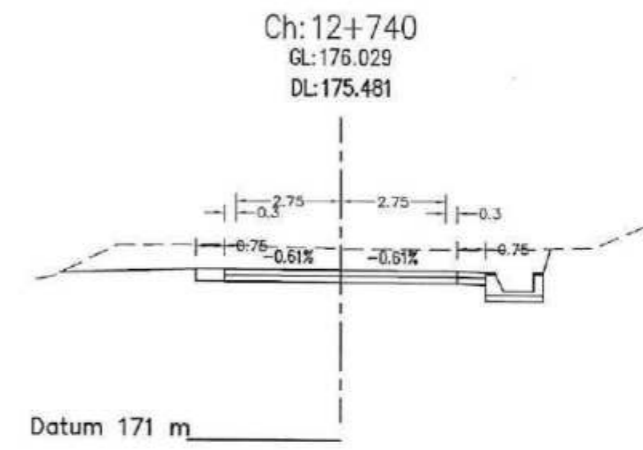
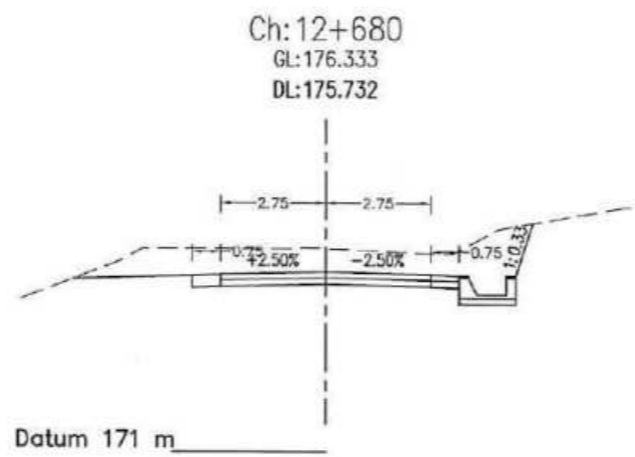
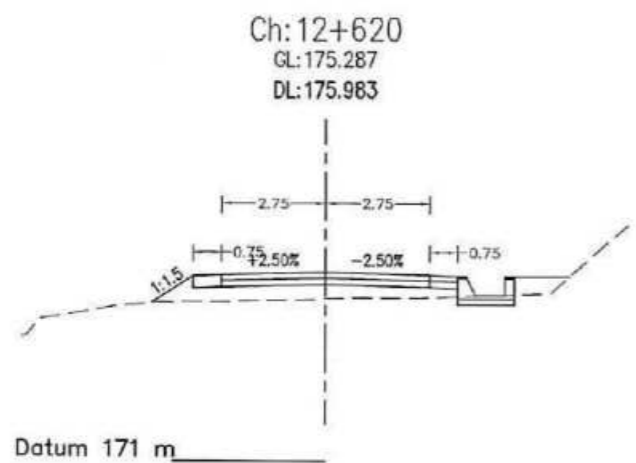
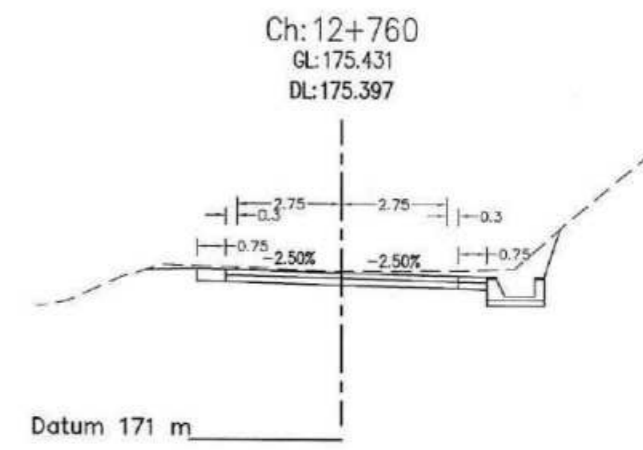
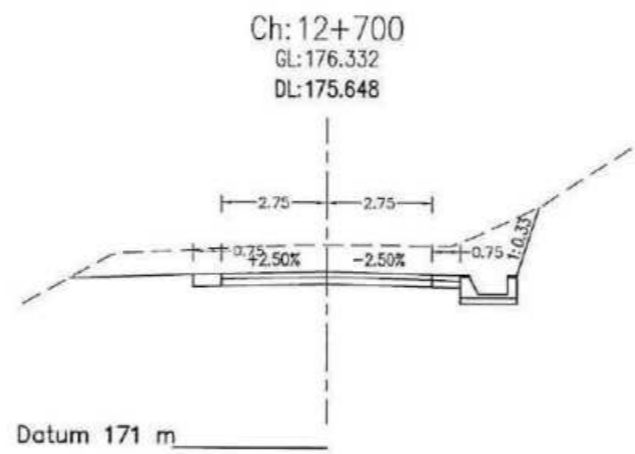
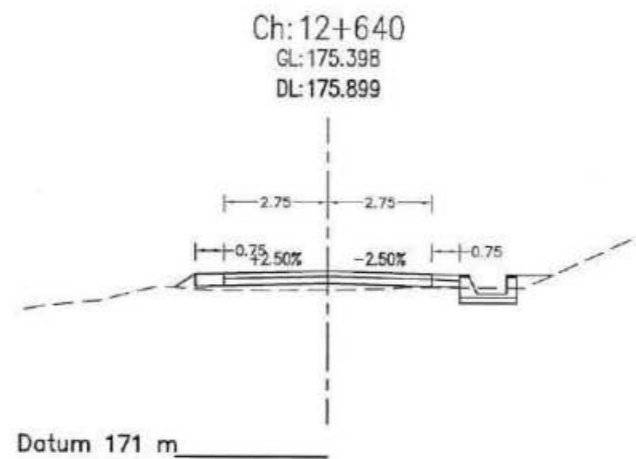


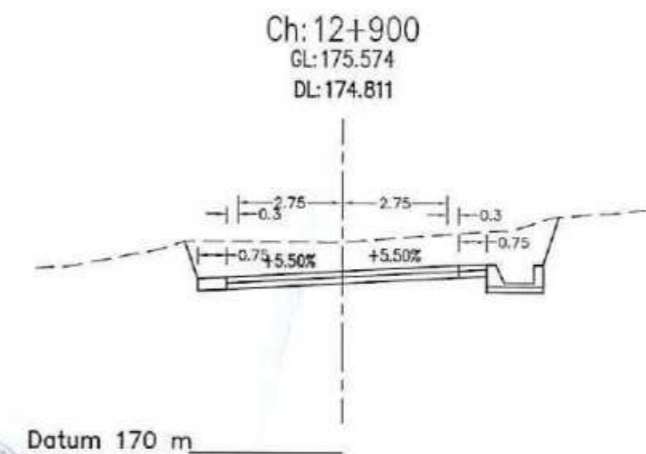
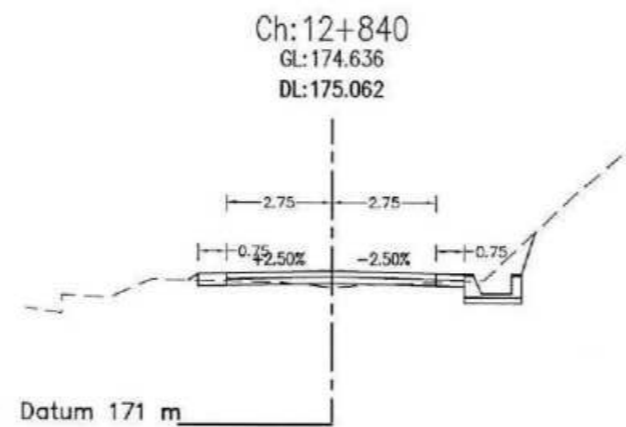
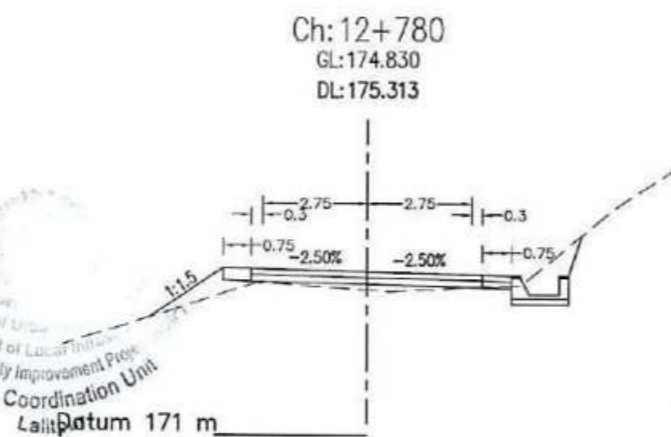
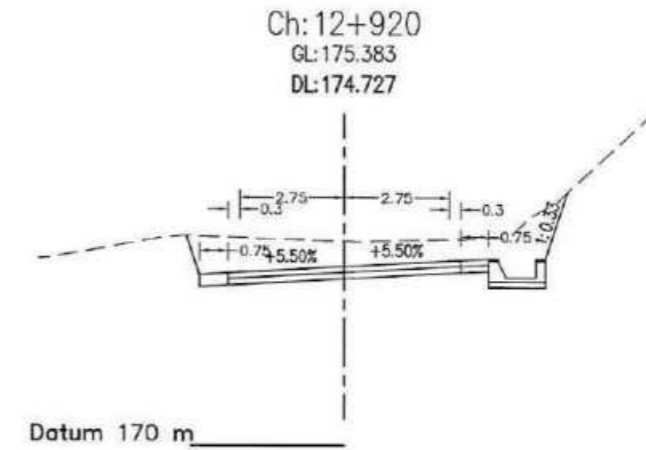
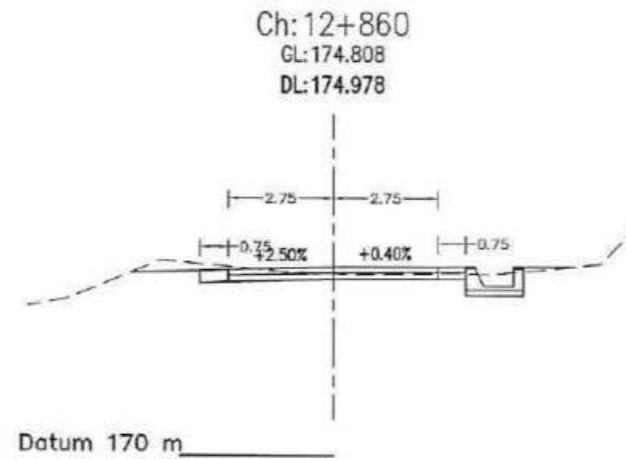
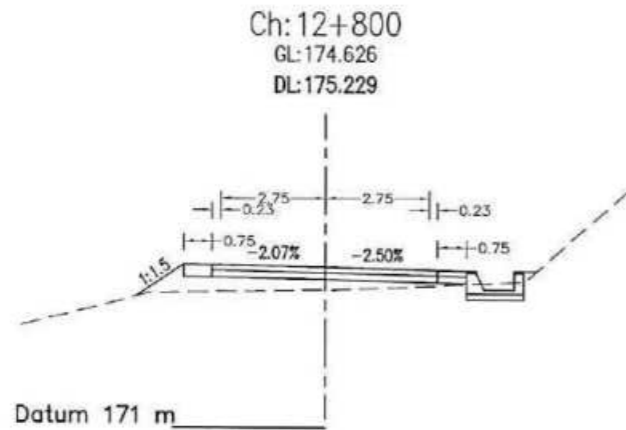
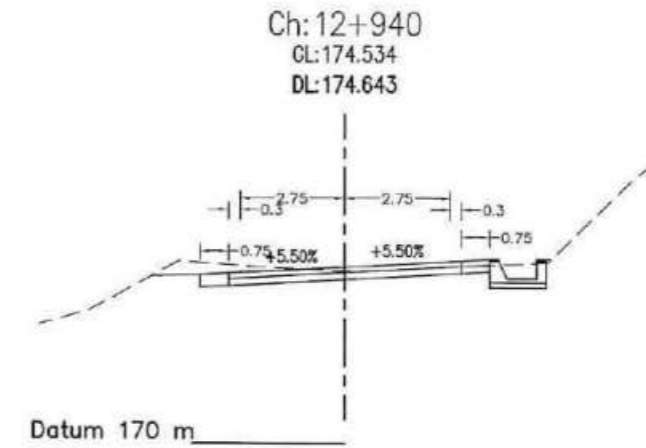
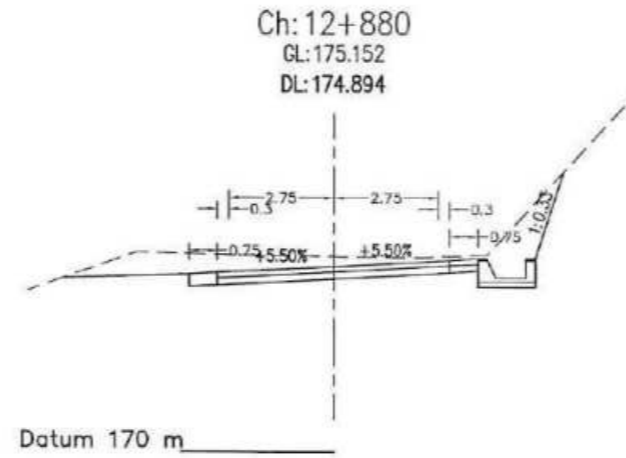
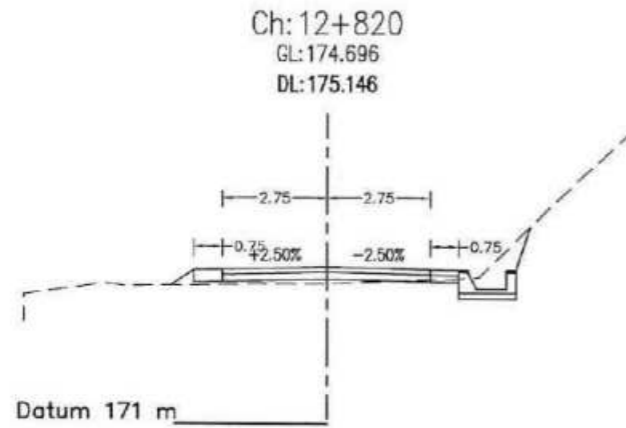
Cross-Section
12+240-12+400

DATE:
DRG NO : CS
SHEET NO : 69

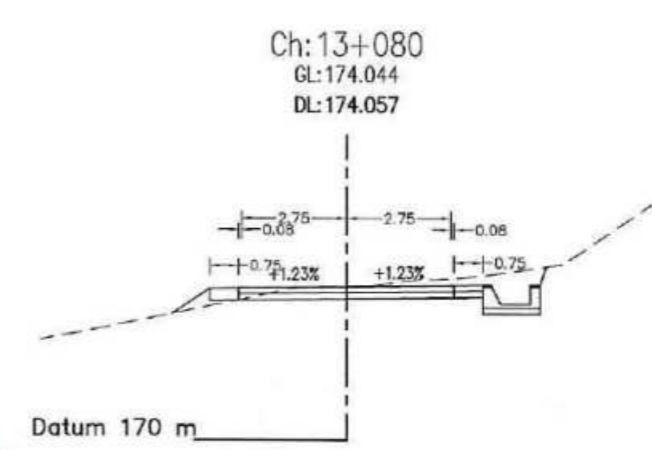
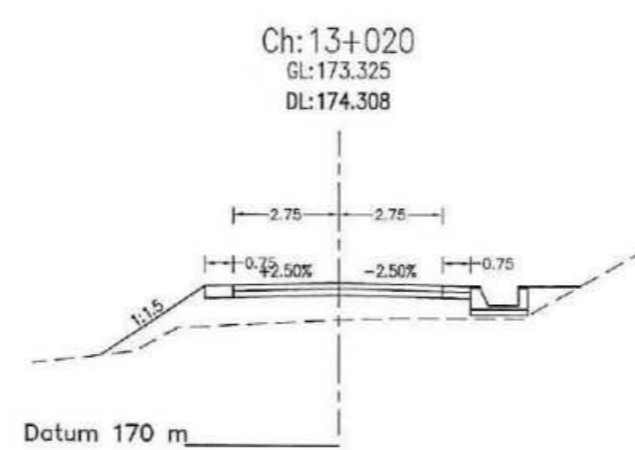
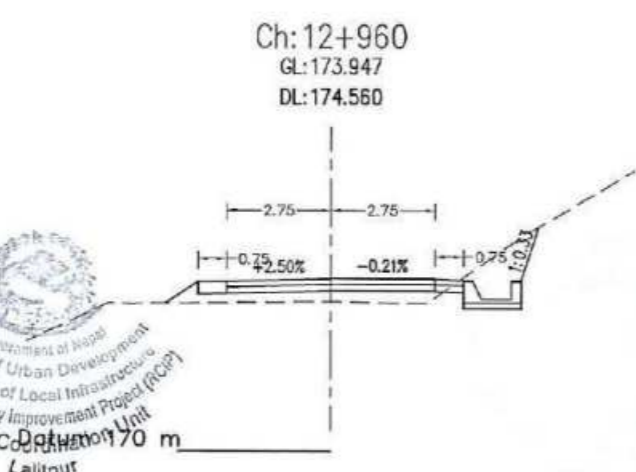
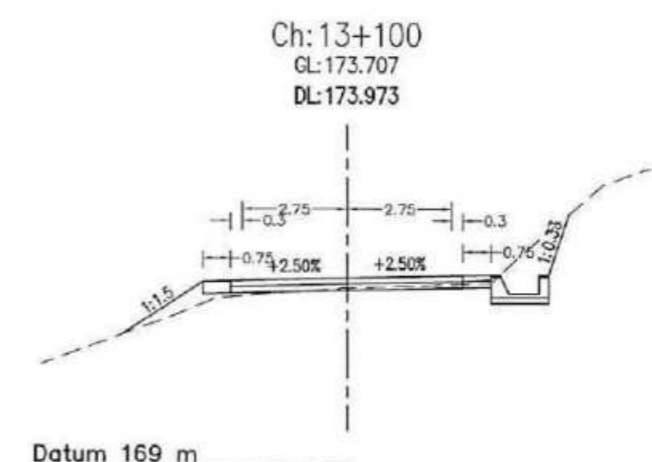
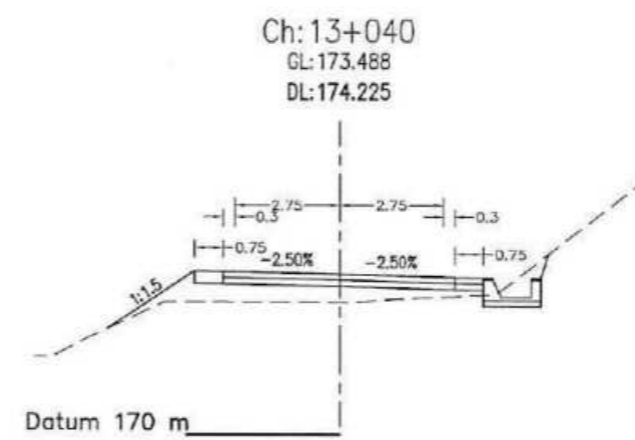
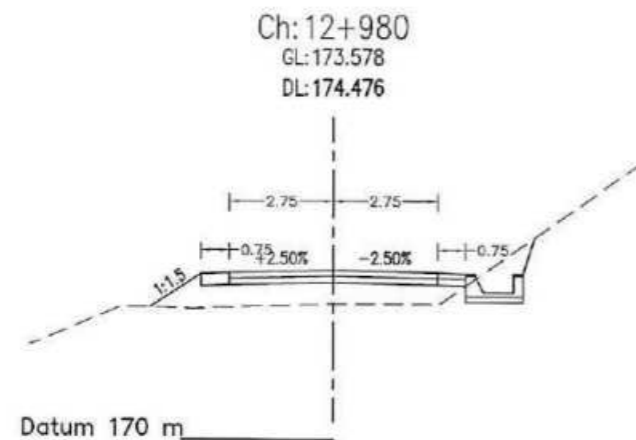
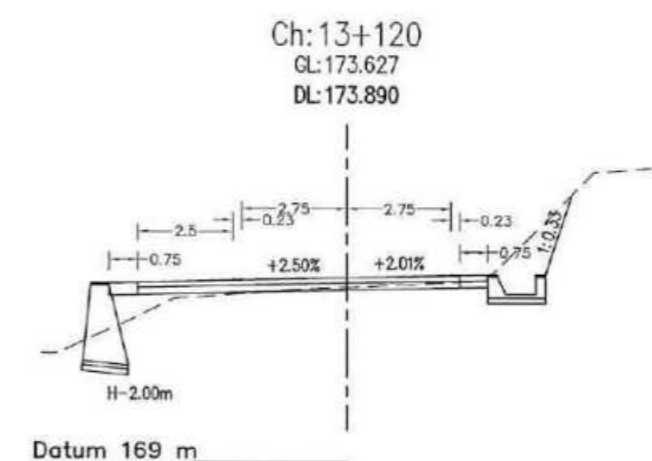
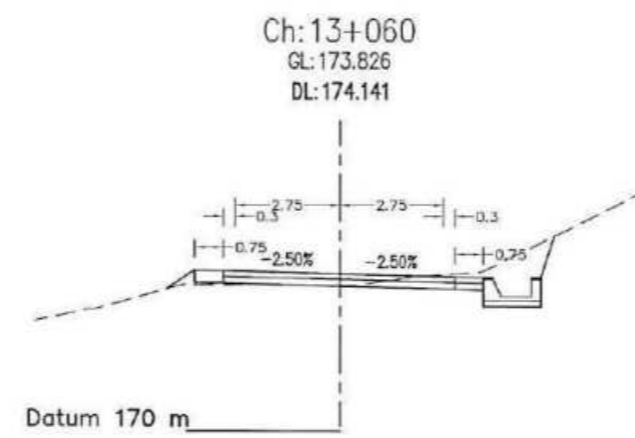
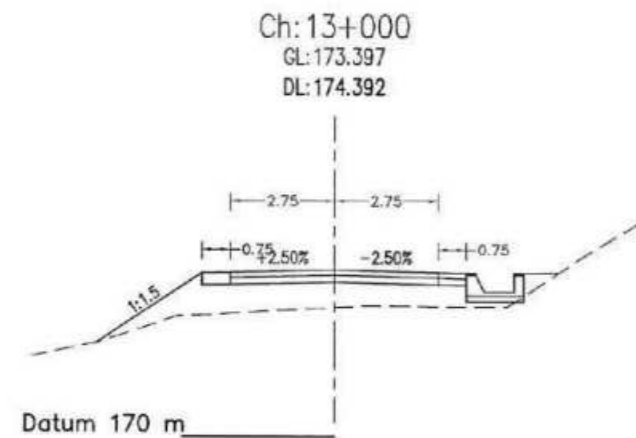


<p>Government of Nepal Ministry of Federal Affairs and General Administration Department of Local Infrastructure (DoLI) Rural Connectivity Improvement Project (RCIP) Project Coordination Unit (PCU) Pulchowk, Lalitpur</p>	<p>Consultant: Joint Venture of AVIYAAN - SOILTEST - CARD 254 Ekata Marg, New Baneshwor, Kathmandu-34, Nepal Phone: 977-1-4104307 Email: info@aviyaan.com</p>	<p>Jagadi - Dhansari - Ganeshman Charnath Na. Pa. (Province No - 2 Connecting) Road, Sindhuli</p>	DATE	REVISION	SIGNATURE	DESIGNED BY :	<p>SCALE 1:200</p>	<p>Cross-Section 12+420-12+580</p>	DATE:
						DRAWN BY :			DRG NO : CS
					CHECKED BY :			SHEET NO :	70
					APPROVED BY :				





Ministry of Urban
Department of Local Infrastructure
Rural Connectivity Improvement Project
Project Coordination Unit
Lalitpur



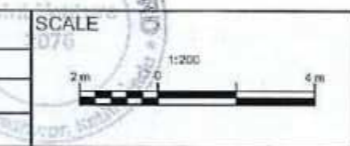
Government of Nepal
Ministry of Urban Development
Department of Local Infrastructure
Rural Connectivity Improvement Project (RCIP)
Project Coordination Unit
Lalitpur

Government of Nepal
Ministry of Federal Affairs and General Administration
Department of Local Infrastructure (DoLI)
Rural Connectivity Improvement Project (RCIP)
Project Coordination Unit (PCU)
Pulchowk, Lalitpur

Consultant:
Joint Venture of
AVIYAAN - SOILTEST - CARD
254 Ekata Marg, New Baneshwar,
Kathmandu-34, Nepal
Phone: 977-1-4104307
Email: info@aviyaan.com

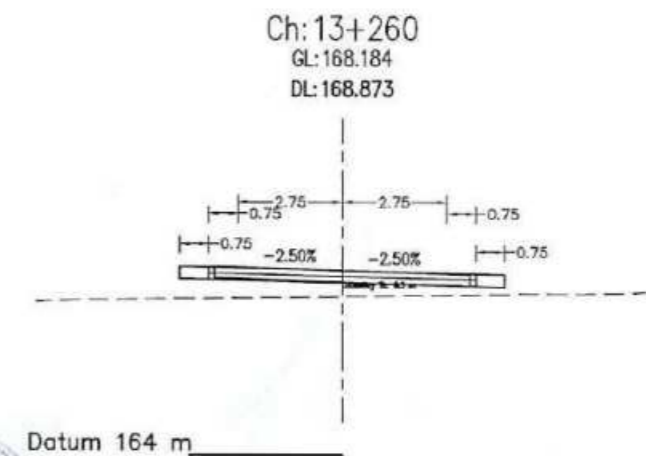
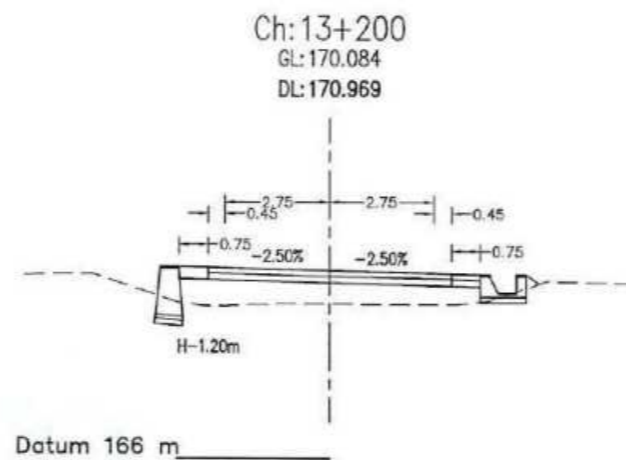
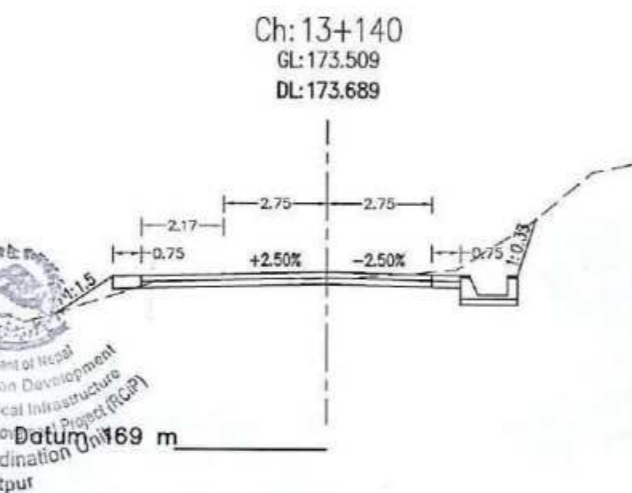
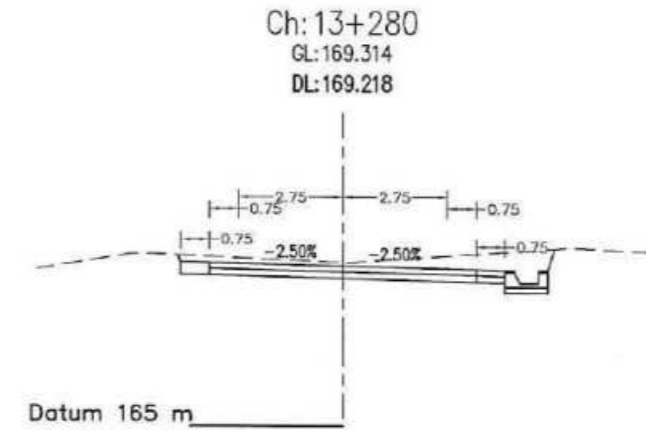
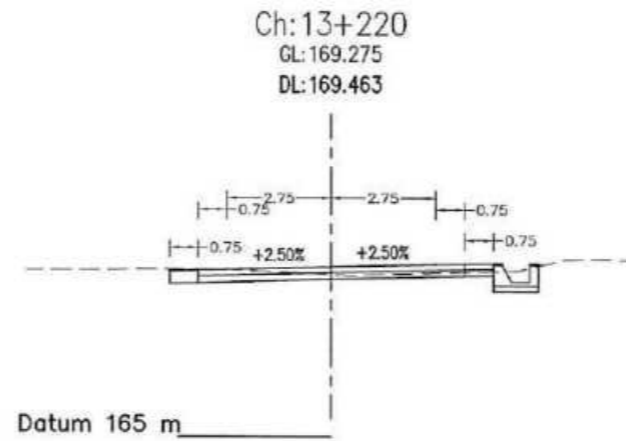
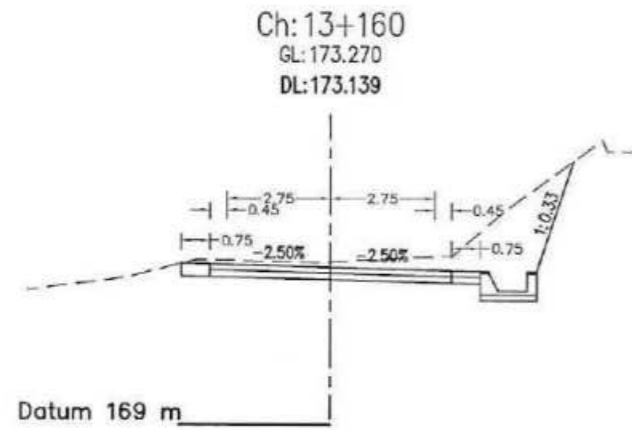
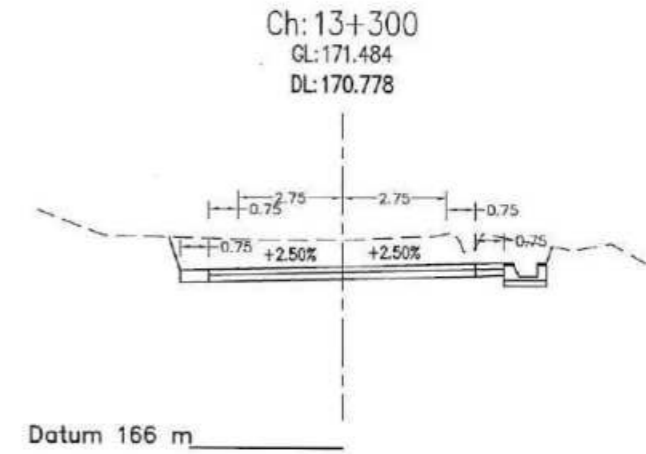
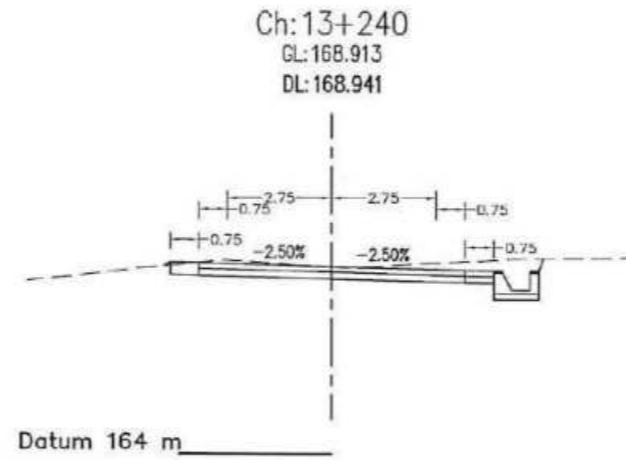
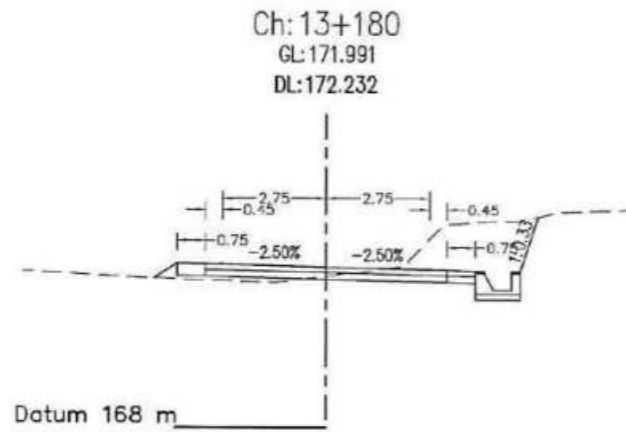
Jagadi - Dhansari -
Ganeshman Chamath Na. Pa.
(Province No - 2 Connecting)
Road, Sindhuli

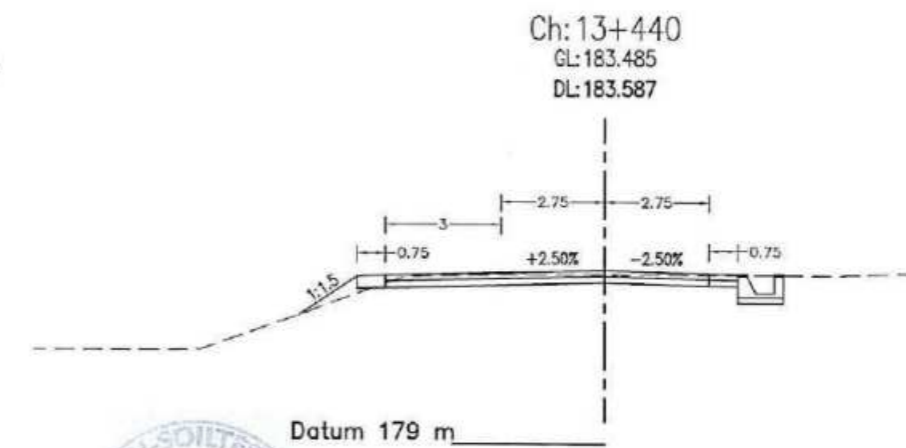
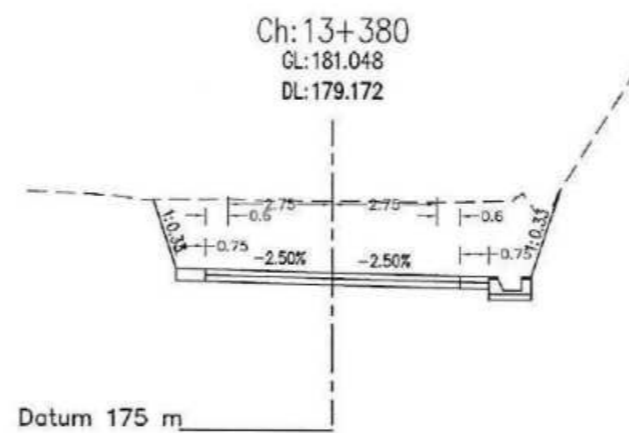
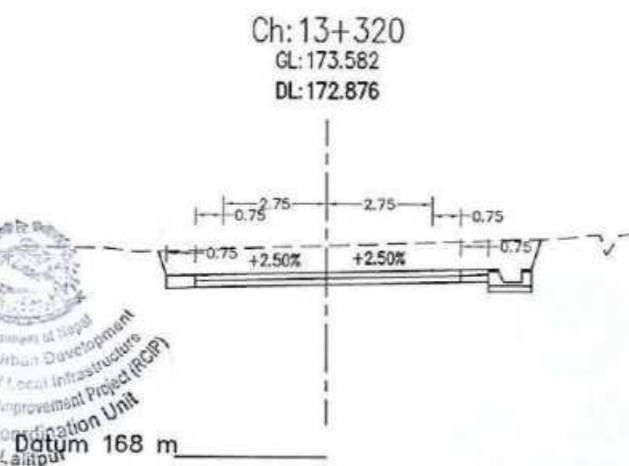
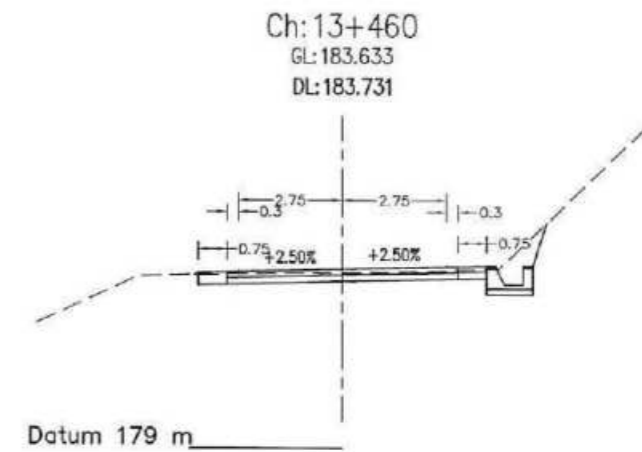
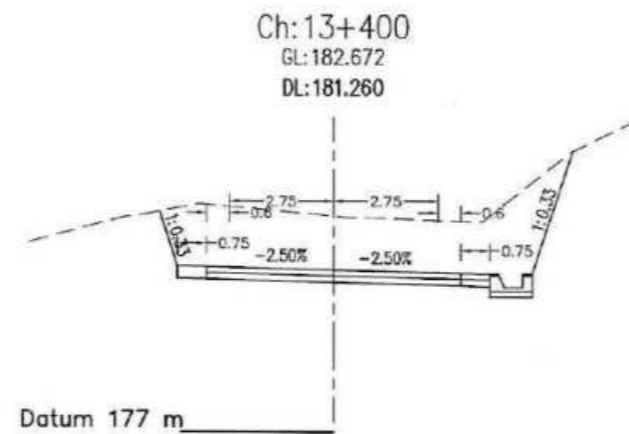
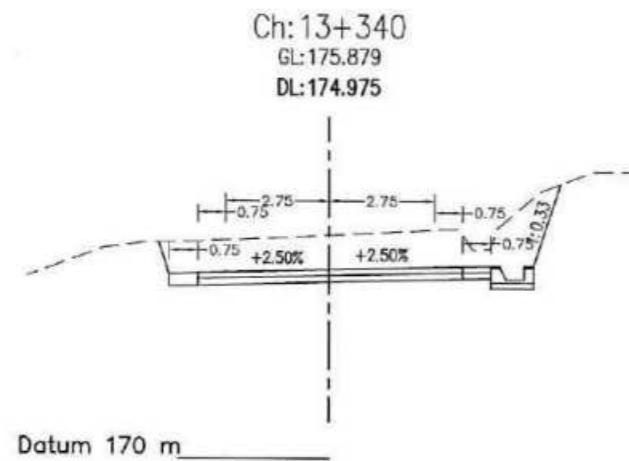
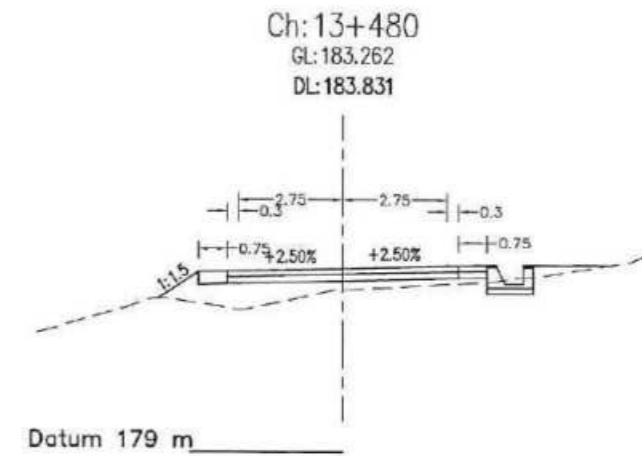
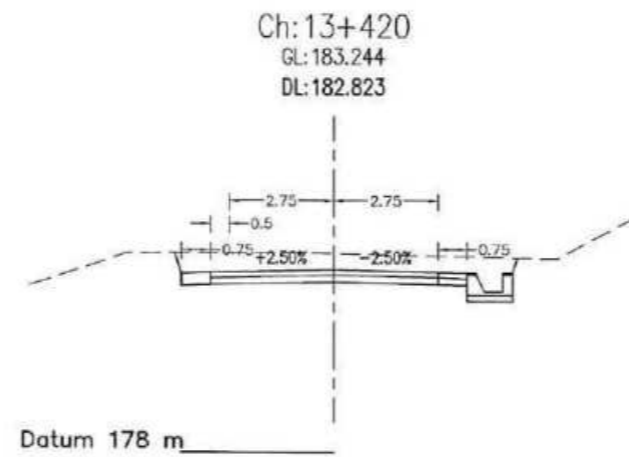
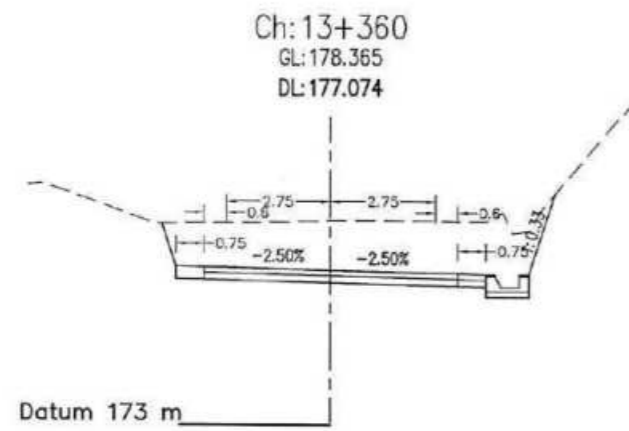
DATE	REVISION	SIGNATURE	DESIGNED BY :	DRAWN BY :	CHECKED BY :	APPROVED BY :



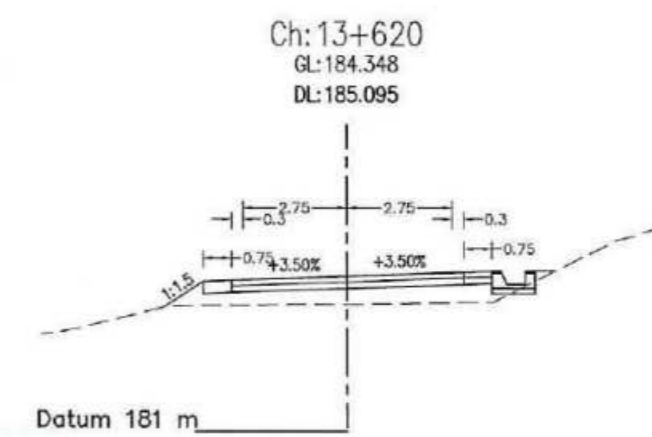
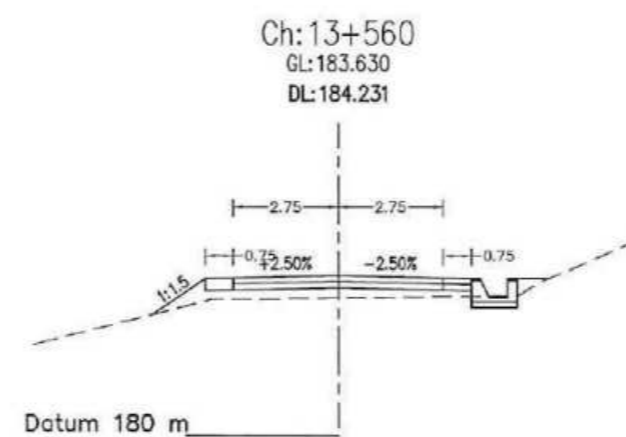
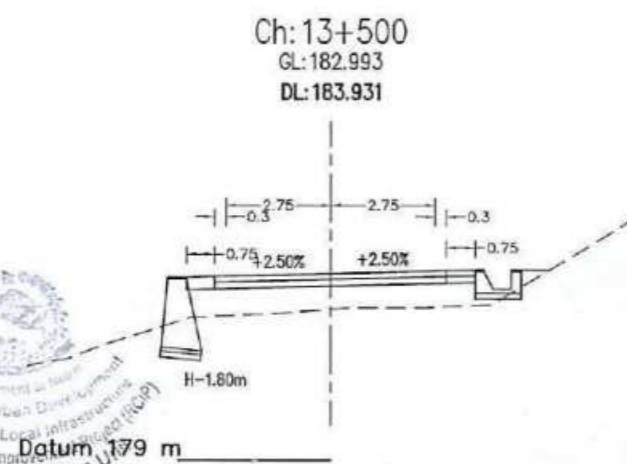
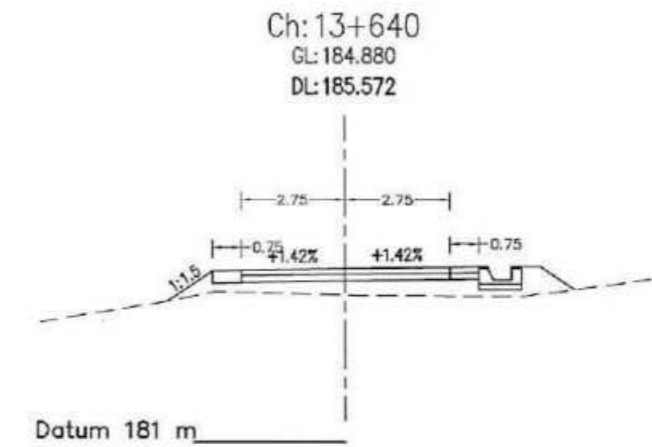
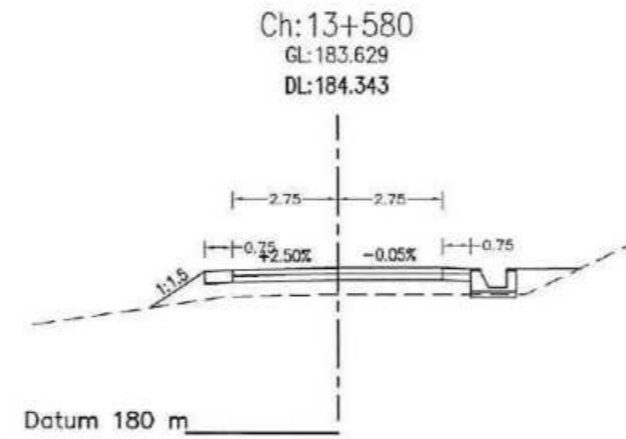
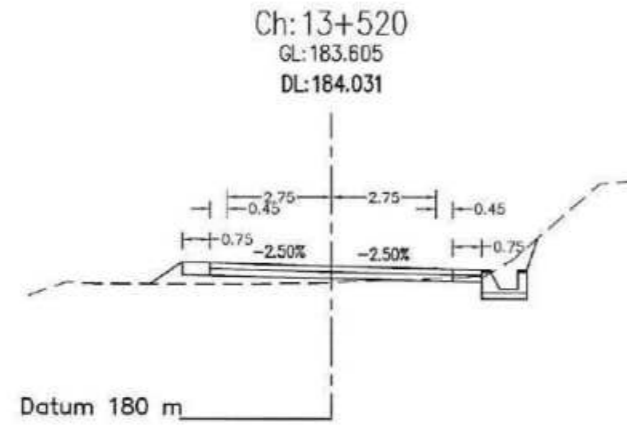
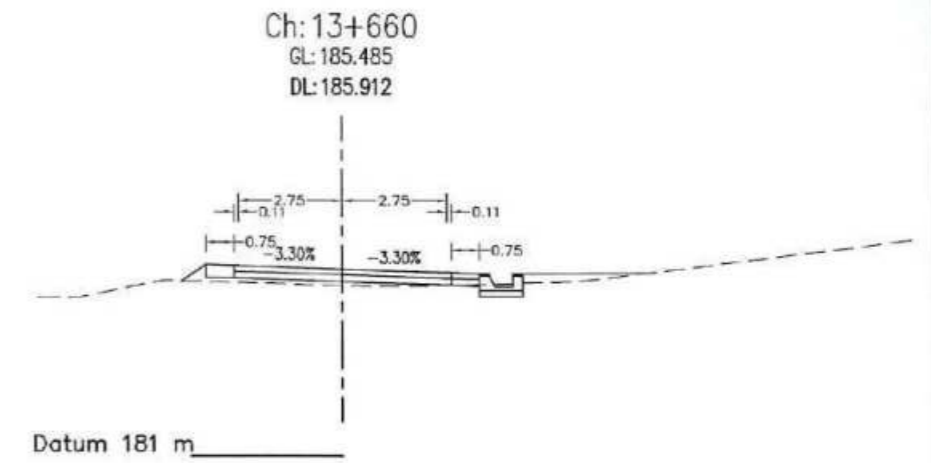
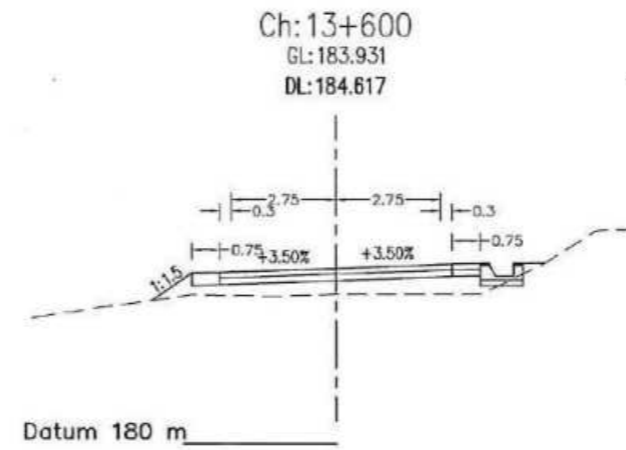
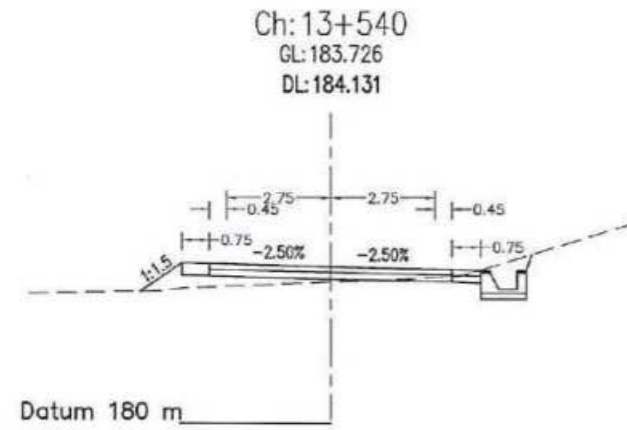
Cross-Section
12+960-13+120

DATE:
DRG NO : CS
SHEET NO : 73





<p>Government of Nepal Ministry of Federal Affairs and General Administration Department of Local Infrastructure (DoLI) Rural Connectivity Improvement Project (RCIP) Project Coordination Unit (PCU) Pulchowk, Lalitpur</p>	<p>Consultant: Joint Venture of AVIYAAN - SOILTEST - CARD 254 Ekata Marg, New Baneshwor, Kathmandu-34, Nepal Phone: 977-1-4404307 Email: info@aviyaan.com</p>	<p>Jagadi - Dhansari - Ganeshman Charnath Na. Pa. (Province No - 2 Connecting) Road, Sindhuli</p>	DATE	REVISION	SIGNATURE	DESIGNED BY :	<p>SCALE 1:200 </p>	<p>Cross-Section 13+320-13+480</p>	DATE:
						DRAWN BY :			DRG NO : CS
						CHECKED BY :			SHEET NO :
						APPROVED BY :			75



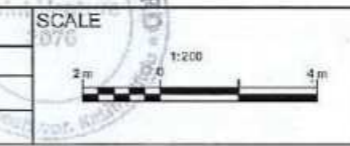
Government of Nepal
Ministry of Urban Development
Department of Local Infrastructure
Rural Connectivity Improvement Project (RCIP)
Project Coordination Unit
Lalitpur

Government of Nepal
Ministry of Federal Affairs and General Administration
Department of Local Infrastructure (DoLI)
Rural Connectivity Improvement Project (RCIP)
Project Coordination Unit (PCU)
Pulchowk, Lalitpur

Consultant:
Joint Venture of
AVIYAAN - SOILTEST - CARD
254 Bista Marg, New Baneshwar,
Kathmandu-34, Nepal
Phone: 977-1-4104307
Email: info@aviyaan.com

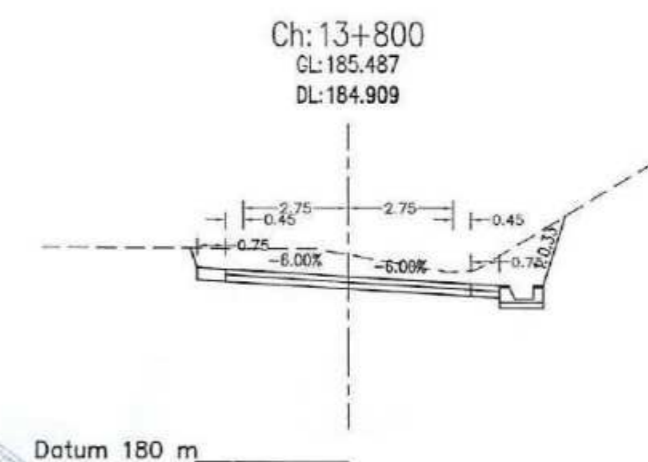
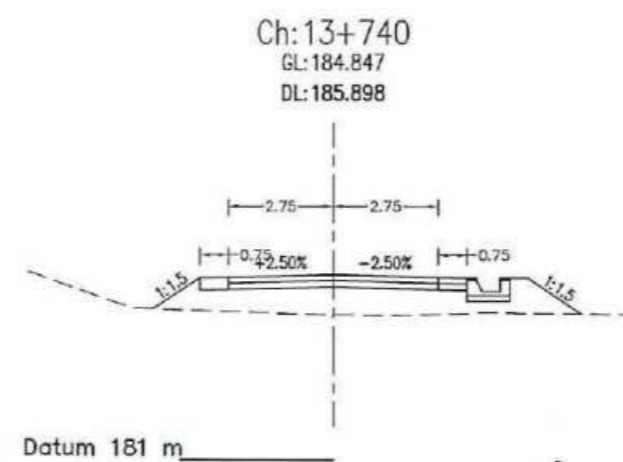
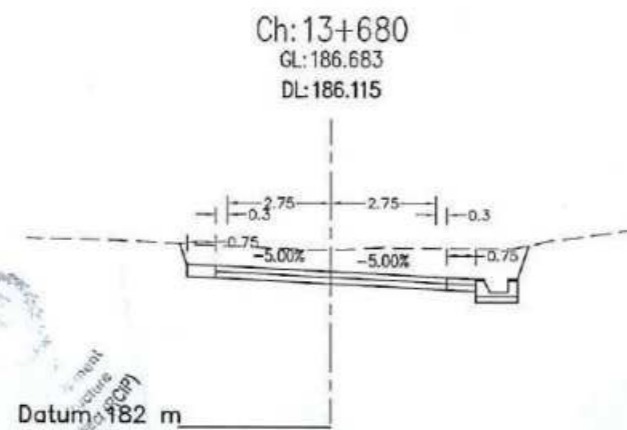
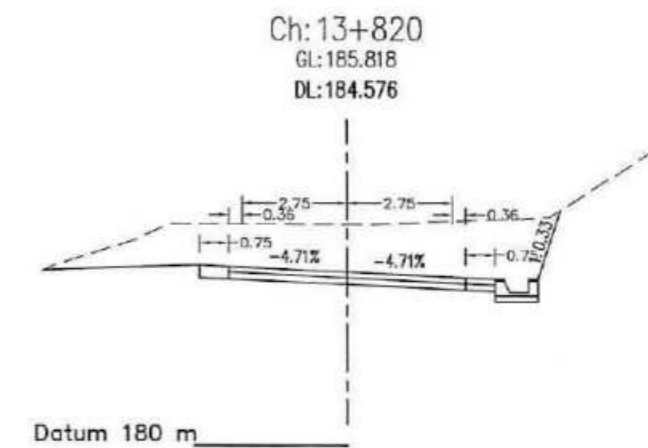
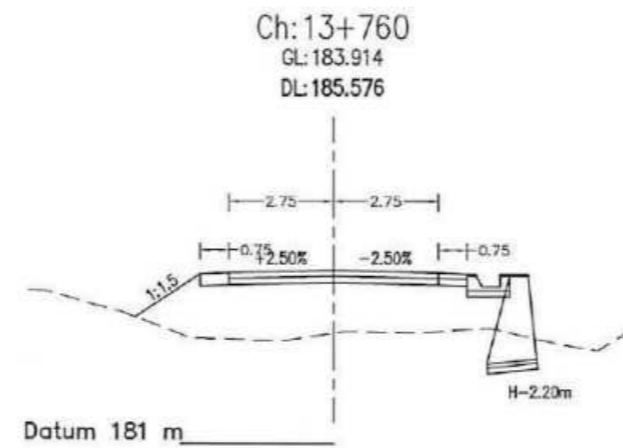
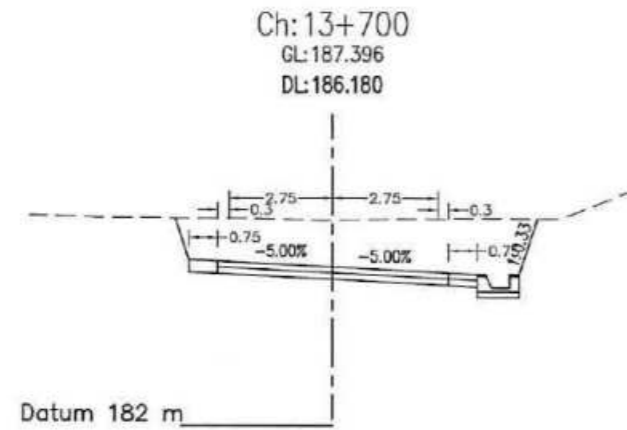
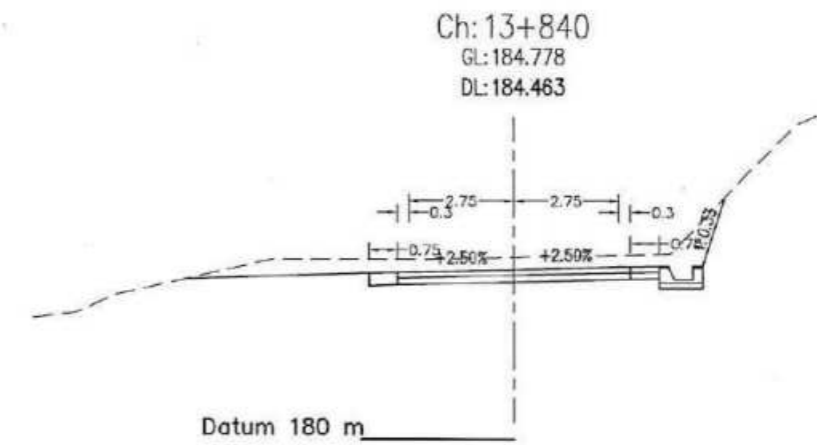
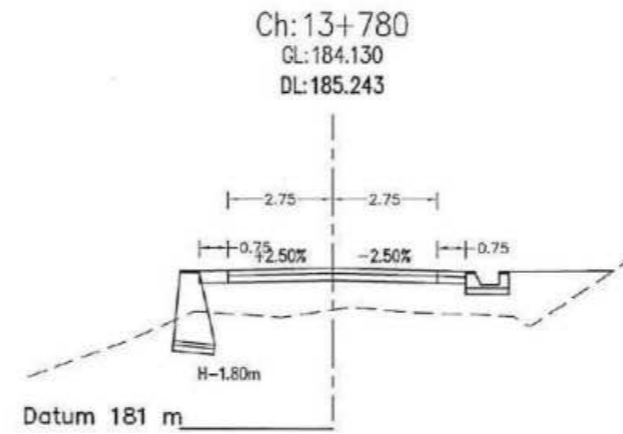
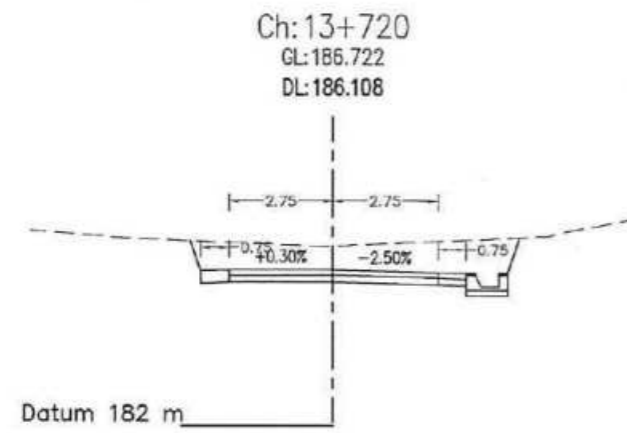
Jagadi - Dhansari -
Ganeshman Charnath Na. Pa.
(Province No - 2 Connecting)
Road, Sindhuli

DATE	REVISION	SIGNATURE	DESIGNED BY :	DRAWN BY :	CHECKED BY :	APPROVED BY :

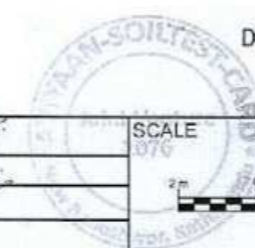


Cross-Section
13+500-13+660

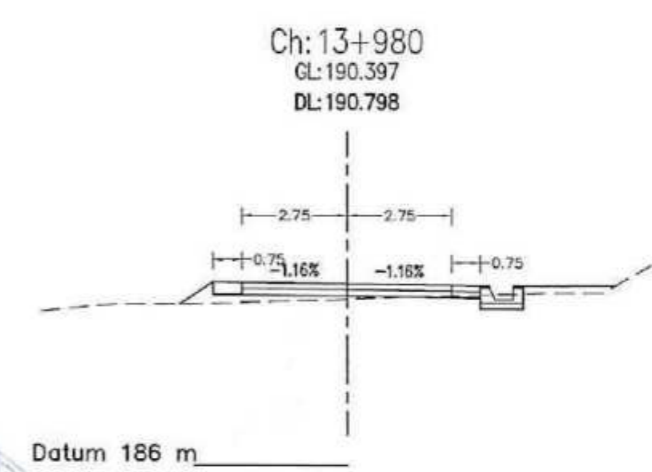
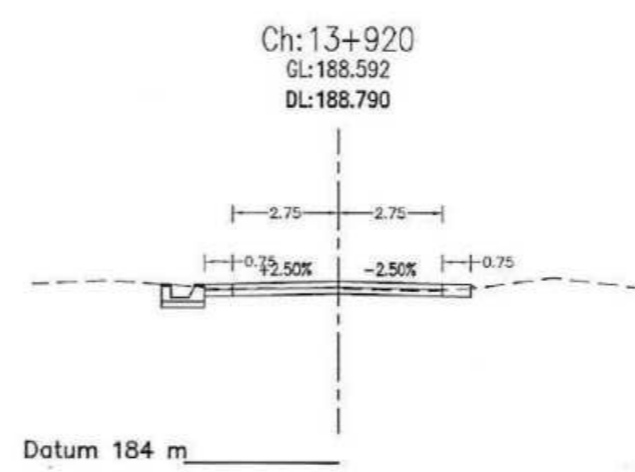
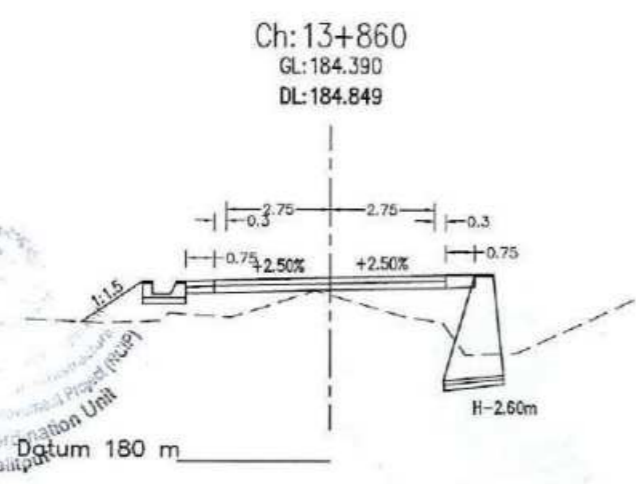
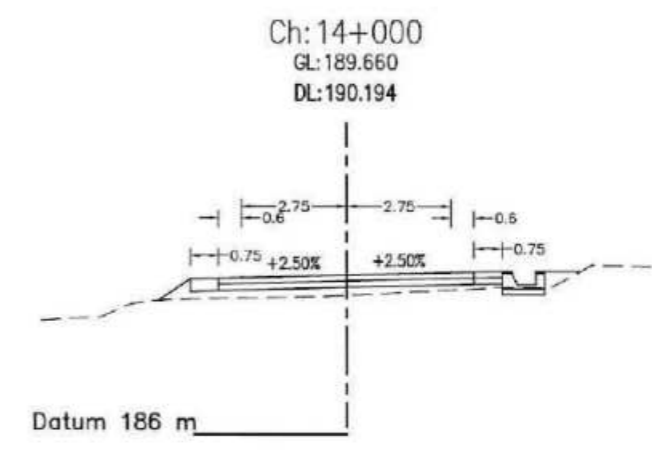
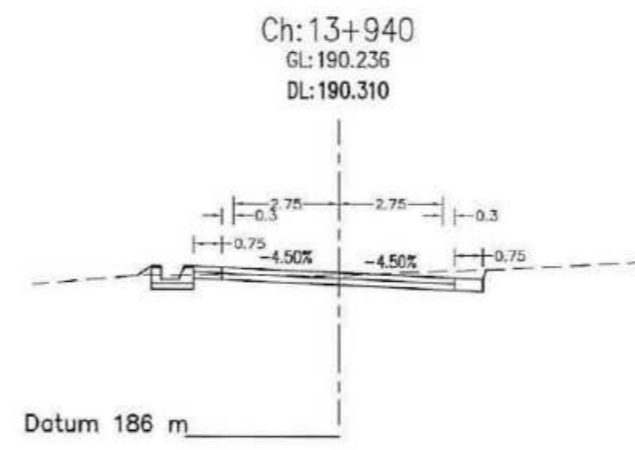
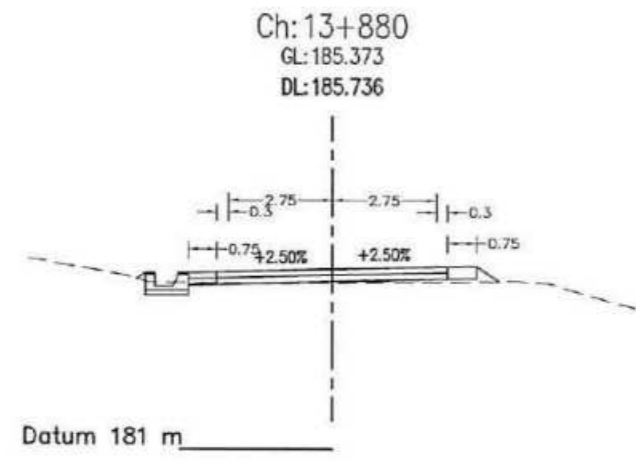
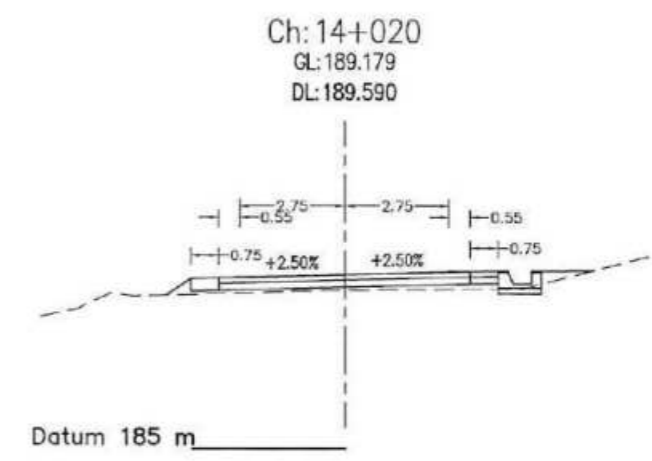
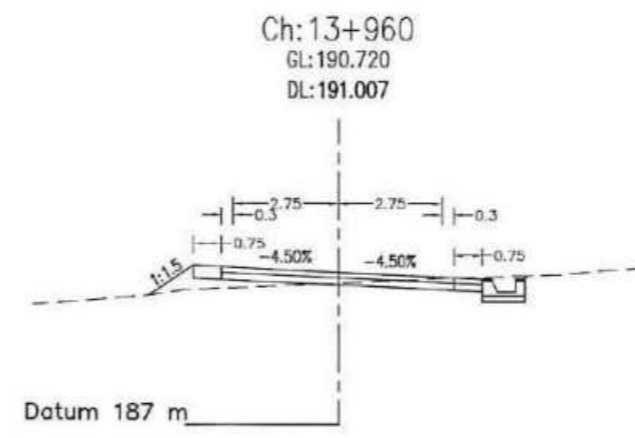
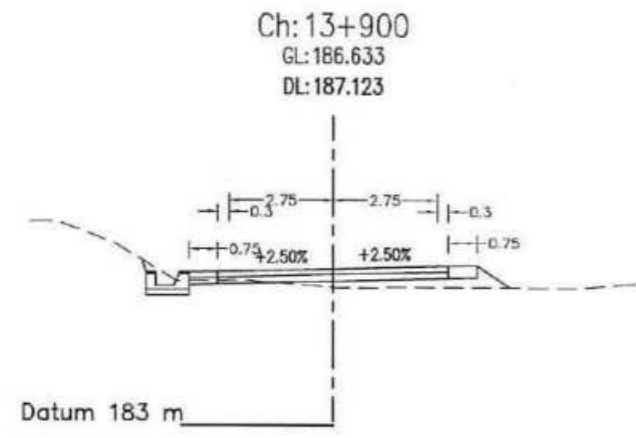
DATE:
DRG NO : CS
SHEET NO : 76



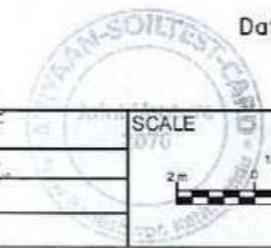
Project Coordination Unit (PCU)
Pulchowk, Lalitpur



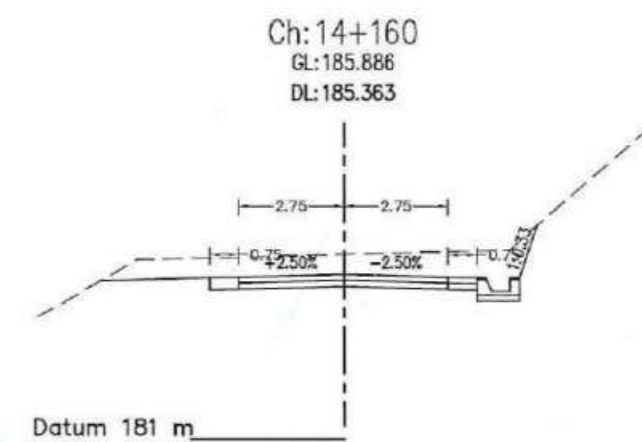
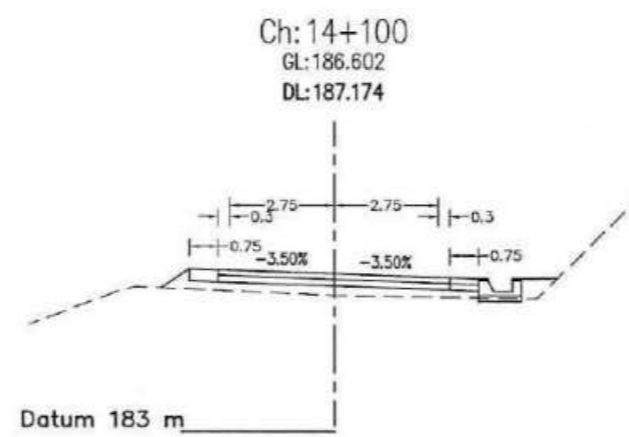
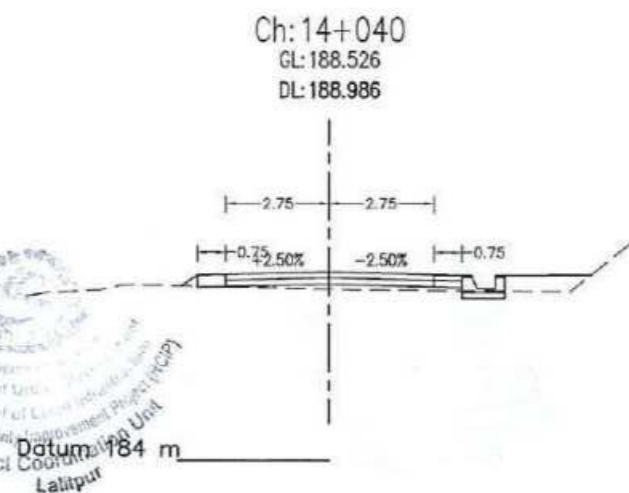
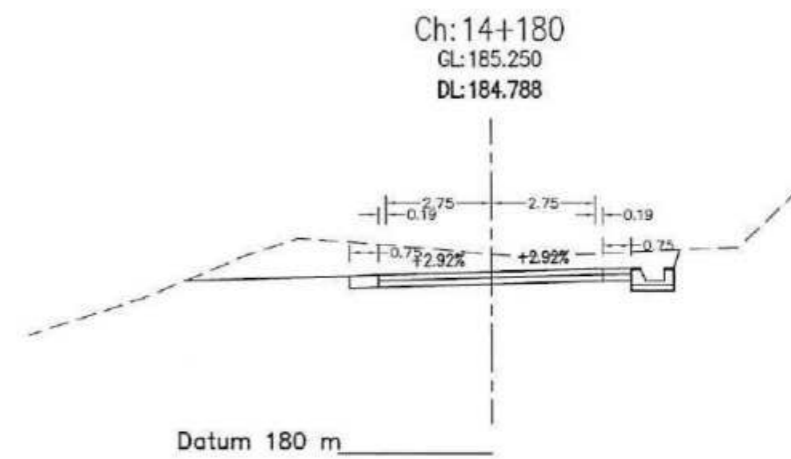
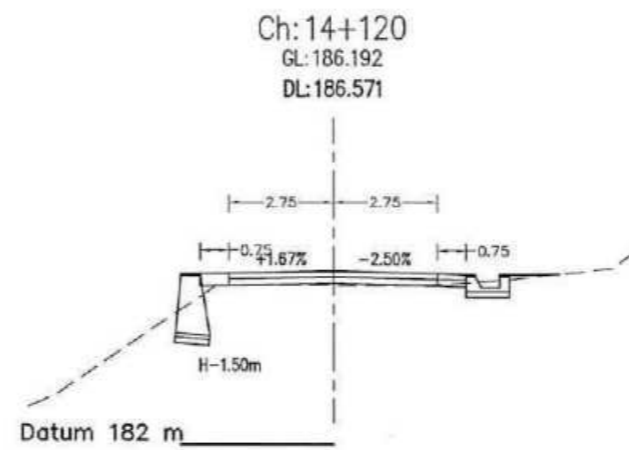
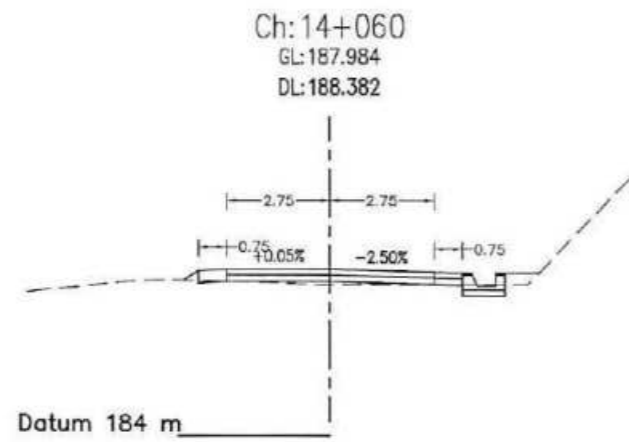
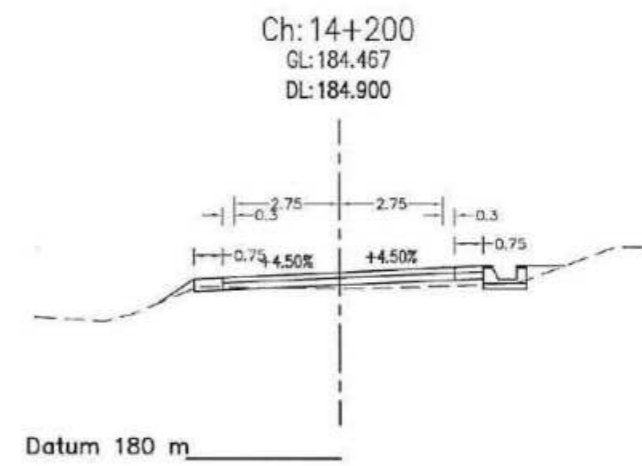
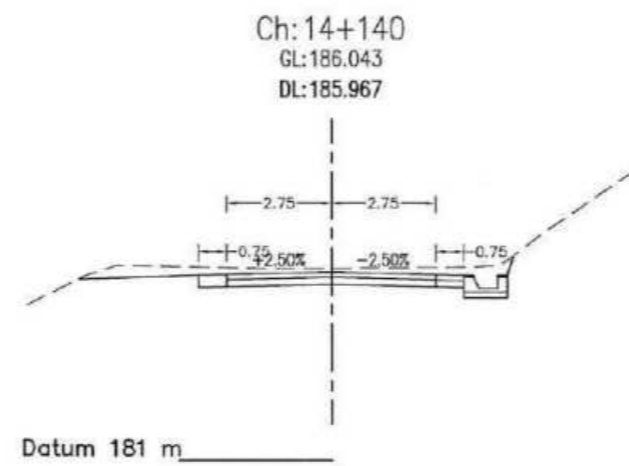
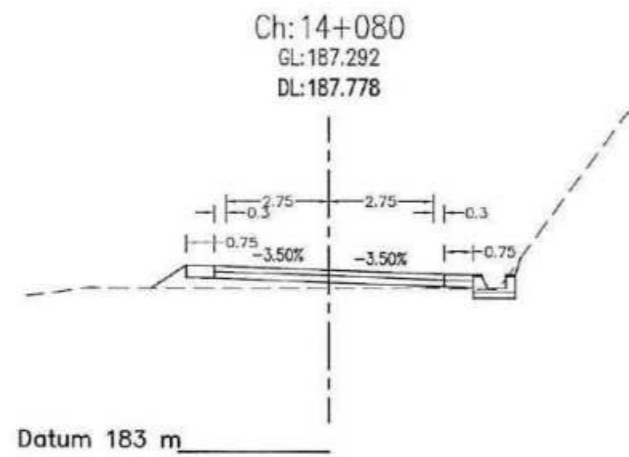
<p>Government of Nepal Ministry of Federal Affairs and General Administration Department of Local Infrastructure (DoLI) Rural Connectivity Improvement Project (RCIP) Project Coordination Unit (PCU) Pulchowk, Lalitpur</p>	<p>Consultant: Joint Venture of AVIYAAN - SOILTEST - CARD 254 Ekata Marg, New Baneshwor, Kathmandu-34, Nepal Phone: 977-1-4104307 Email: info@aviyaan.com</p>	<p>Jagadi - Dhansari - Ganeshman Charnath Na. Pa. (Province No - 2 Connecting) Road, Sindhuli</p>	DATE	REVISION	SIGNATURE	DESIGNED BY :		<p>Cross-Section 13+680-13+840</p>	DATE:
						DRAWN BY :			DRG NO : CS
						CHECKED BY :			SHEET NO :
						APPROVED BY :			77



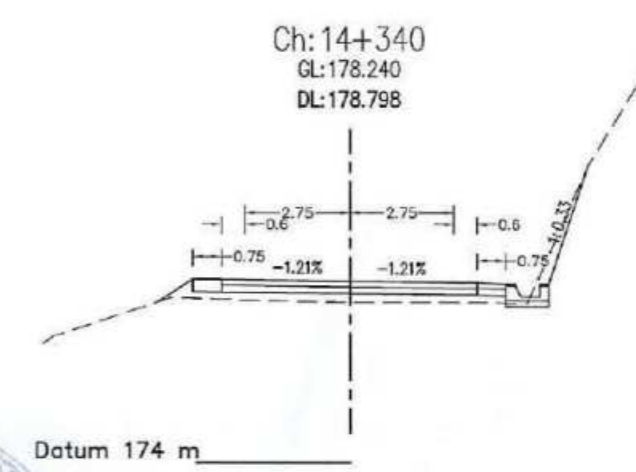
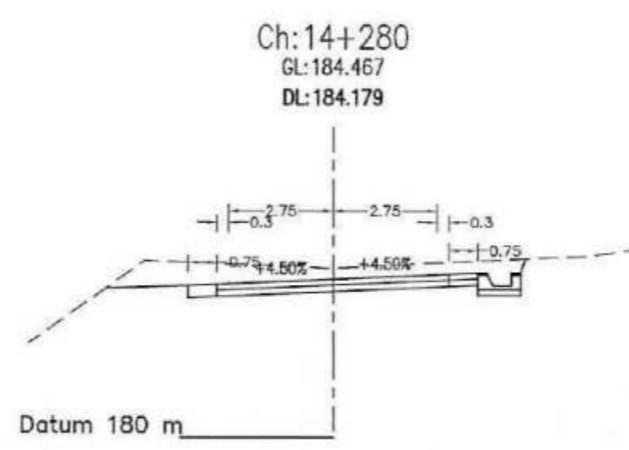
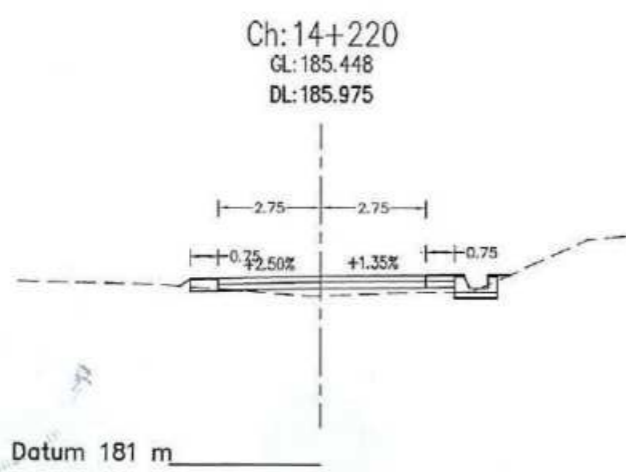
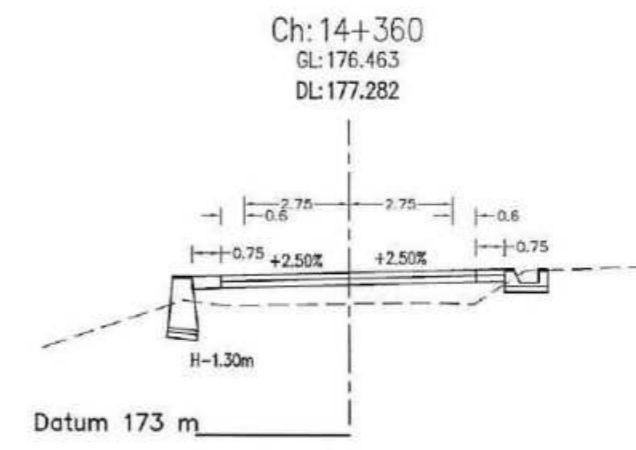
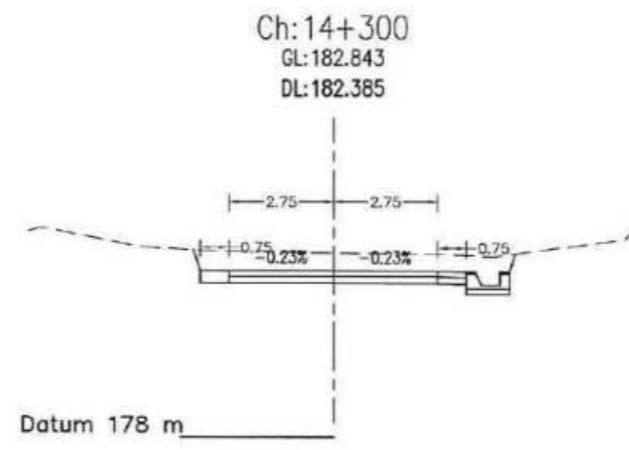
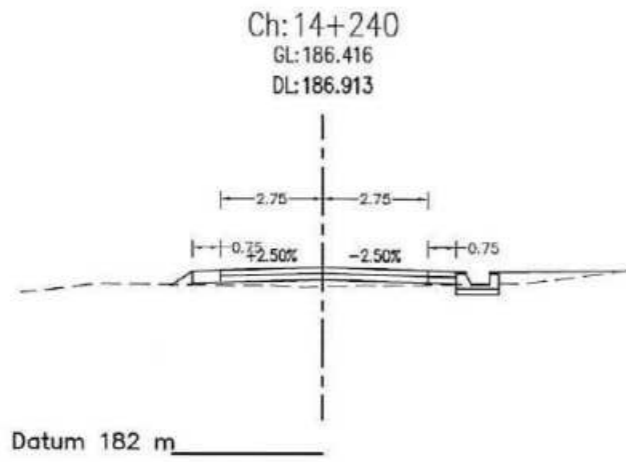
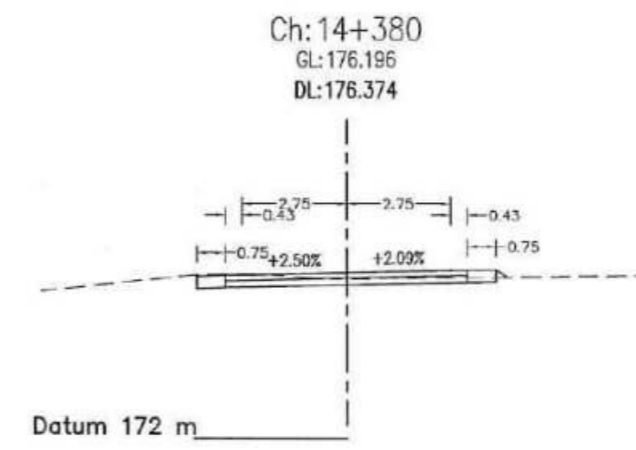
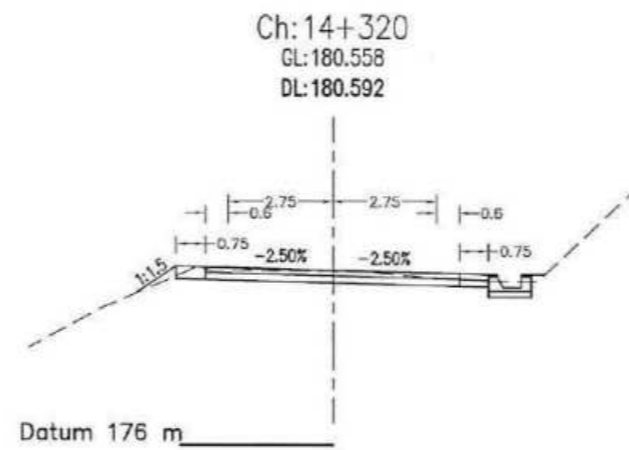
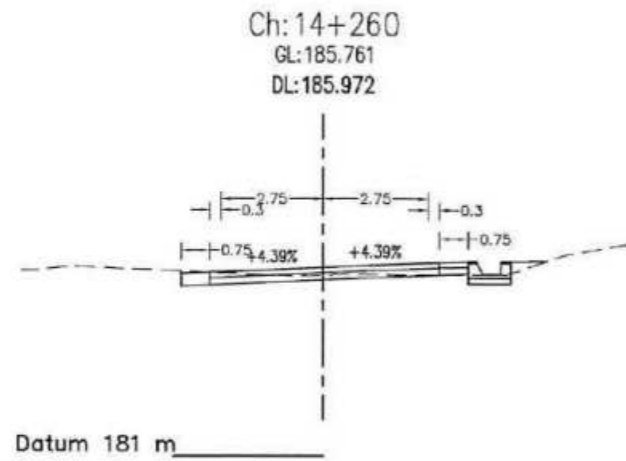
Project Coordination Unit
Lalitpur



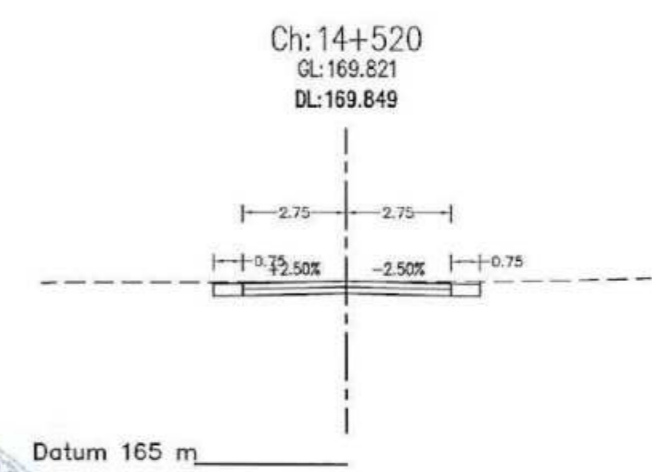
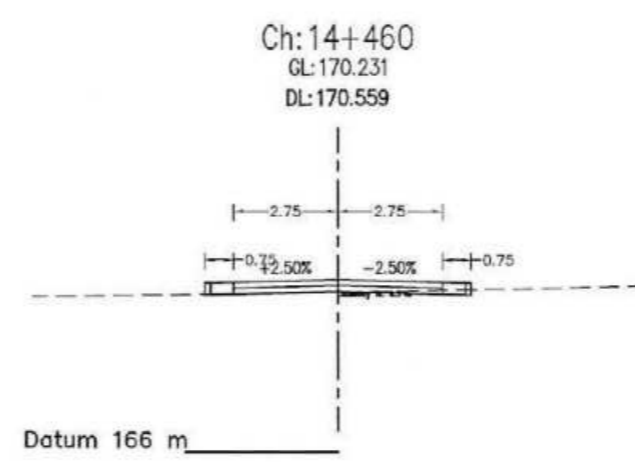
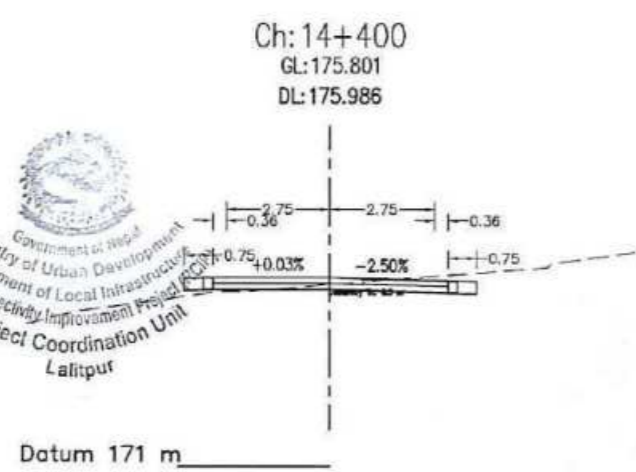
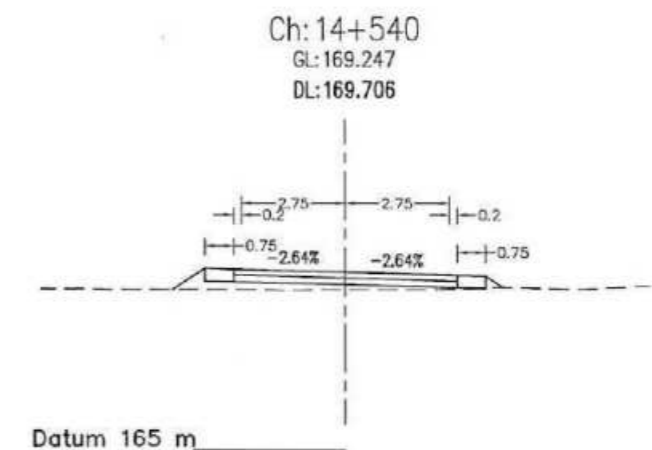
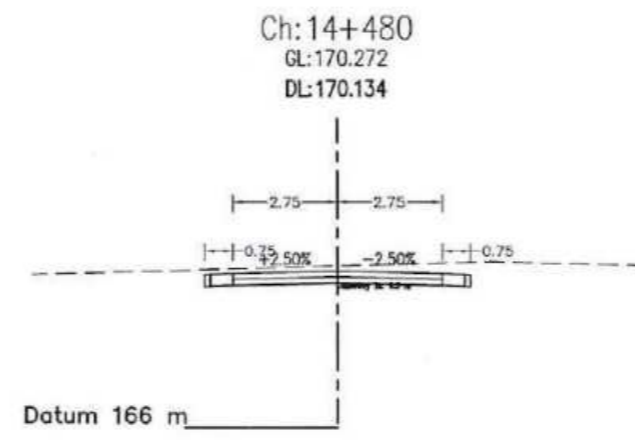
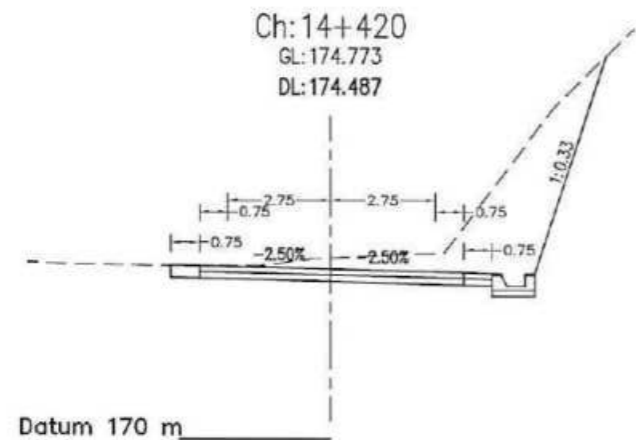
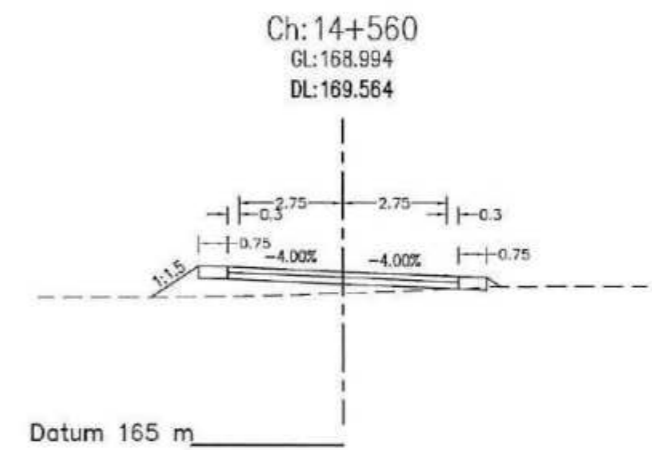
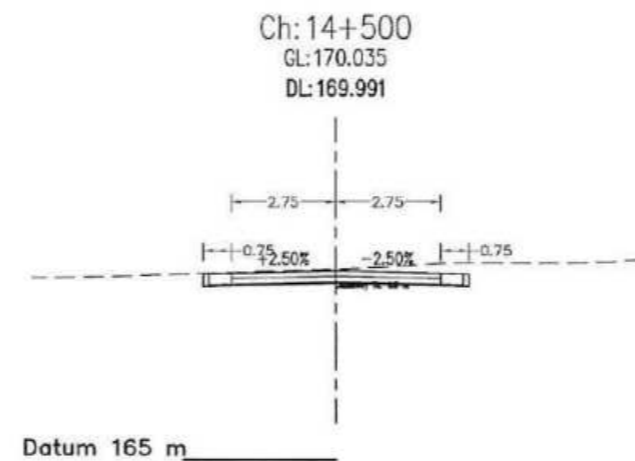
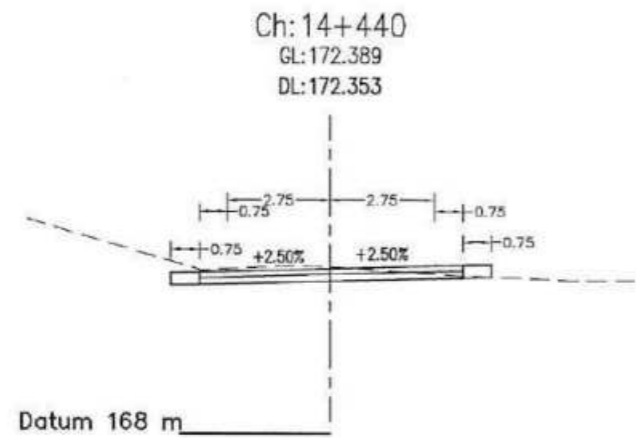
<p>Government of Nepal Ministry of Federal Affairs and General Administration Department of Local Infrastructure (DoLI) Rural Connectivity Improvement Project (RCIP) Project Coordination Unit (FCU) Pulchowk, Lalitpur</p>	<p>Consultant: Joint Venture of AVIYAAN - SOILTEST - CARD 254 Ekata Marg, New Baneshwor, Kathmandu-34, Nepal Phone: 977-1-4104307 Email: info@aviyaan.com</p>	<p>Jagadi - Dhansari - Ganeshman Chamath Na. Pa. (Province No - 2 Connecting) Road, Sindhuli</p>	DATE	REVISION	SIGNATURE	DESIGNED BY : <i>G.S.</i>	<p>SCALE 1:200 2m 4m</p>	<p>Cross-Section 13+860-14+020</p>	DATE:
						DRAWN BY : <i>H.P.</i>			DRG NO : CS
						CHECKED BY :			SHEET NO :
						APPROVED BY :			78



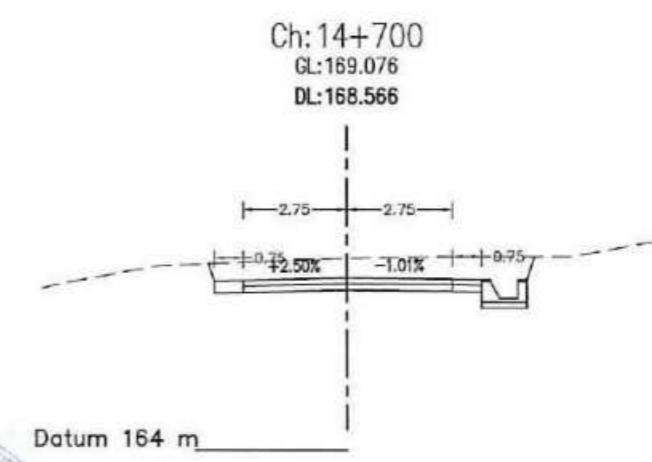
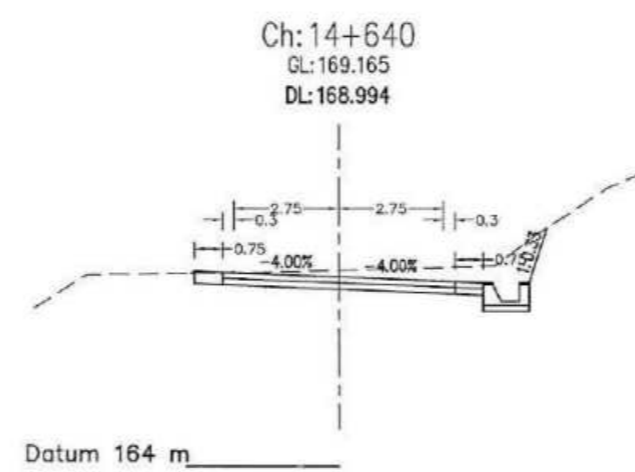
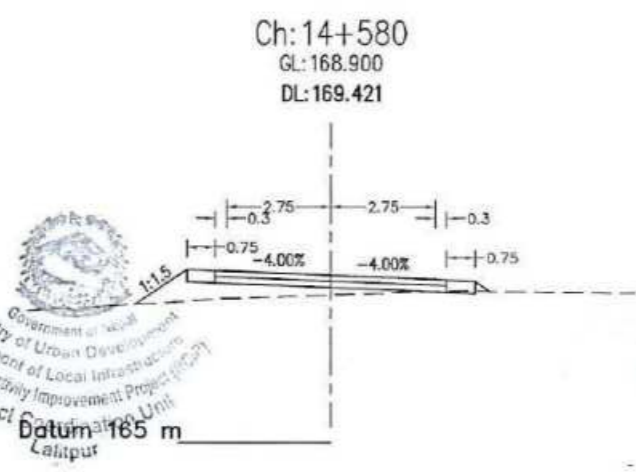
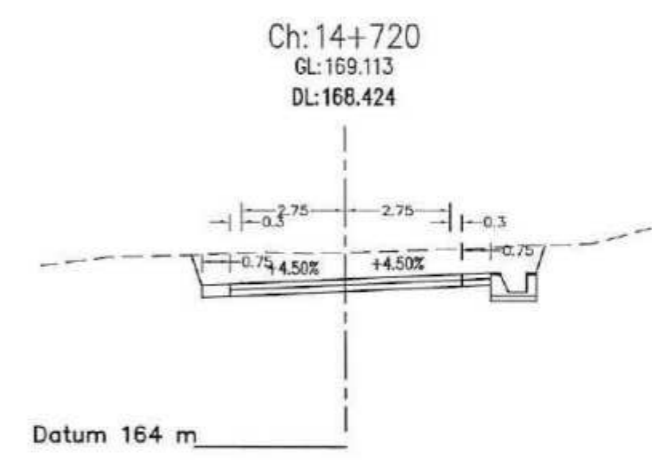
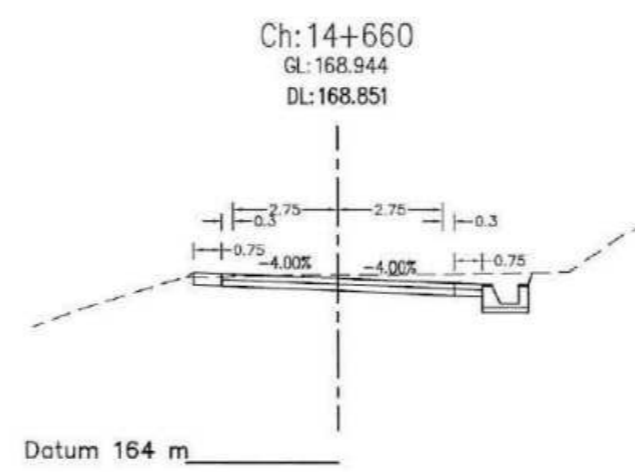
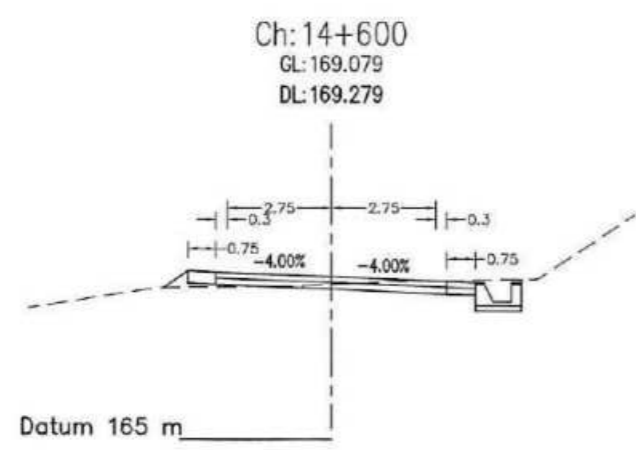
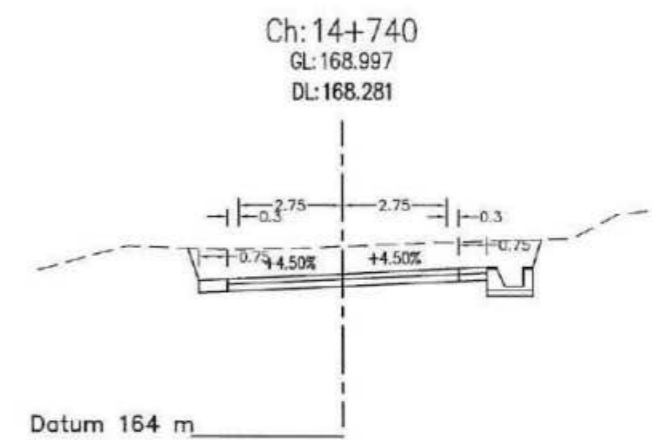
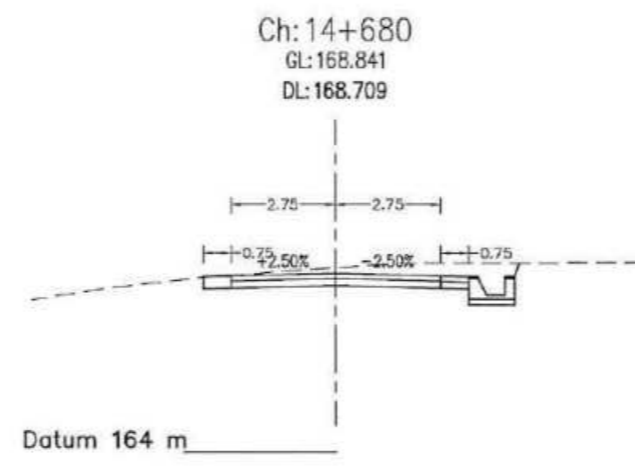
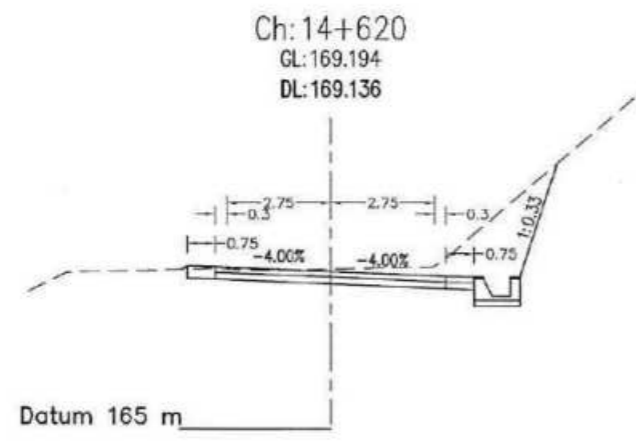
Government of Nepal Ministry of Federal Affairs and General Administration Department of Local Infrastructure (DoLI) Rural Connectivity Improvement Project (RCIP) Project Coordination Unit (PCU) Pulchowk, Lalitpur	Consultant: Joint Venture of AVIYAAN - SOILTEST - CARD 254 Ekata Marg, New Baneshwor, Kathmandu-34, Nepal Phone: 977-1-4104307 Email: info@aviyaan.com	Jagadi - Dhansari - Ganeshman Charnath Na. Pa. (Province No - 2 Connecting) Road, Sindhuli	DATE	REVISION	SIGNATURE	DESIGNED BY : <i>G.H.</i>	SCALE 070 	Cross-Section 14+040-14+200	DATE:
						DRAWN BY : <i>W.H.</i>			DRG NO : CS
					CHECKED BY :	APPROVED BY :		SHEET NO :	79



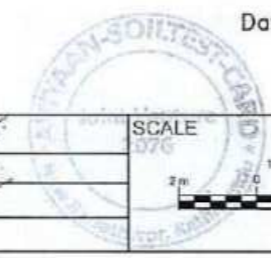
<p>Government of Nepal Ministry of Federal Affairs and General Administration Department of Local Infrastructure (DoLI) Rural Connectivity Improvement Project (RCIP) Project Coordination Unit (PCU) Pulchowk, Lalitpur</p>	<p>Consultant: Joint Venture of AVIYAAN - SOILTEST - CARD 254 Ekista Marg, New Baneshwor, Kathmandu-34, Nepal Phone: 977-1-4404307 Email: info@aviyaan.com</p>	<p>Jagadi - Dhansari - Ganeshman Charnath Na. Pa. (Province No - 2 Connecting) Road, Sindhuli</p>	DATE	REVISION	SIGNATURE	DESIGNED BY :	<p>SCALE 1:200</p>	<p>Cross-Section 14+220-14+380</p>	DATE:
						DRAWN BY :			DRG NO : CS
					CHECKED BY :	APPROVED BY :		SHEET NO : 80	


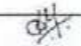
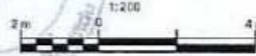
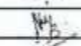



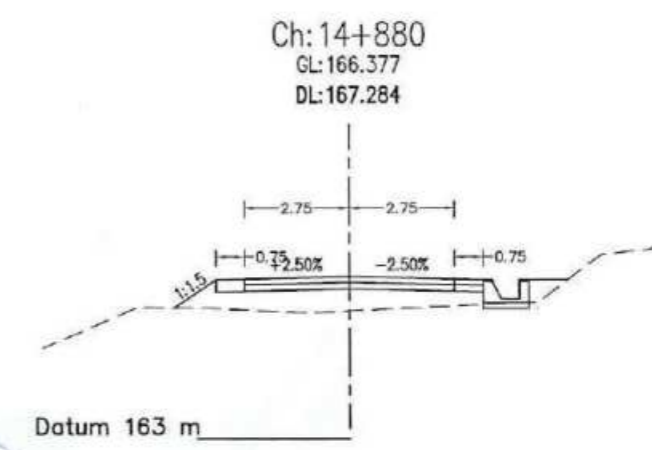
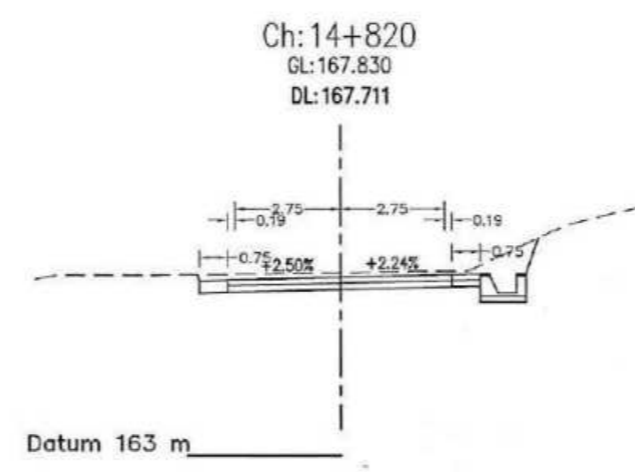
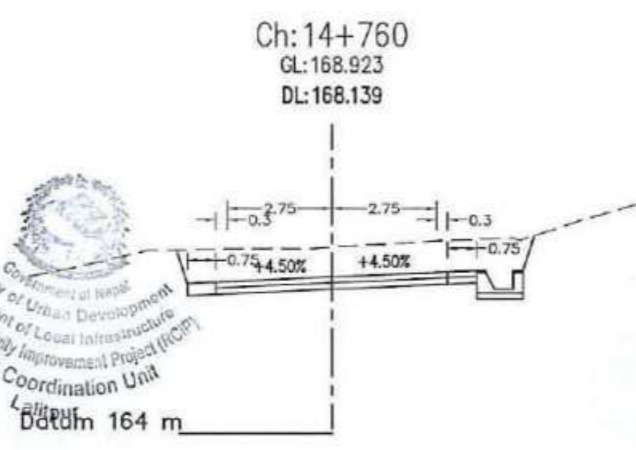
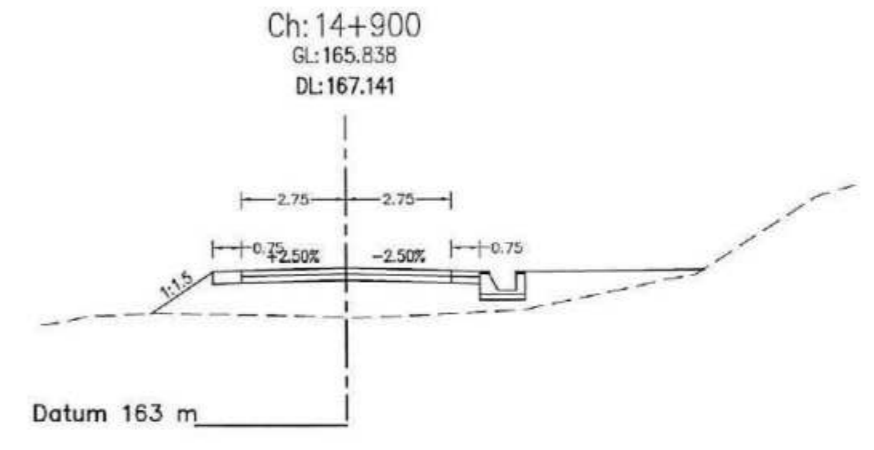
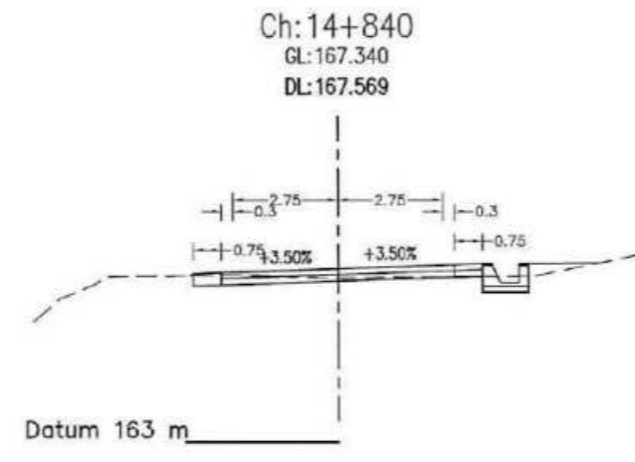
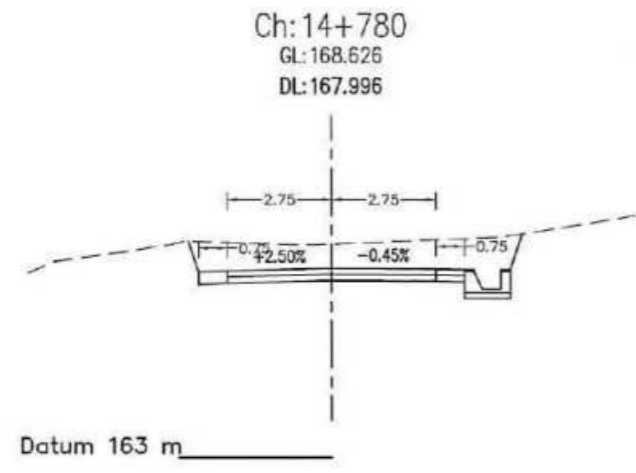
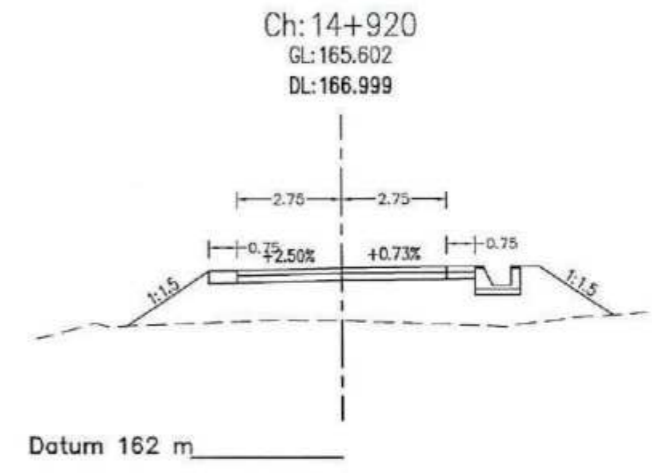
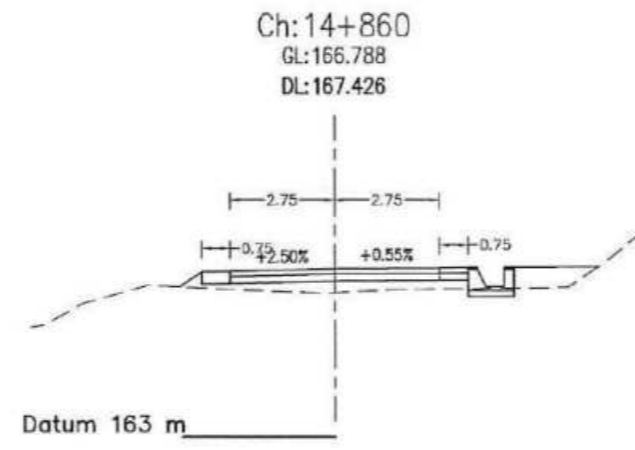
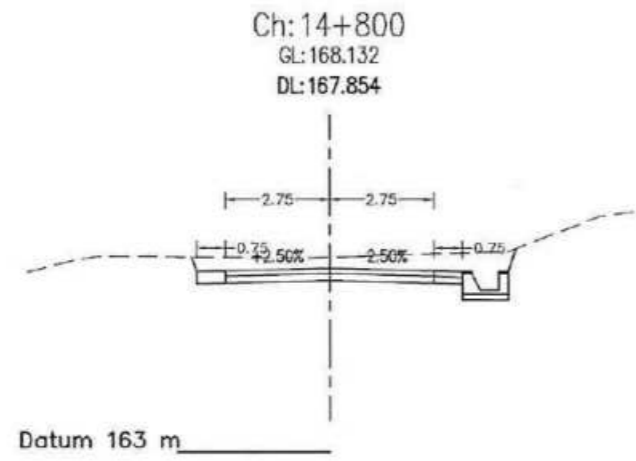
<p>Government of Nepal Ministry of Federal Affairs and General Administration Department of Local Infrastructure (DoLI) Rural Connectivity Improvement Project (RCIP) Project Coordination Unit (PCU) Pulchowk, Lalitpur</p>	<p>Consultant: Joint Venture of AVIYAAN - SOILTEST - CARD 254 Ekata Marg, New Baneshwor, Kathmandu-34, Nepal Phone: 977-1-4404307 Email: info@aviyaan.com</p>	<p>Jagadi - Dhansari - Ganeshman Charnath Na. Pa. (Province No - 2 Connecting) Road, Sindhuli</p>	DATE	REVISION	SIGNATURE	DESIGNED BY :	<p>SCALE 070 2m 1:200 4m</p>	<p>Cross-Section 14+400-14+560</p>	DATE:
						DRAWN BY :			DRG NO : CS
					CHECKED BY :	APPROVED BY :		SHEET NO : 81	



Government of Nepal
Ministry of Urban Development
Department of Local Infrastructure
Rural Connectivity Improvement Project (RCIP)
Project Coordination Unit
Lalitpur



 Government of Nepal Ministry of Federal Affairs and General Administration Department of Local Infrastructure (DoLI) Rural Connectivity Improvement Project (RCIP) Project Coordination Unit (PCU) Pulchowk, Lalitpur	Consultant: Joint Venture of AVIYAAN - SOILTEST - CARD 254 Ekala Marg, New Baneshwor, Kathmandu-34, Nepal Phone: 977-1-4104307 Email: info@aviyaan.com	Jagadi - Dhansari - Ganeshman Chamath Na. Pa. (Province No - 2 Connecting) Road, Sindhuli	DATE	REVISION	SIGNATURE	DESIGNED BY : 	SCALE 1:200 	Cross-Section	DATE:
						DRAWN BY : 		14+580-14+740	DRG NO : CS
					CHECKED BY : 			SHEET NO :	82
					APPROVED BY :				



Government of Nepal
Ministry of Urban Development
Department of Local Infrastructure
Rural Connectivity Improvement Project (RCIP)
Project Coordination Unit
Lalitpur

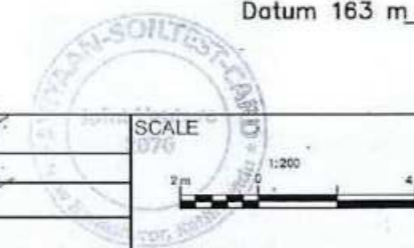
Government of Nepal
Ministry of Federal Affairs and General Administration
Department of Local Infrastructure (DoLI)
Rural Connectivity Improvement Project (RCIP)
Project Coordination Unit (PCU)
Pulchowk, Lalitpur

Consultant:
Joint Venture of
AVIYAAN - SOILTEST - CARD
254 Ekata Marg, New Baneshwar,
Kathmandu-34, Nepal
Phone: 977-1-4104367
Email: info@aviyaan.com

Jagadi - Dhansari -
Ganeshman Charnath Na. Pa.
(Province No - 2 Connecting)
Road, Sindhuli

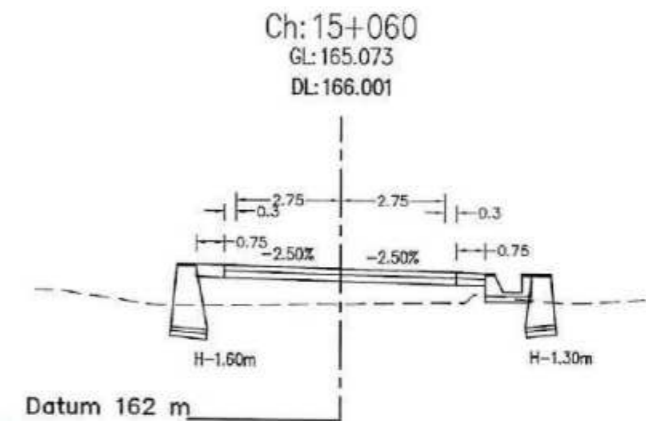
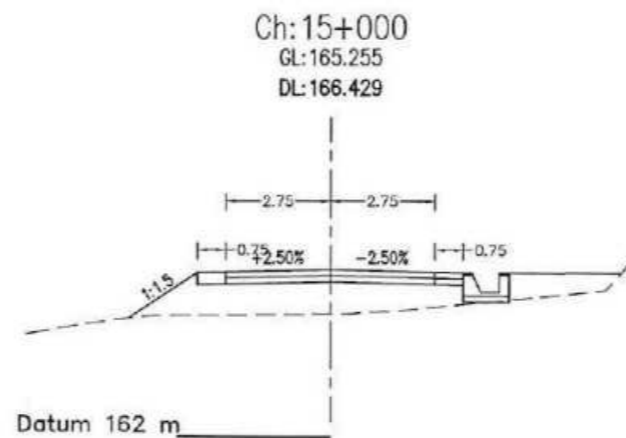
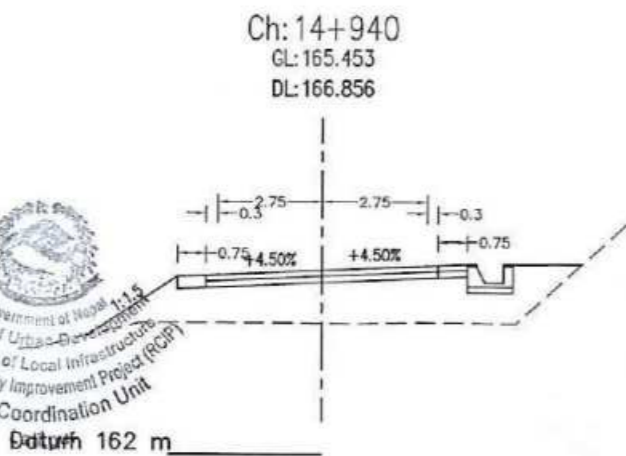
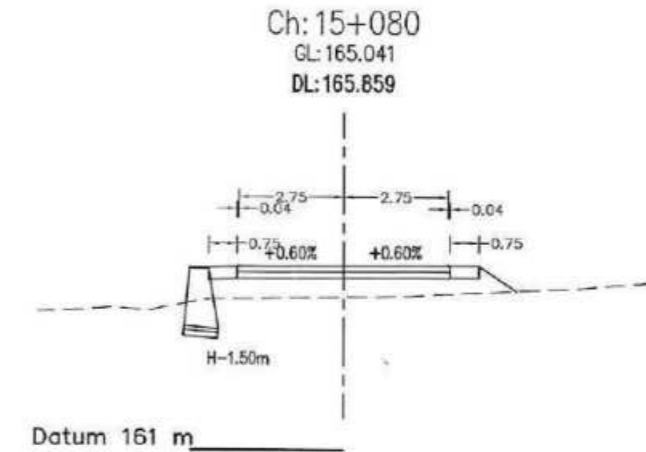
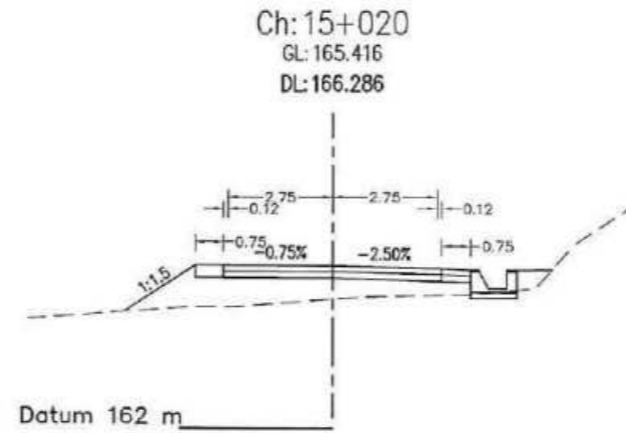
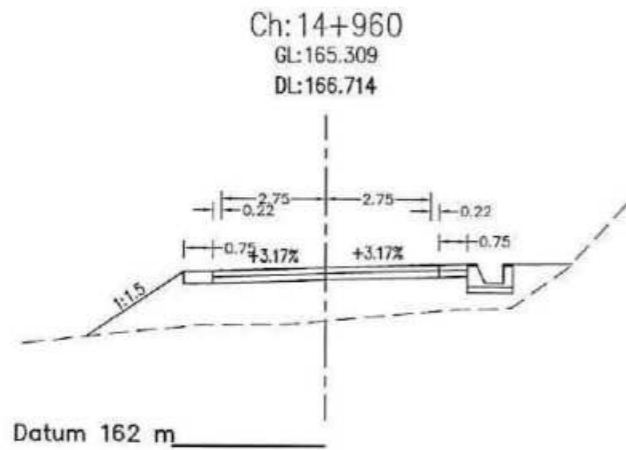
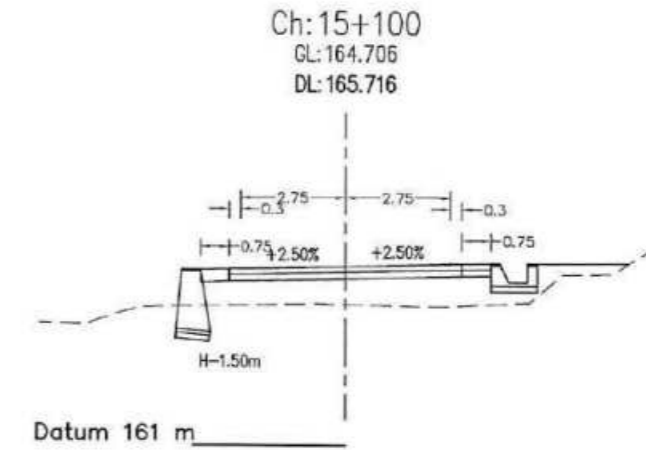
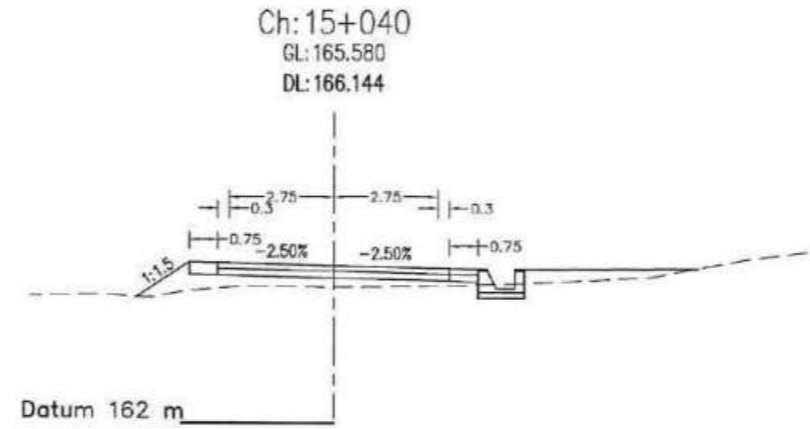
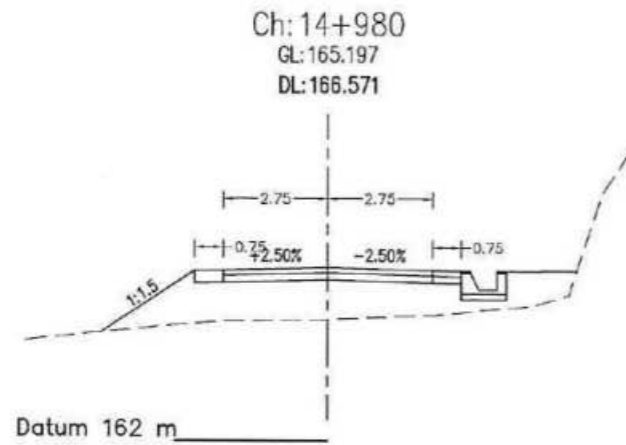
DATE	REVISION	SIGNATURE

DESIGNED BY :
DRAWN BY :
CHECKED BY :
APPROVED BY :



Cross-Section
14+760-14+920

DATE:
DRG NO : CS
SHEET NO : 83



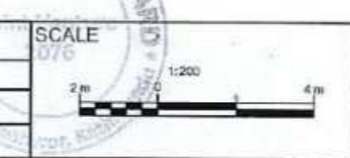
Government of Nepal
Ministry of Urban Development
Department of Local Infrastructure
Rural Connectivity Improvement Project (RCIP)
Project Coordination Unit

Government of Nepal
Ministry of Federal Affairs and General Administration
Department of Local Infrastructure (DoLI)
Rural Connectivity Improvement Project (RCIP)
Project Coordination Unit (PCU)
Pulchowk, Lalitpur

Consultant:
Joint Venture of
AVIYAAN - SOILTEST - CARD
254 Ekata Marg, New Baneshwor,
Kathmandu-34, Nepal
Phone: 977-1-4104307
Email: info@aviyaan.com

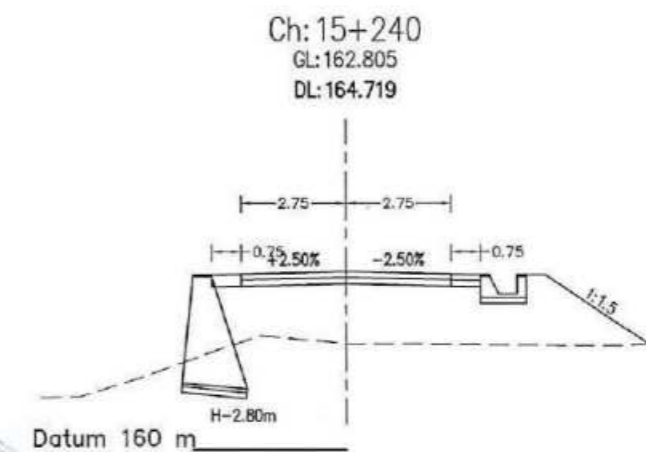
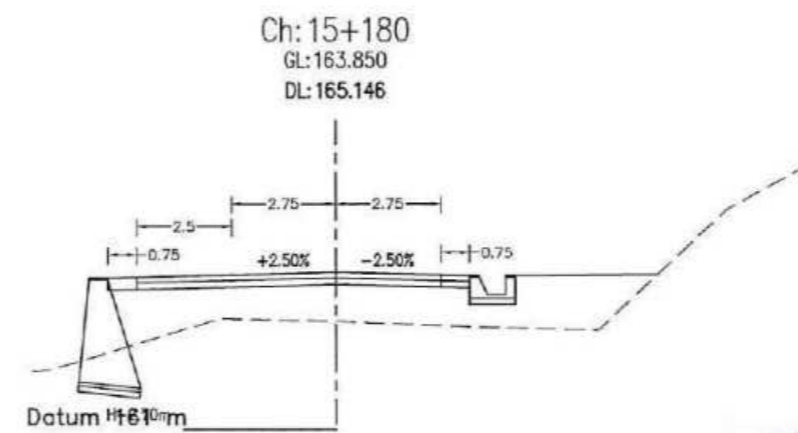
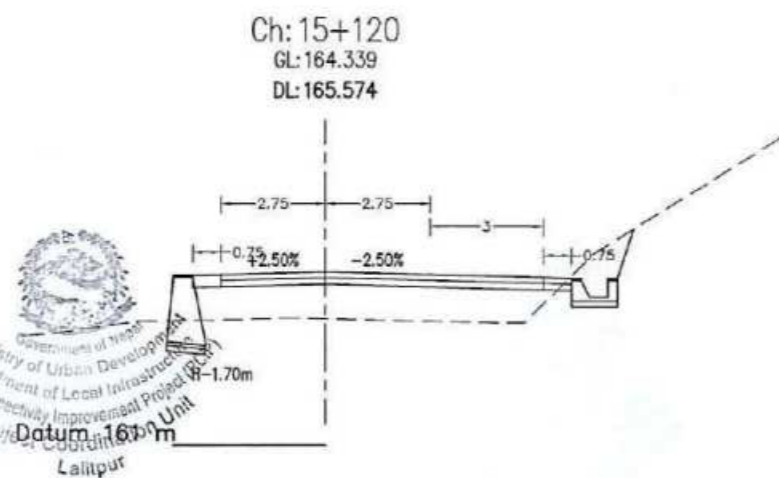
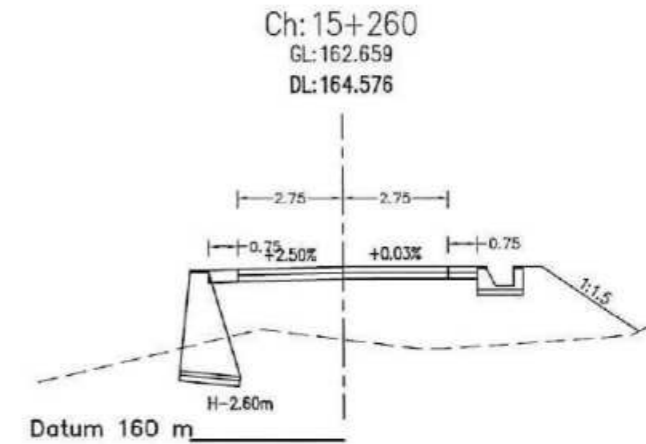
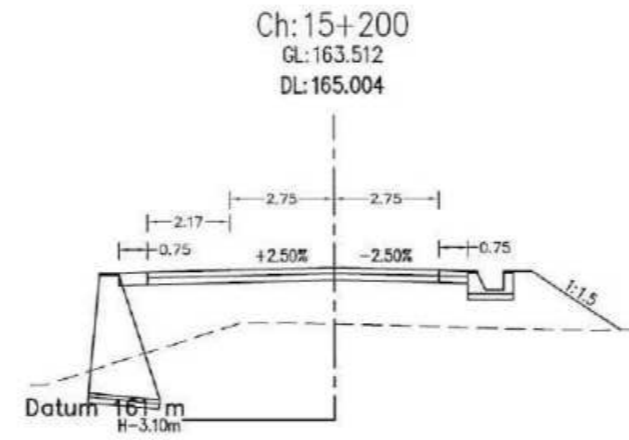
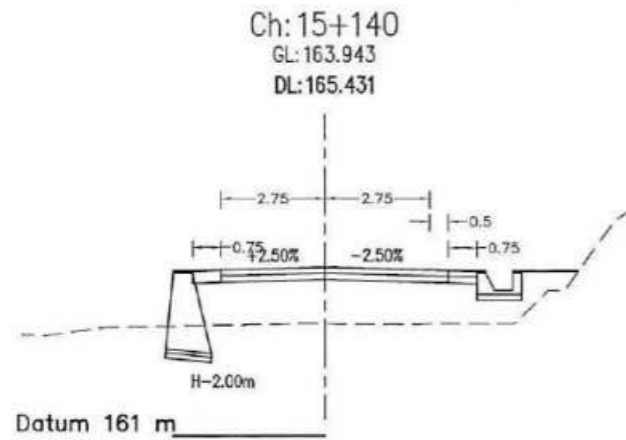
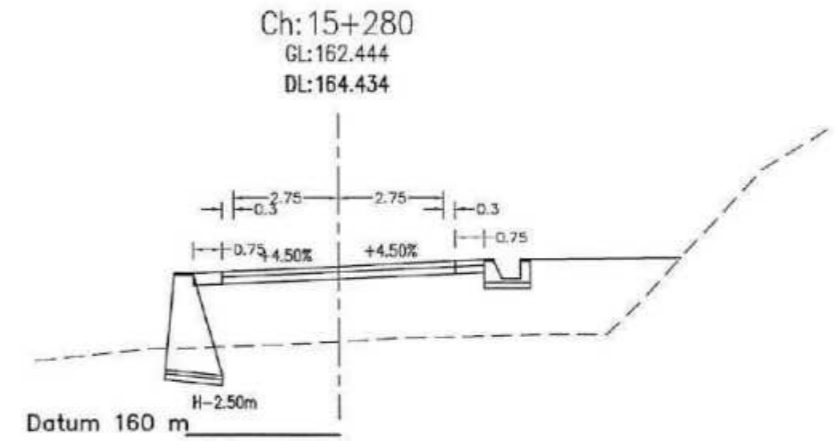
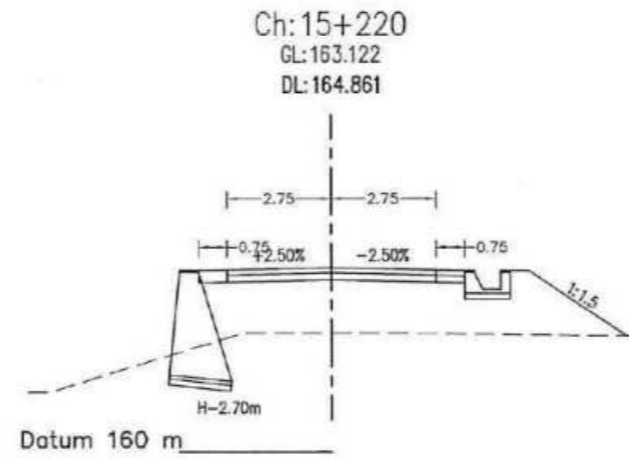
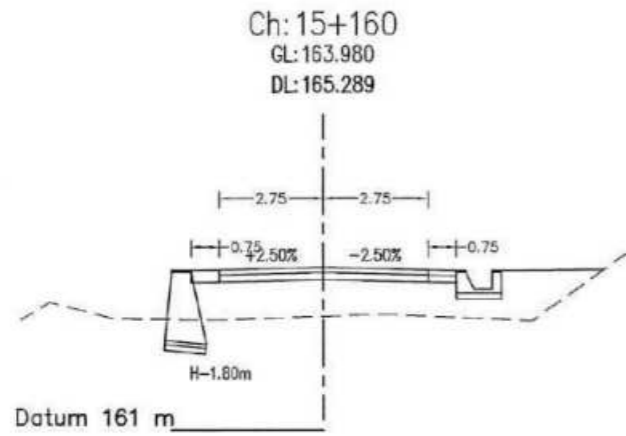
Jagadi - Dhansari -
Ganeshman Charnath Na. Pa.
(Province No - 2 Connecting)
Road, Sindhuli

DATE	REVISION	SIGNATURE	DESIGNED BY :	DRAWN BY :	CHECKED BY :	APPROVED BY :



Cross-Section
14+940-15+100

DATE:
DRG NO : CS
SHEET NO : 84



Government of Nepal
Ministry of Urban Development
Department of Local Infrastructure
Rural Connectivity Improvement Project (RCIP)
Project Coordination Unit (PCU)
Lalitpur

Government of Nepal
Ministry of Federal Affairs and General Administration
Department of Local Infrastructure (DoLI)
Rural Connectivity Improvement Project (RCIP)
Project Coordination Unit (PCU)
Pulchowk, Lalitpur

Consultant:
Joint Venture of
AVIYAAN - SOILTEST - CARD
254 Ekata Marg, New Baneshwor,
Kathmandu-34, Nepal
Phone: 977-1-4104307
Email: info@aviyaan.com

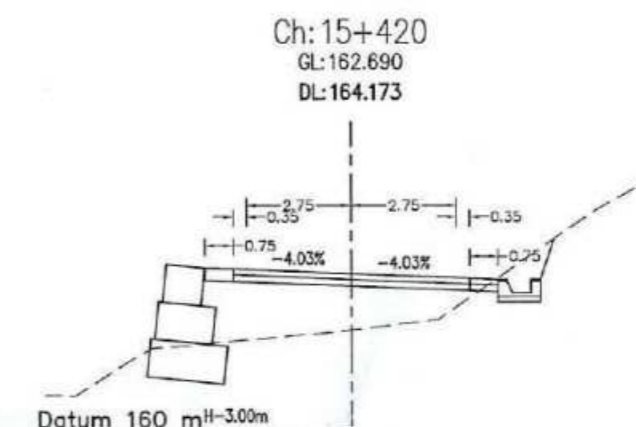
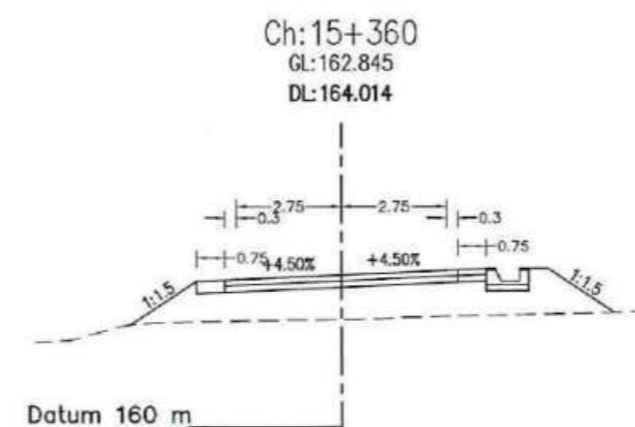
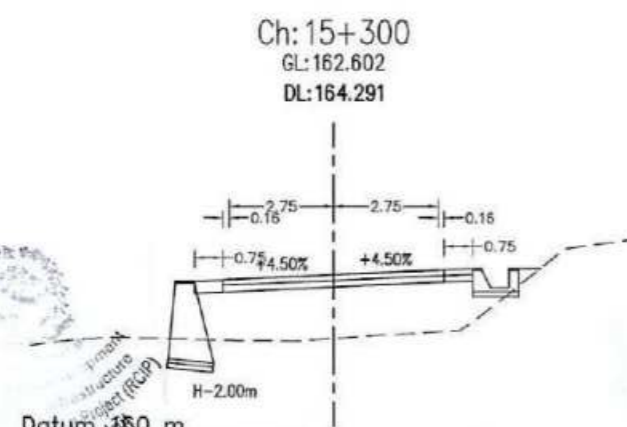
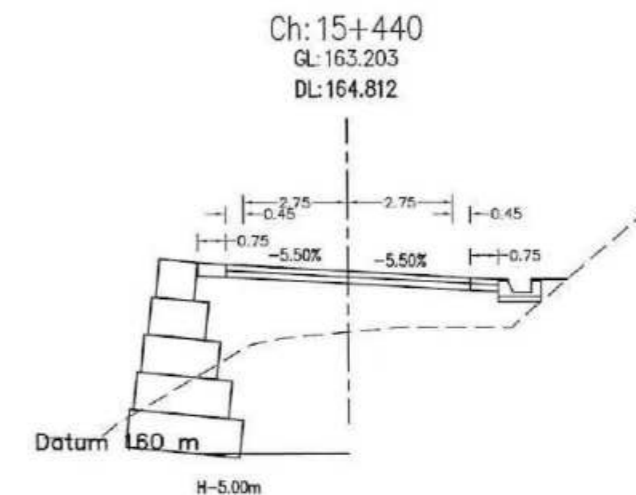
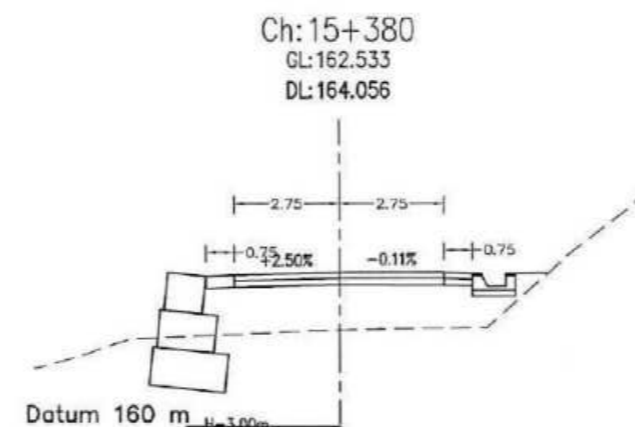
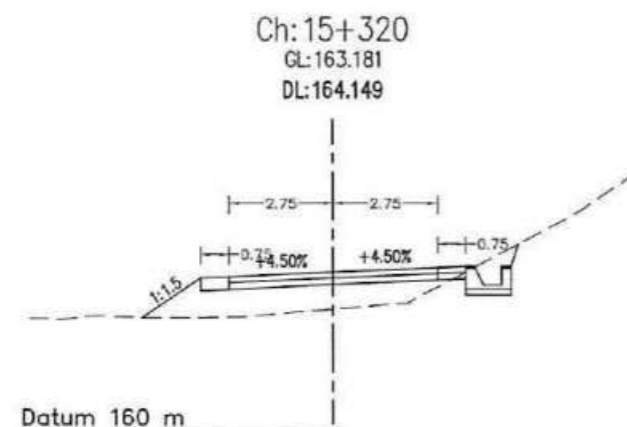
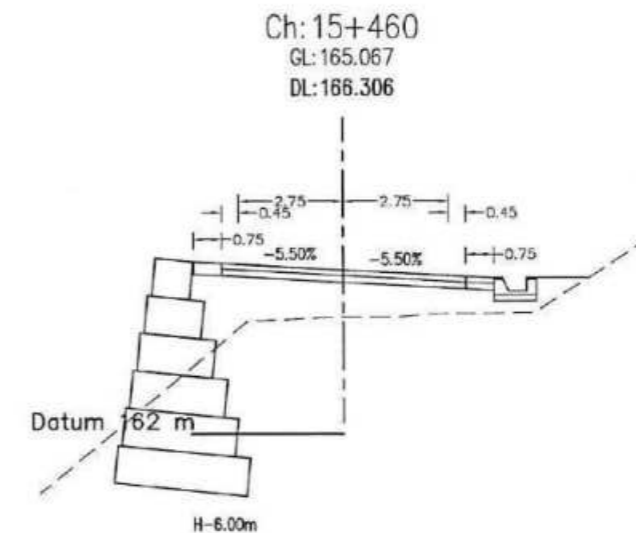
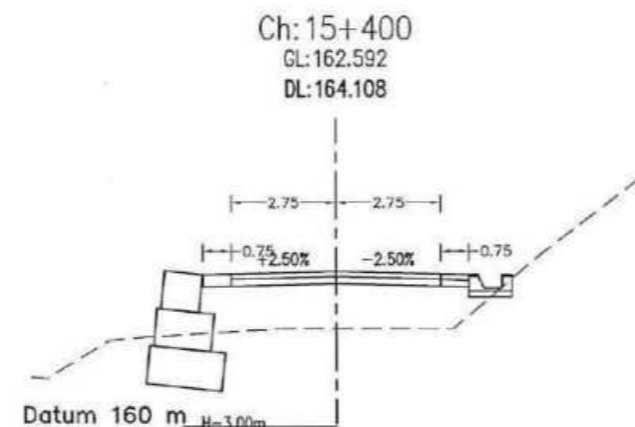
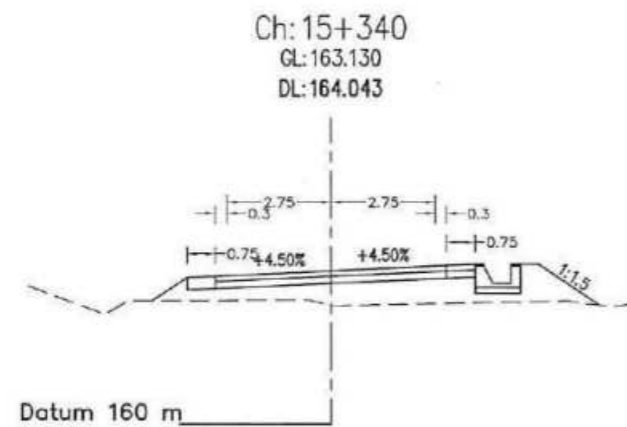
Jagadi - Dhansari -
Ganeshman Chamath Na. Pa.
(Province No - 2 Connecting)
Road, Sindhuli

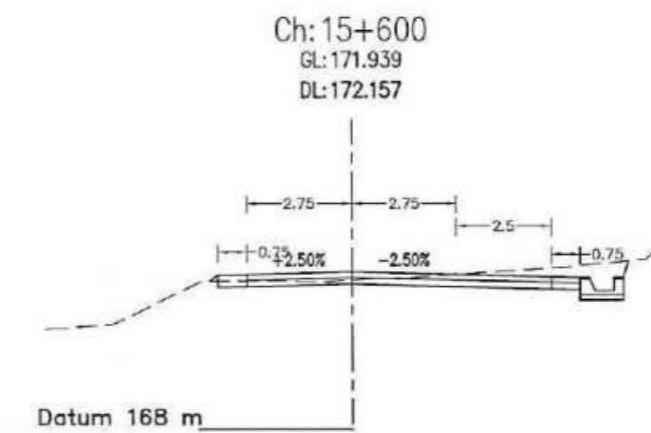
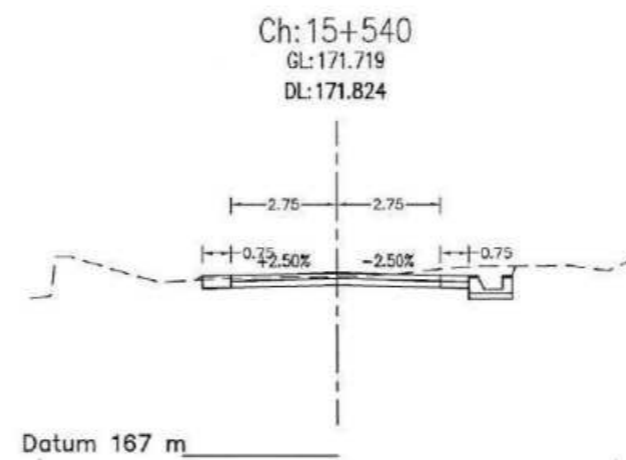
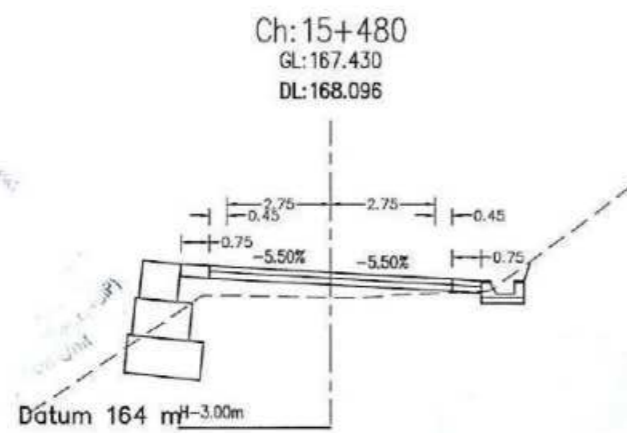
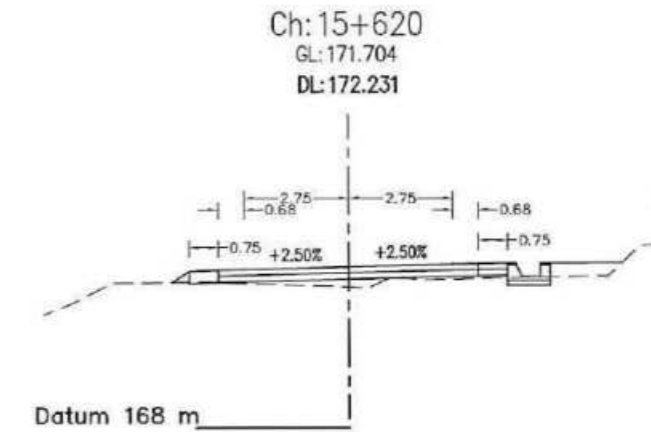
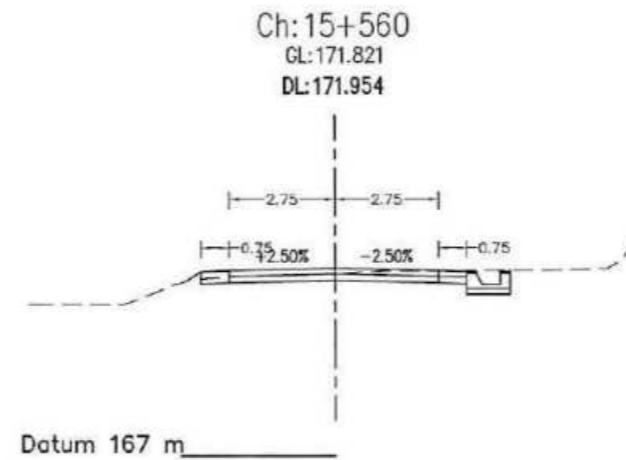
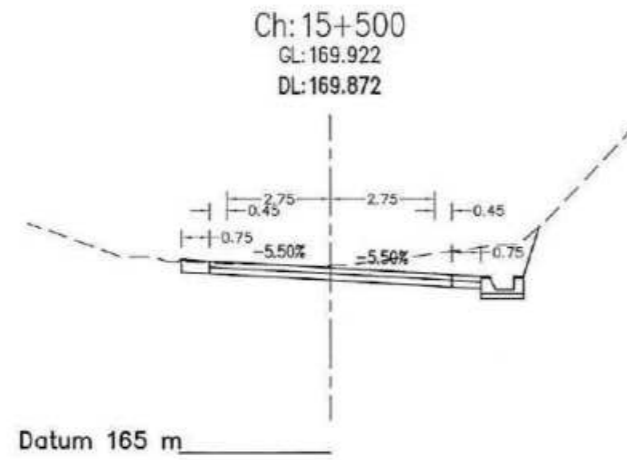
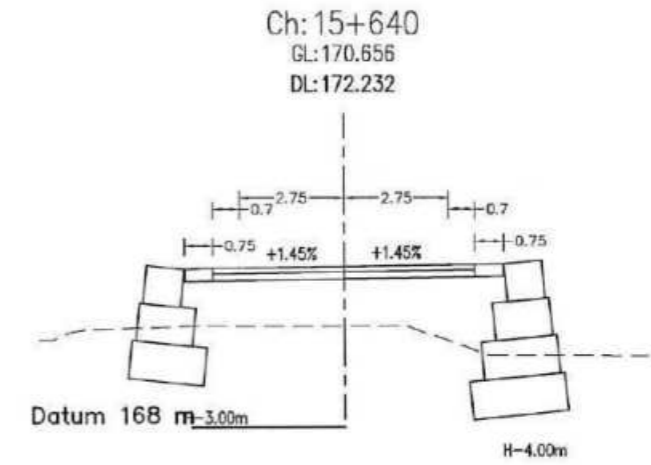
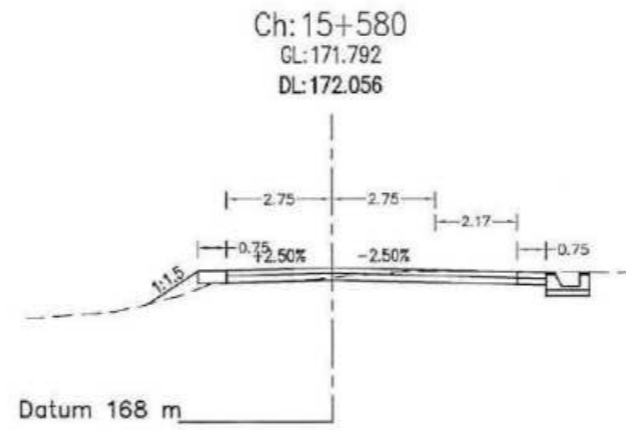
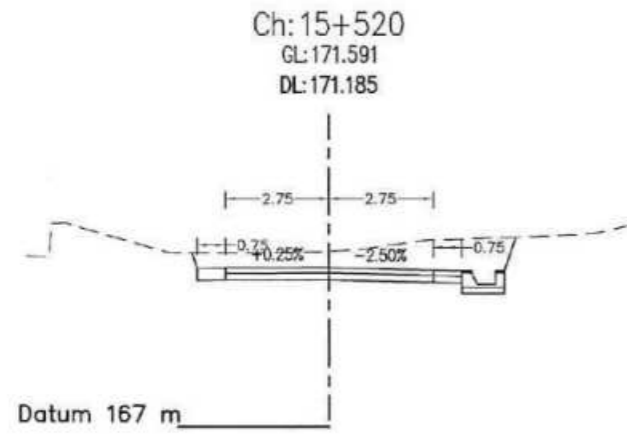
DATE	REVISION	SIGNATURE	DESIGNED BY :

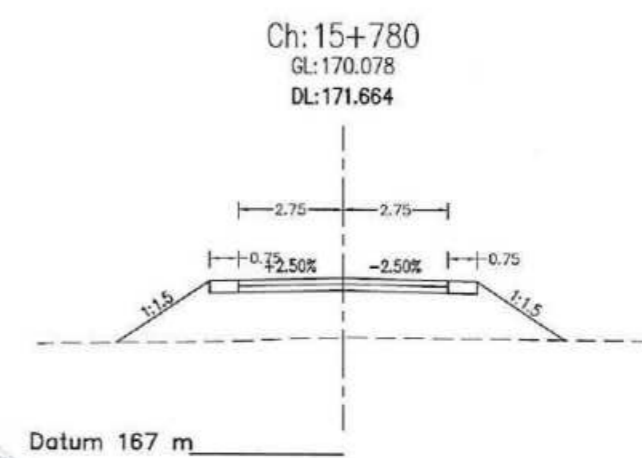
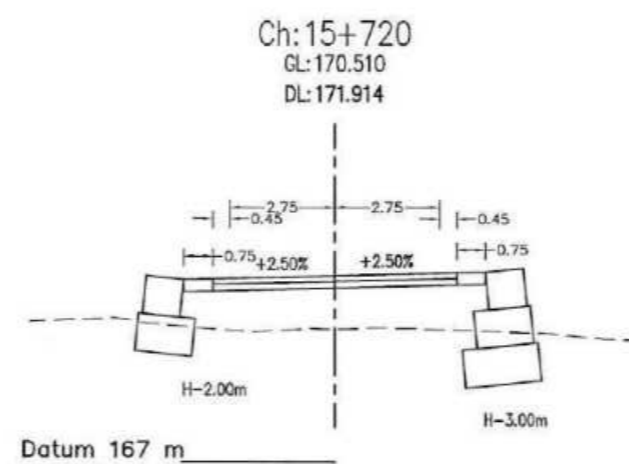
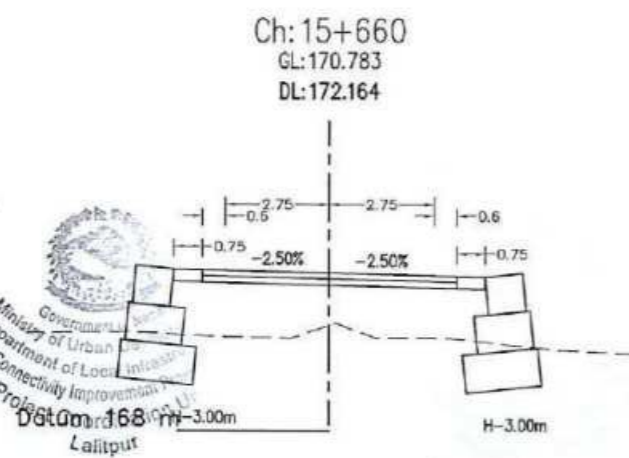
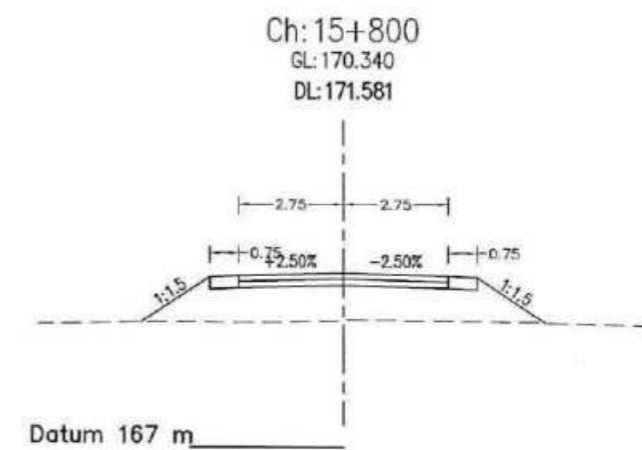
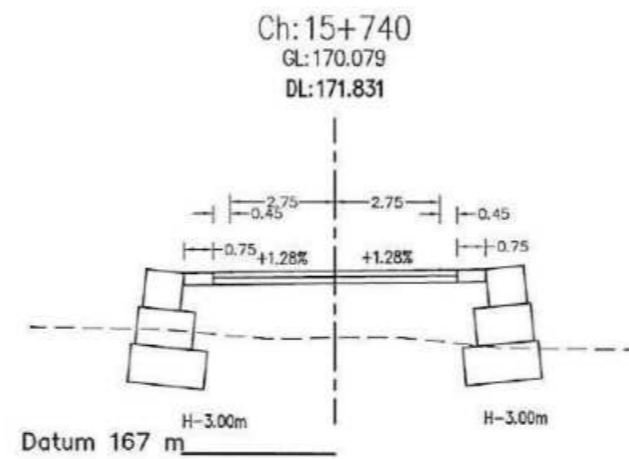
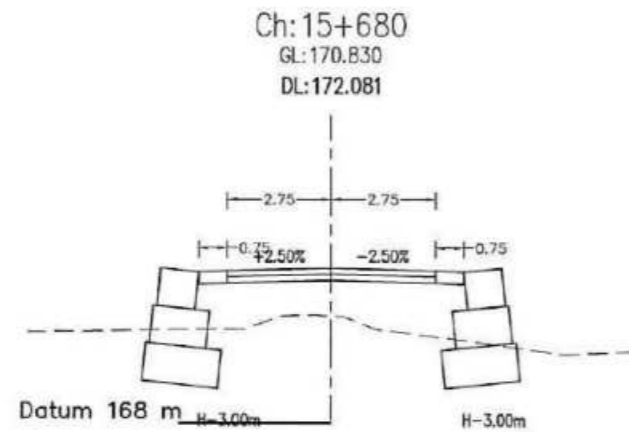
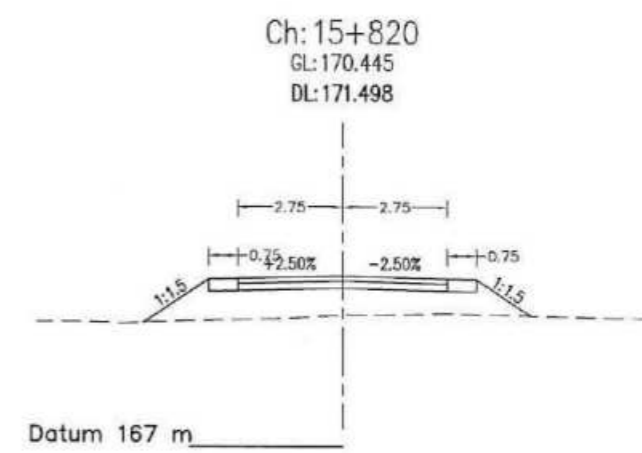
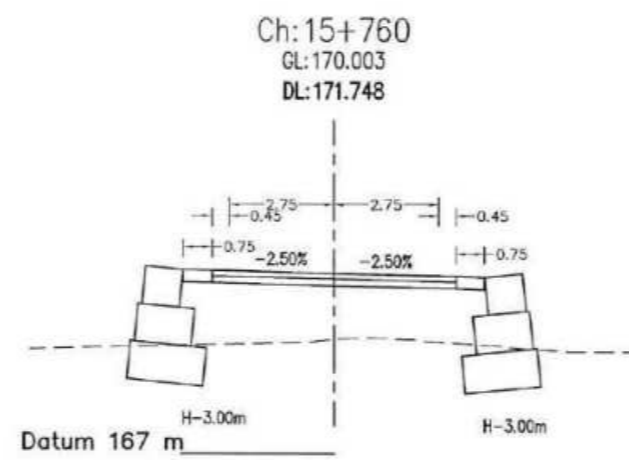
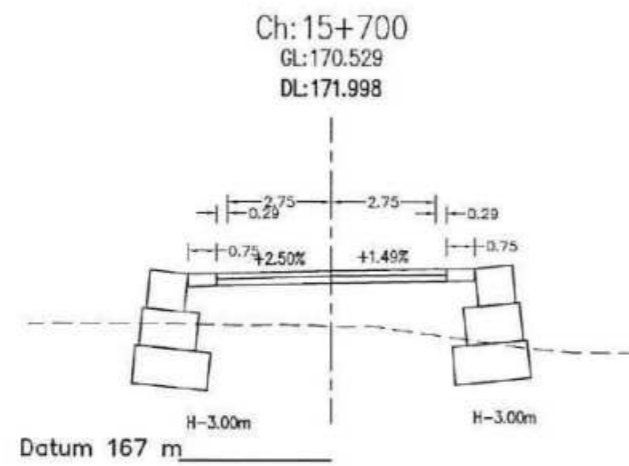
SCALE
0/75
1:200
2m 4m

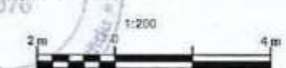
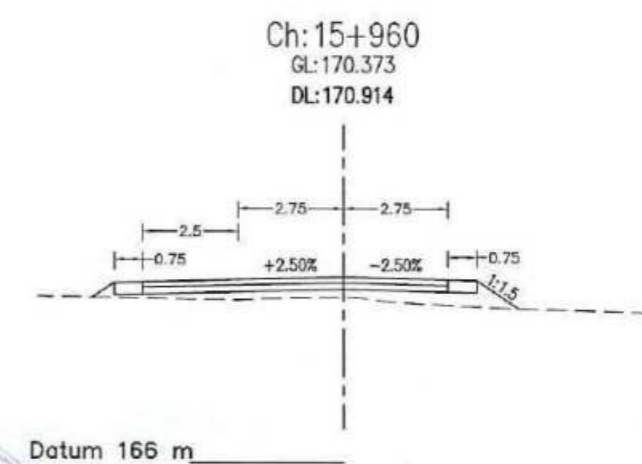
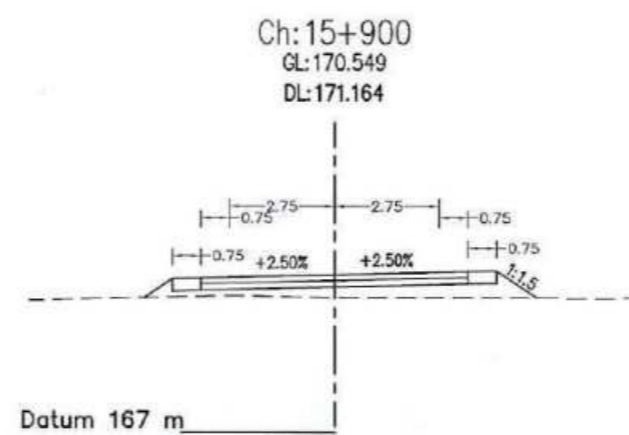
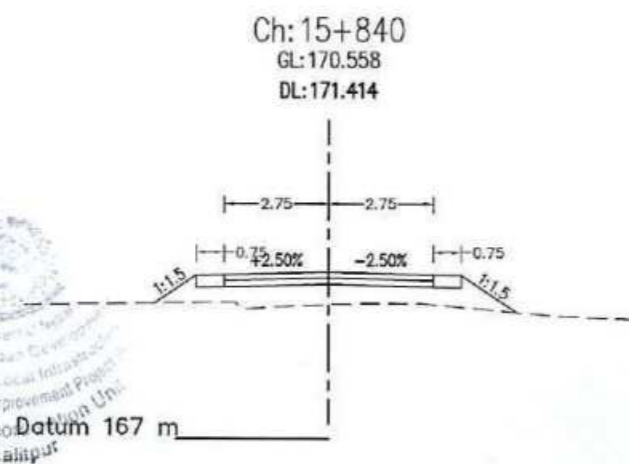
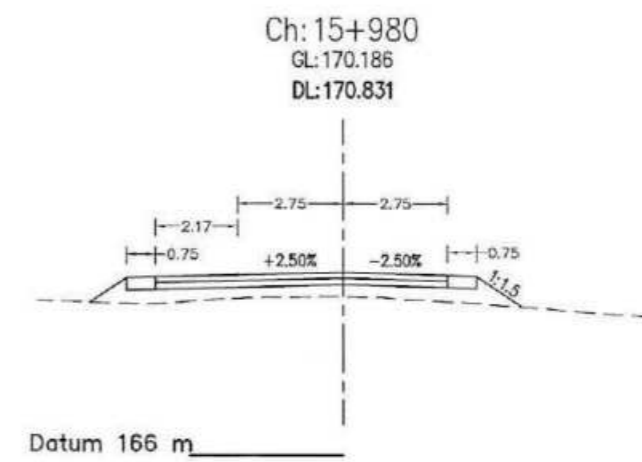
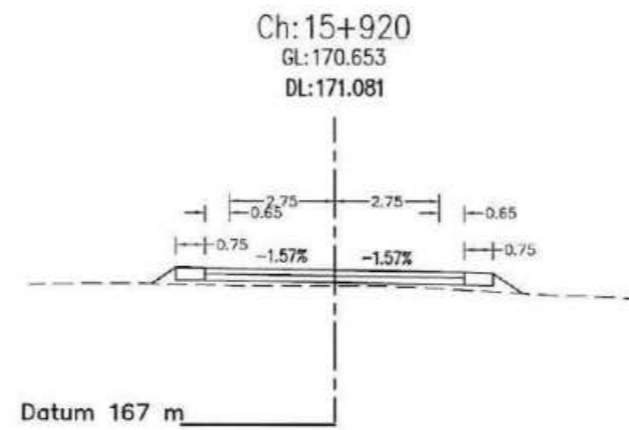
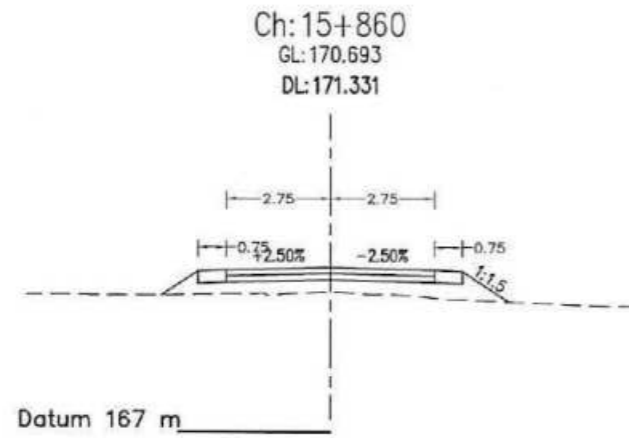
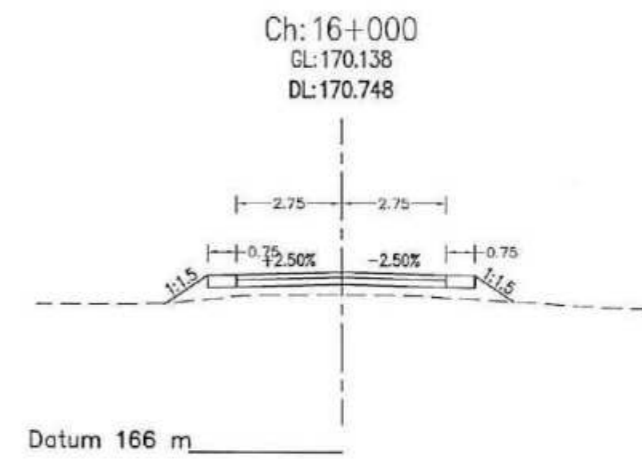
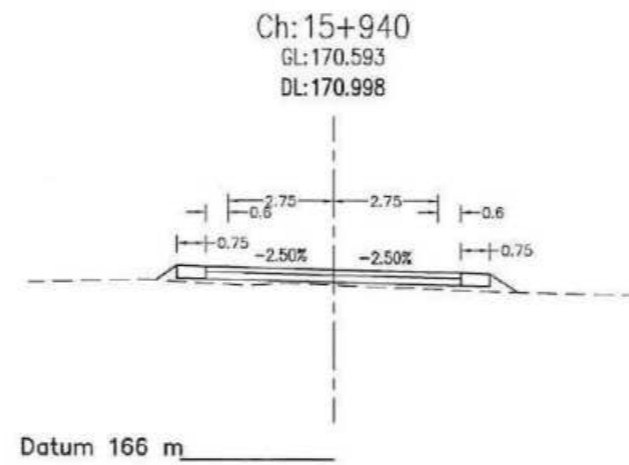
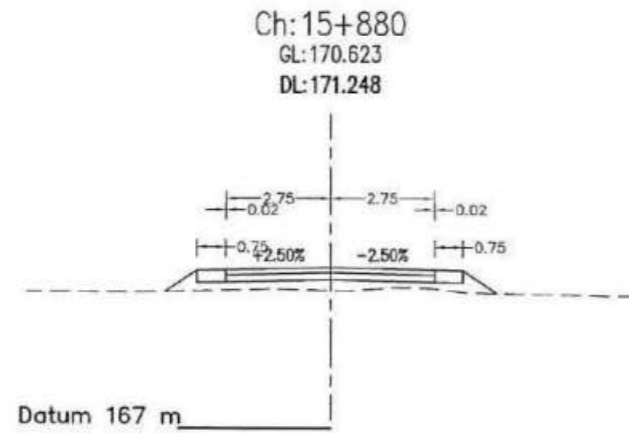
Cross-Section
15+120-15+280

DATE:
DRG NO : CS
SHEET NO : 85

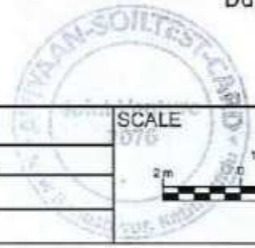
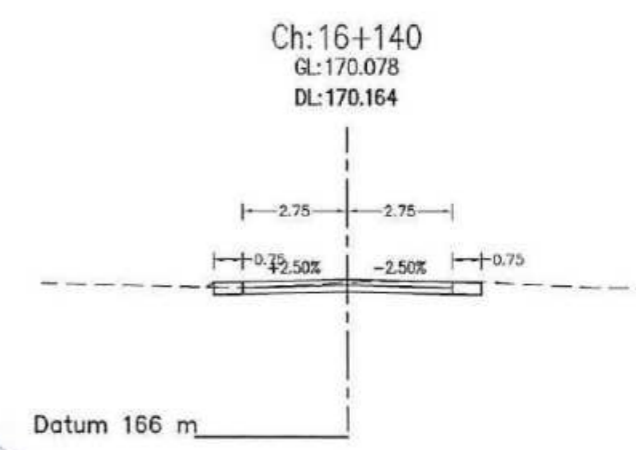
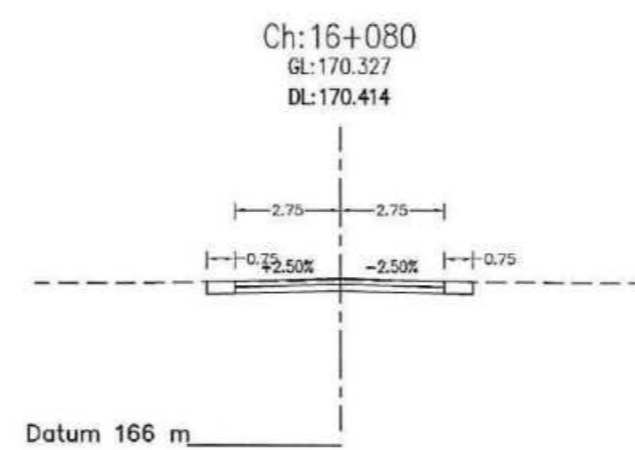
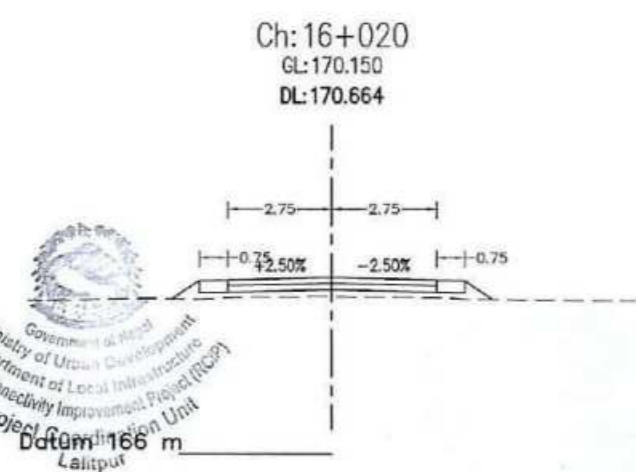
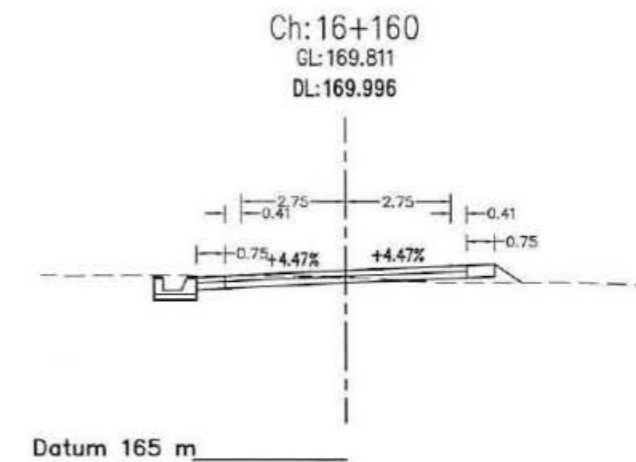
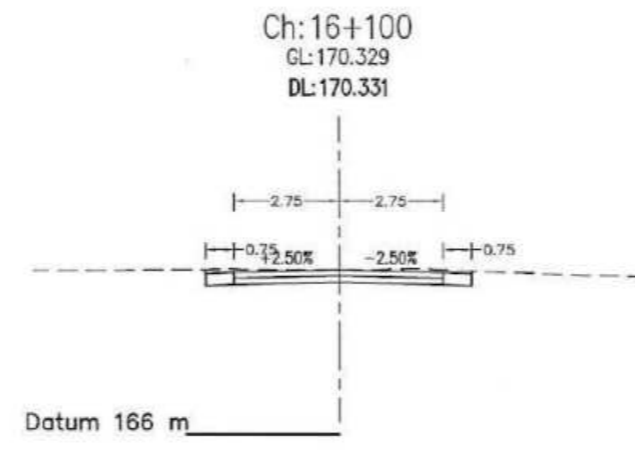
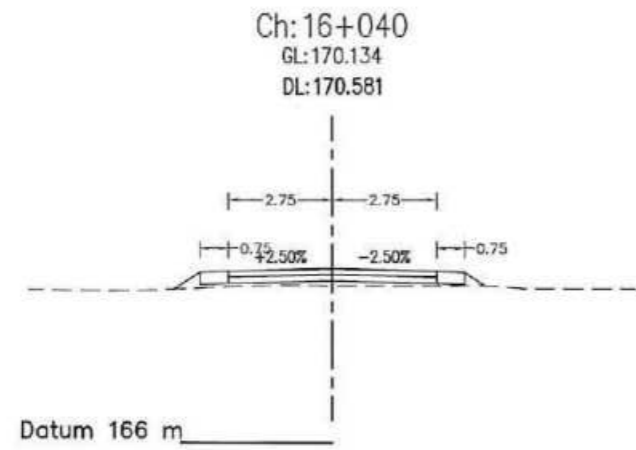
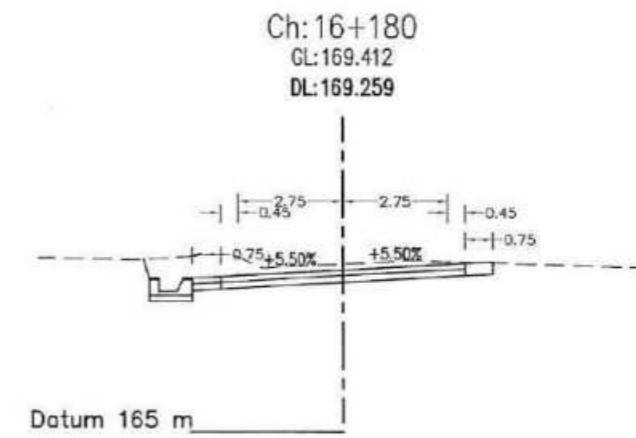
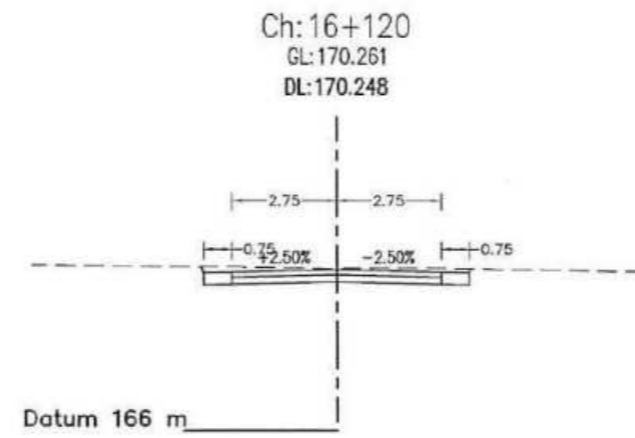
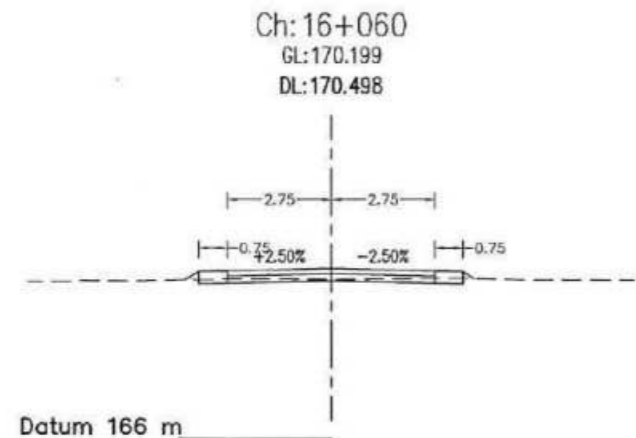




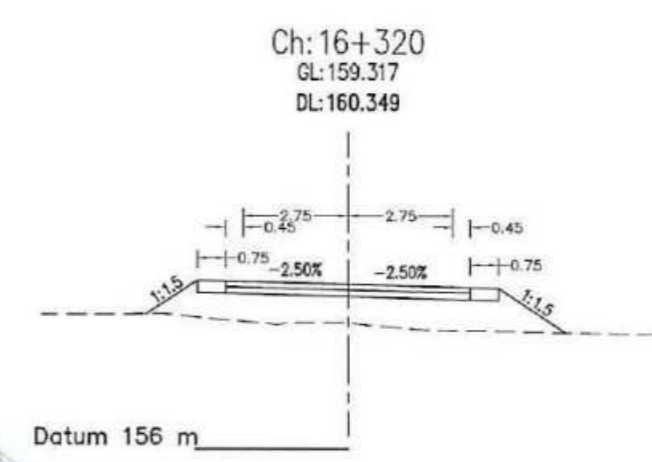
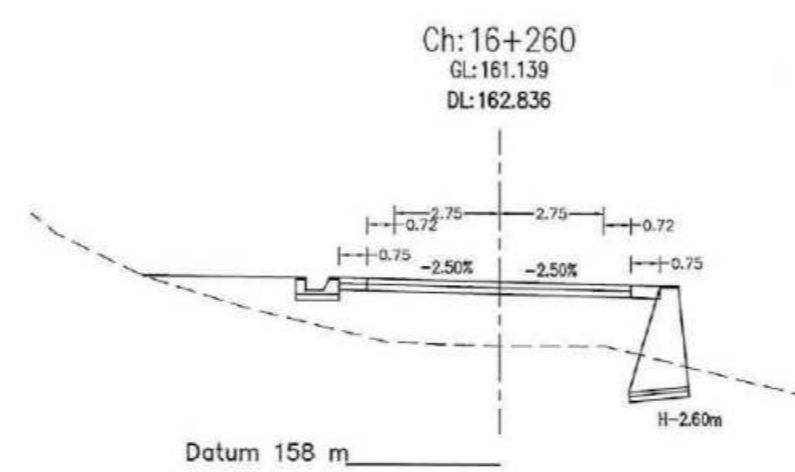
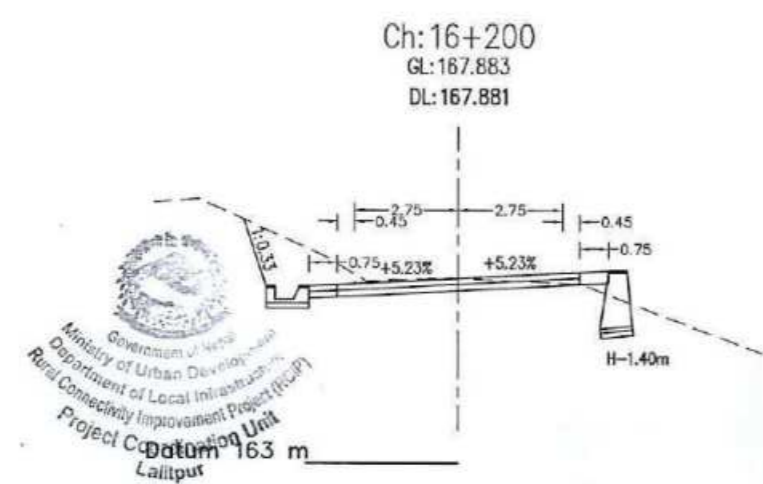
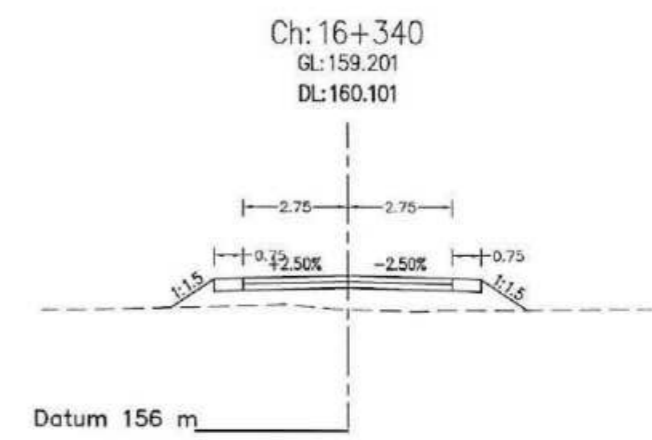
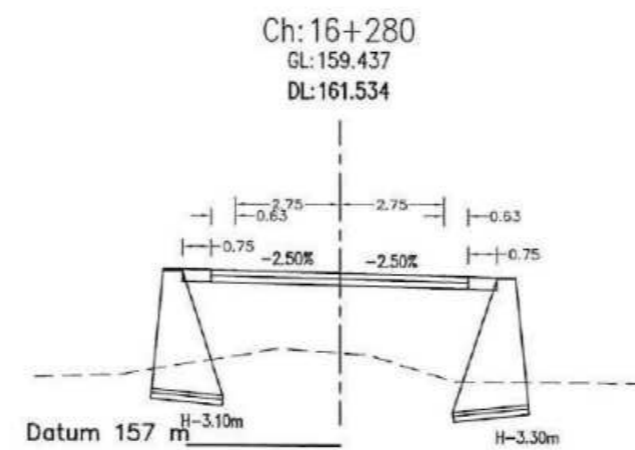
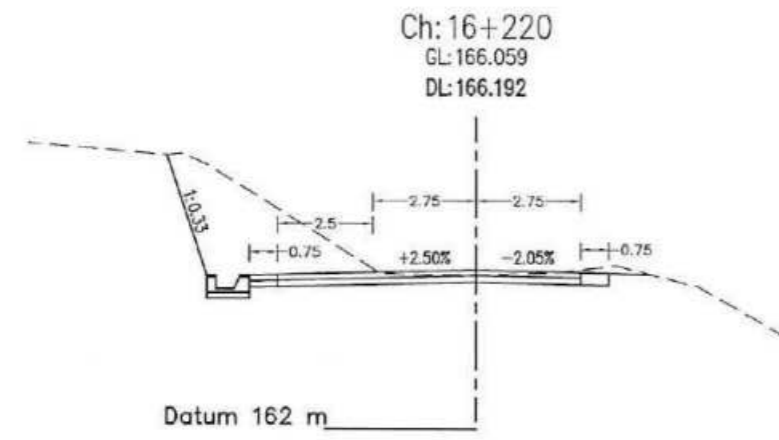
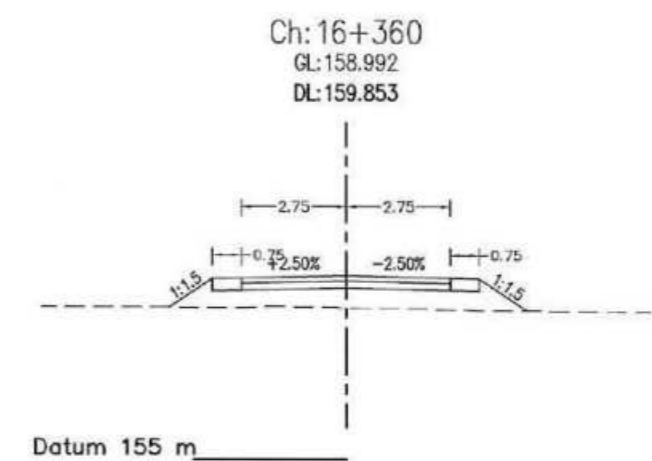
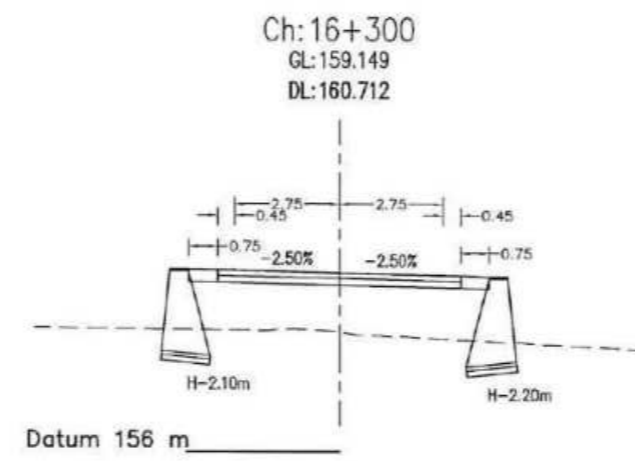
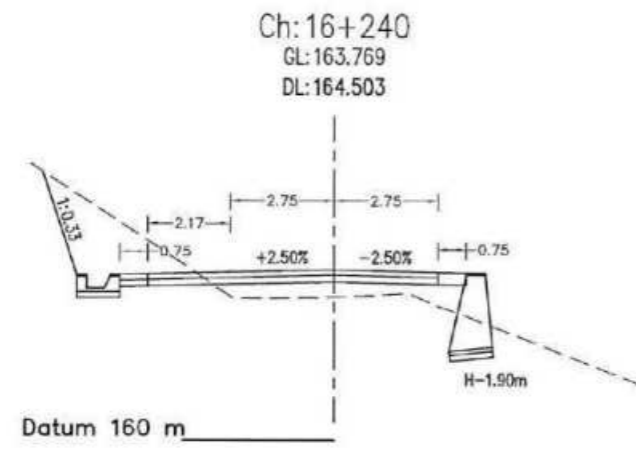


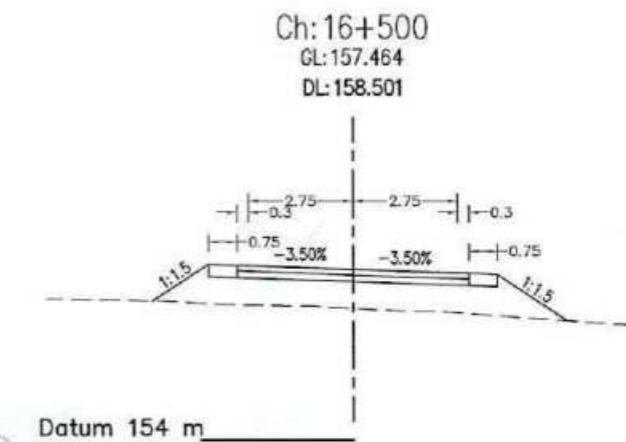
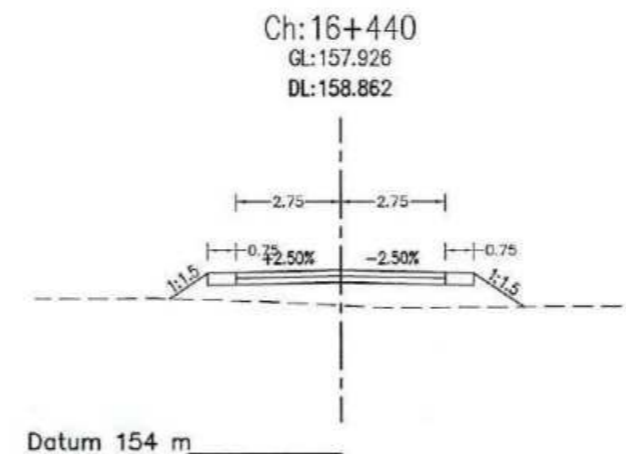
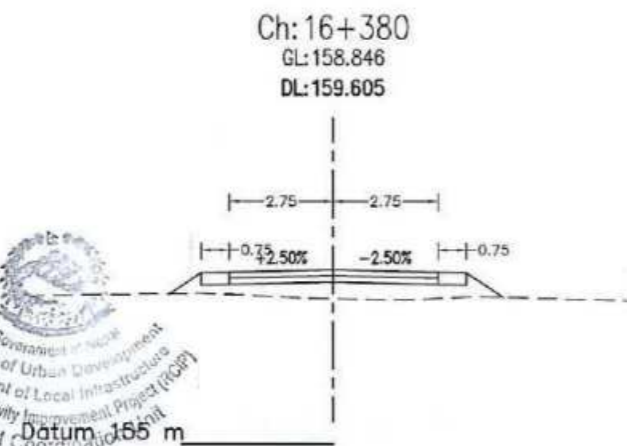
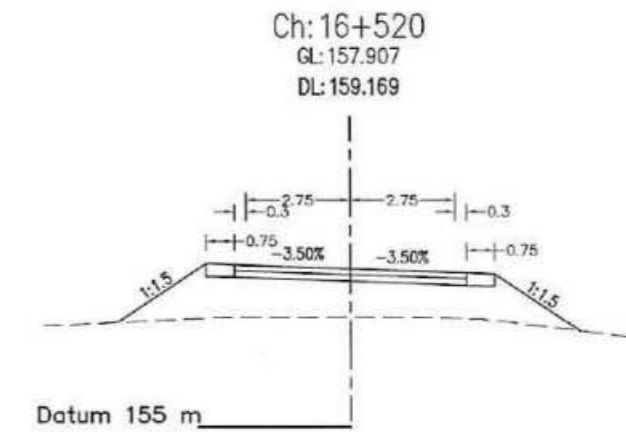
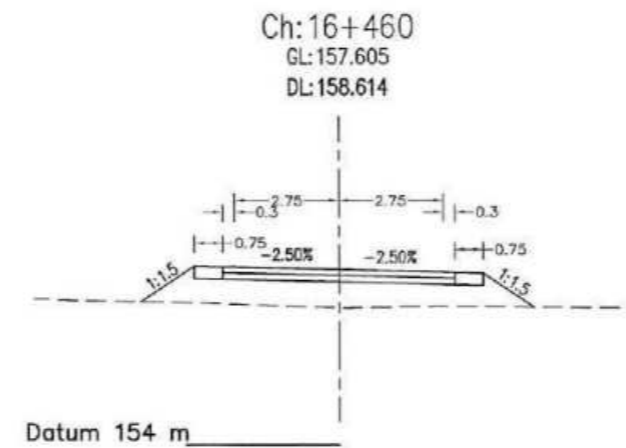
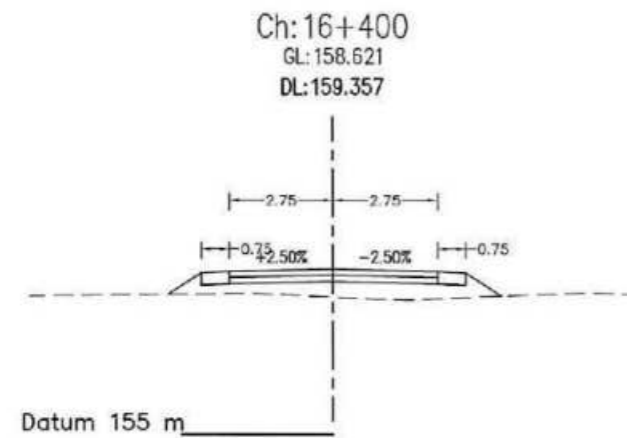
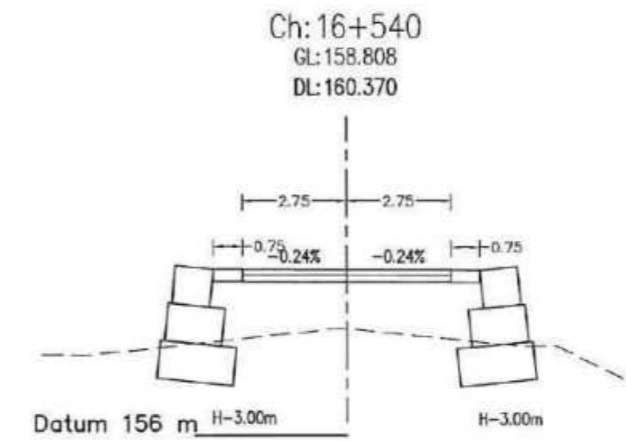
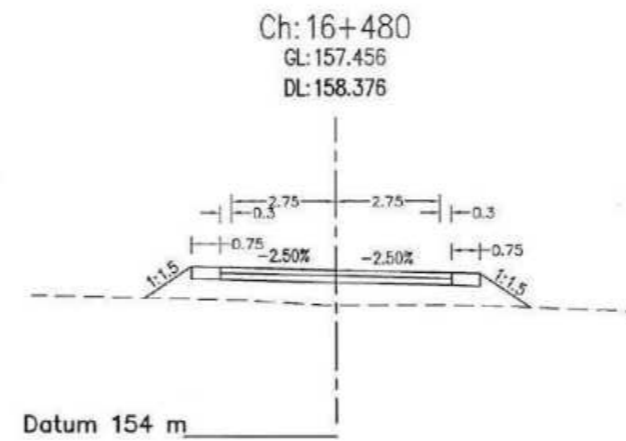
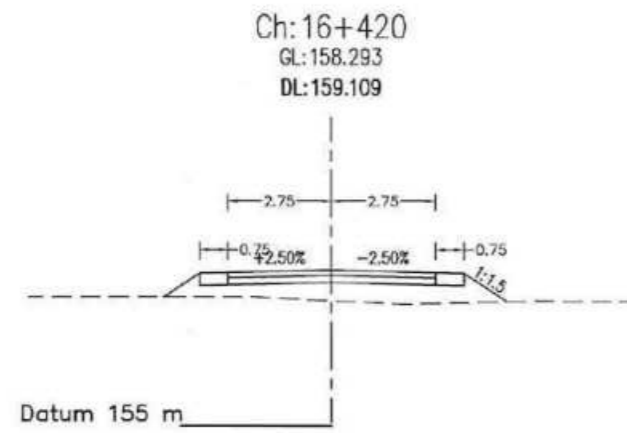


<p>Government of Nepal Ministry of Federal Affairs and General Administration Department of Local Infrastructure (DoLI) Rural Connectivity Improvement Project (RCIP) Project Coordination Unit (PCU) Pulchowk, Lalitpur</p>	<p>Consultant: Joint Venture of AVIYAAN - SOILTEST - CARD 254 Ekata Marg, New Baneshwor, Kathmandu-34, Nepal Phone: 977-1-4104307 Email: info@aviyaan.com</p>	<p>Jagadi - Dhansari - Ganeshman Charnath Na. Pa. (Province No - 2 Connecting) Road, Sindhuli</p>	DATE	REVISION	SIGNATURE	DESIGNED BY :	<p>SCALE 1:200</p>	<p>Cross-Section 15+840-16+000</p>	DATE:
						DRAWN BY :			DRG NO : CS
					CHECKED BY :	APPROVED BY :		SHEET NO : 89	



<p>Government of Nepal Ministry of Federal Affairs and General Administration Department of Local Infrastructure (DoLI) Rural Connectivity Improvement Project (RCIP) Project Coordination Unit (PCU) Pulchowk, Lalitpur</p>	<p>Consultant: Joint Venture of AVIYAAN - SOILTEST - CARD 254 Ekata Marg, New Baneshwor, Kathmandu-34, Nepal Phone: 977-1-4104367 Email: info@aviyaan.com</p>	<p>Jagadi - Dhansari - Ganeshman Charnath Na. Pa. (Province No - 2 Connecting) Road, Sindhuli</p>	DATE	REVISION	SIGNATURE	DESIGNED BY :	<p>SCALE 0/6 1:200 2m 4m</p>	Cross-Section	DATE:
						DRAWN BY :		16+020-16+180	DRG NO : CS
					CHECKED BY :				SHEET NO : 90
					APPROVED BY :				





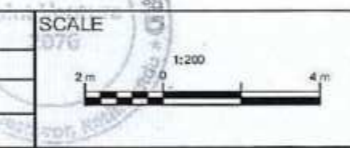
Government of Nepal
Ministry of Urban Development
Department of Local Infrastructure
Rural Connectivity Improvement Project (RCIP)
Project Coordination Unit
Lalitpur

Government of Nepal
Ministry of Federal Affairs and General Administration
Department of Local Infrastructure (DoLI)
Rural Connectivity Improvement Project (RCIP)
Project Coordination Unit (PCU)
Pulchowk, Lalitpur

Consultant:
Joint Venture of
AVIYAAN - SOILTEST - CARD
254 Ekata Marg, New Baneshwor,
Kathmandu-34, Nepal
Phone: 977-1-4104307
Email: info@aviyaan.com

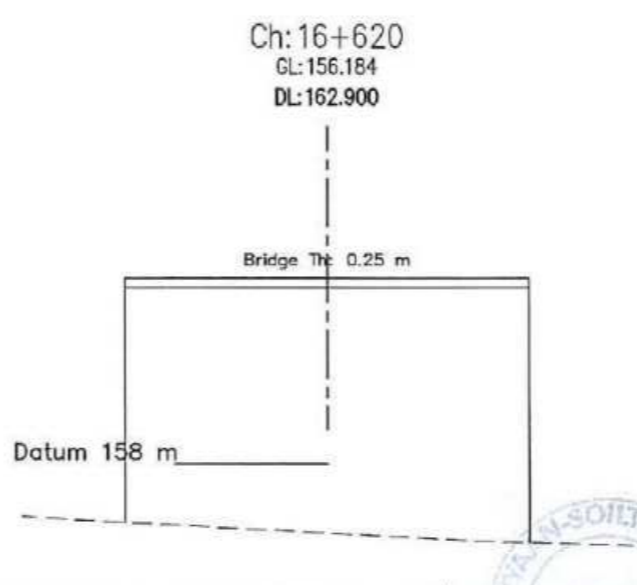
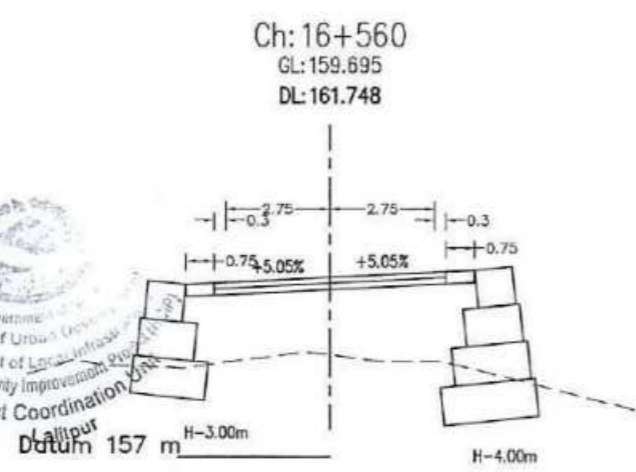
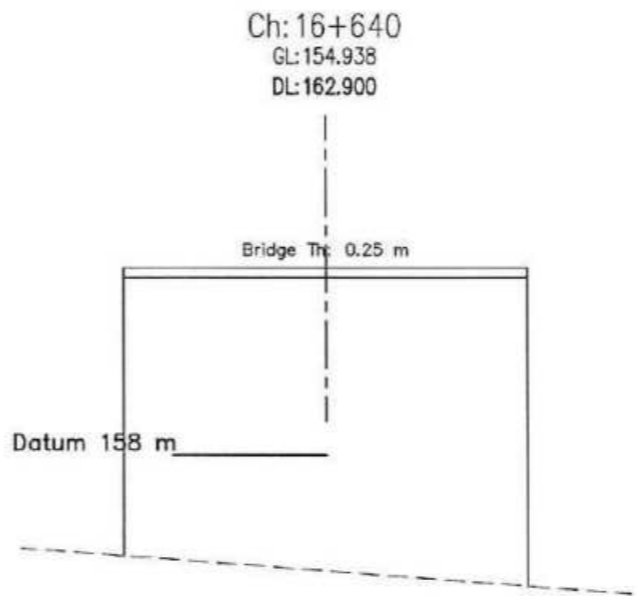
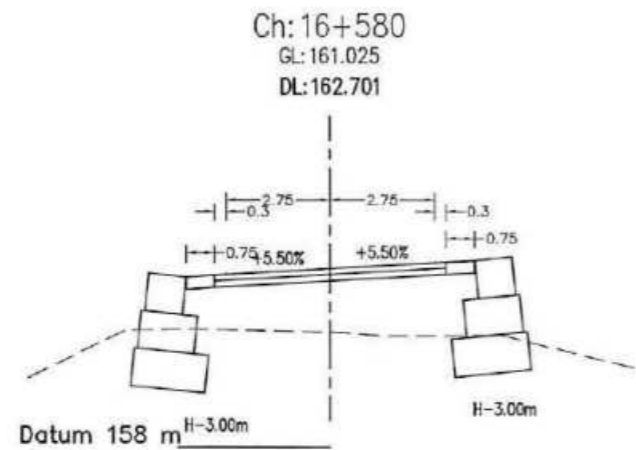
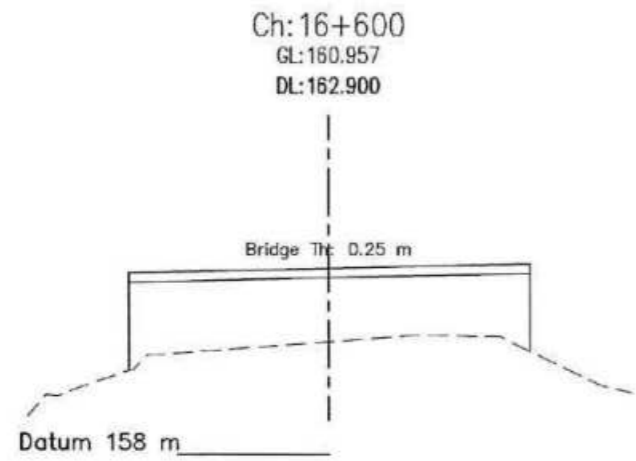
Jagadi - Dhansari -
Ganeshman Chamath Na. Pa.
(Province No - 2 Connecting)
Road, Sindhuli

DATE	REVISION	SIGNATURE	DESIGNED BY :	DRAWN BY :	CHECKED BY :	APPROVED BY :



Cross-Section
16+380-16+540

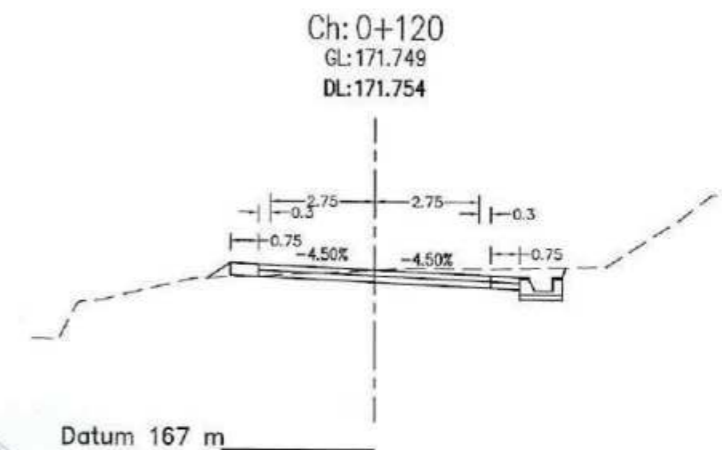
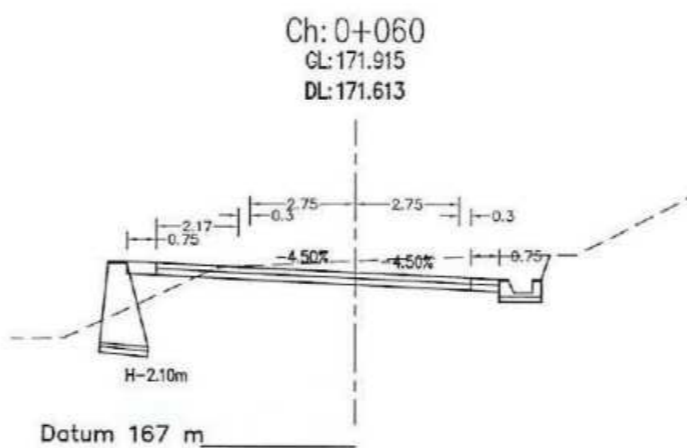
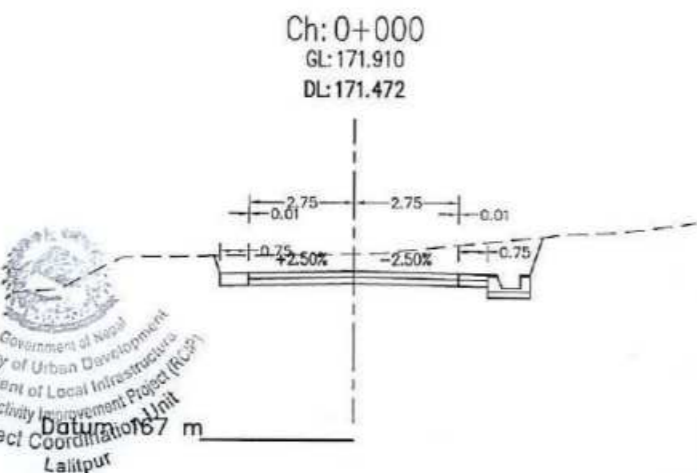
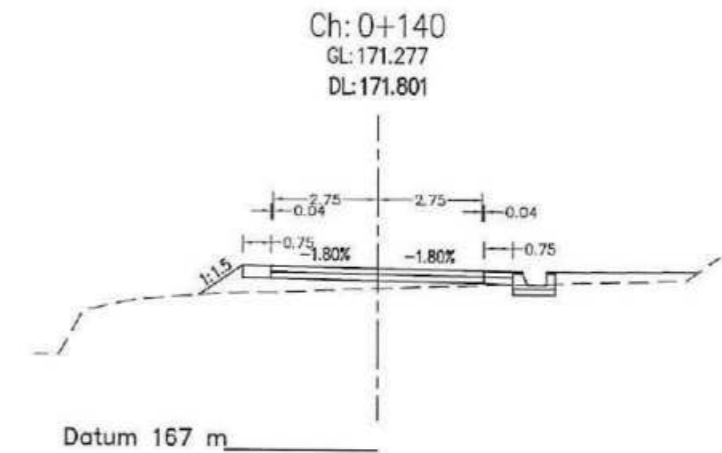
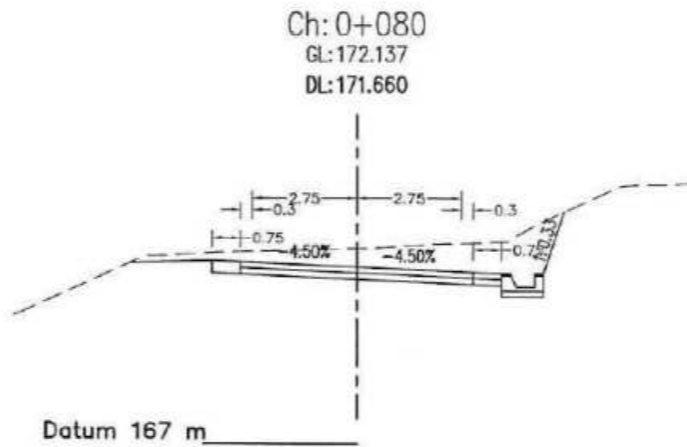
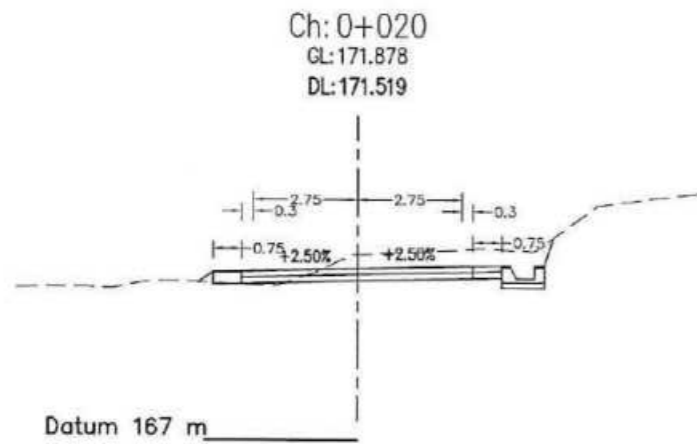
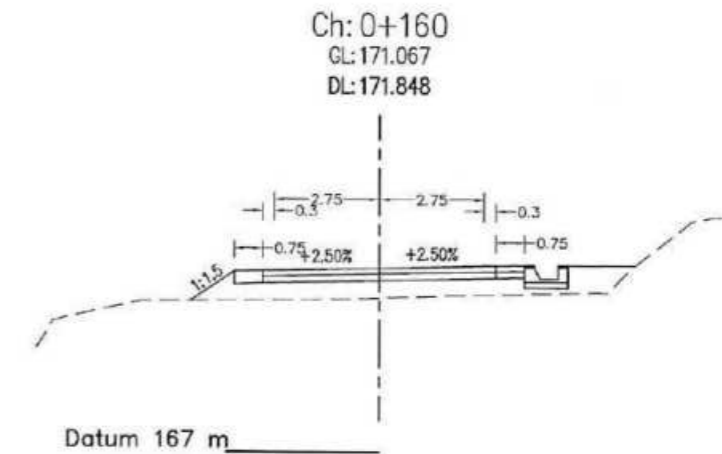
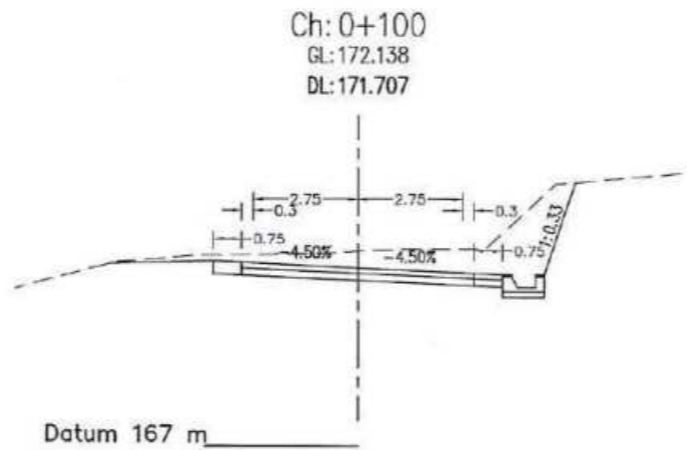
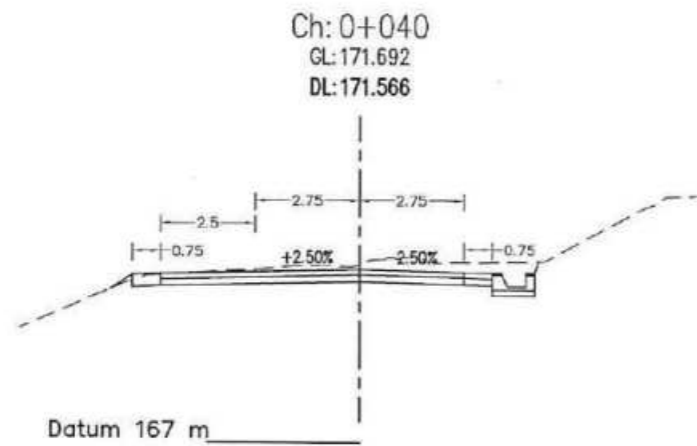
DATE:
DRG NO: CS
SHEET NO: 92



<p>Government of Nepal Ministry of Federal Affairs and General Administration Department of Local Infrastructure (DoLI) Rural Connectivity Improvement Project (RCIP) Project Coordination Unit (PCU) Pulchowk, Lalitpur</p>	<p>Consultant: Joint Venture of AVIYAAN - SOILTEST - CARD 254 Ekata Marg, New Baneshwor, Kathmandu-34, Nepal Phone: 977-1-4104307 Email: info@aviyaan.com</p>	<p>Jagadi - Dhansari - Ganeshman Charnath Na. Pa. (Province No - 2 Connecting) Road, Sindhuli</p>	DATE	REVISION	SIGNATURE	DESIGNED BY :	<p>SCALE 1:200 </p>	Cross-Section	DATE:
						DRAWN BY :		16+560-16+640	DRG NO : CS
					CHECKED BY :				SHEET NO : 93
					APPROVED BY :				

CROSS SECTION : Alignment To Tallo Dhansari





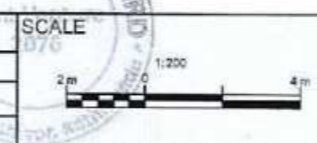
Government of Nepal
Ministry of Urban Development
Department of Local Infrastructure
Rural Connectivity Improvement Project (RCIP)
Project Coordination Unit
Lalitpur

Government of Nepal
Ministry of Federal Affairs and General Administration
Department of Local Infrastructure (DoLI)
Rural Connectivity Improvement Project (RCIP)
Project Coordination Unit (PCU)
Fulchowk, Lalitpur

Consultant:
Joint Venture of
AVIYAAN - SOILTEST - CARD
254 Ekata Marg, New Baneshwor,
Kathmandu-34, Nepal
Phone: 977-1-4104307
Email: info@aviyaan.com

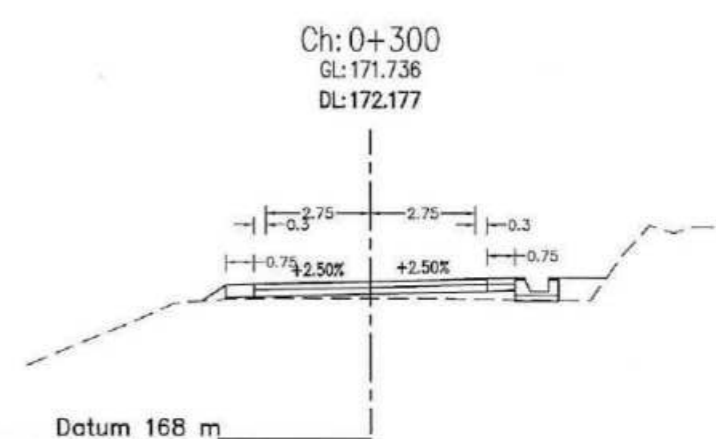
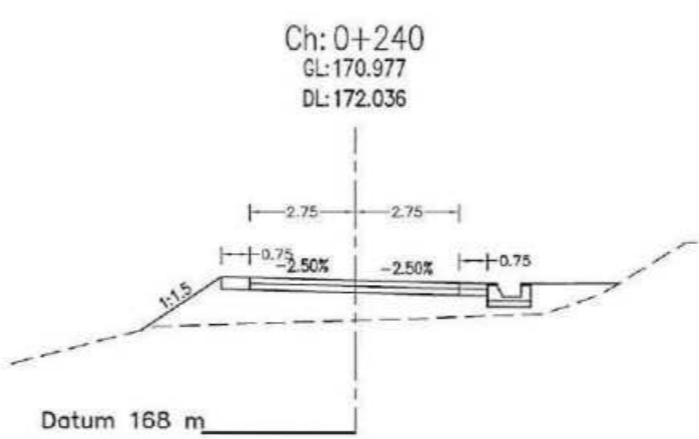
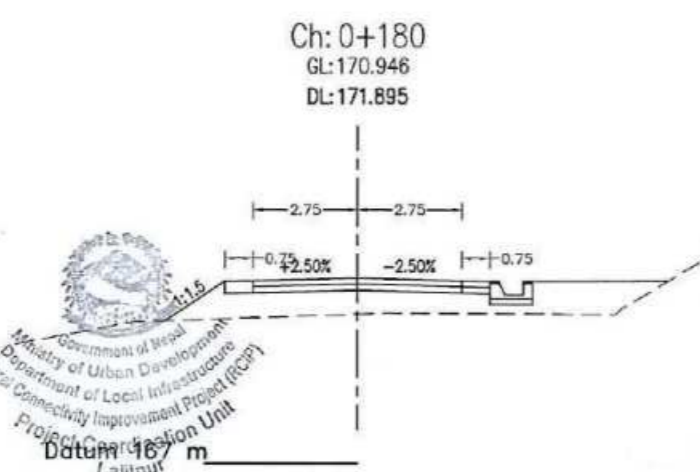
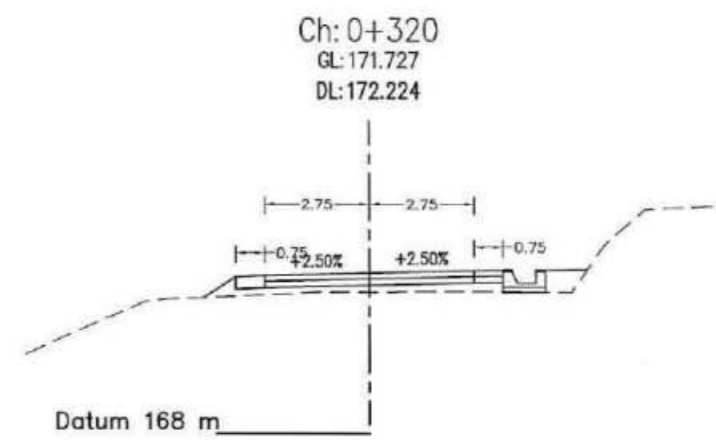
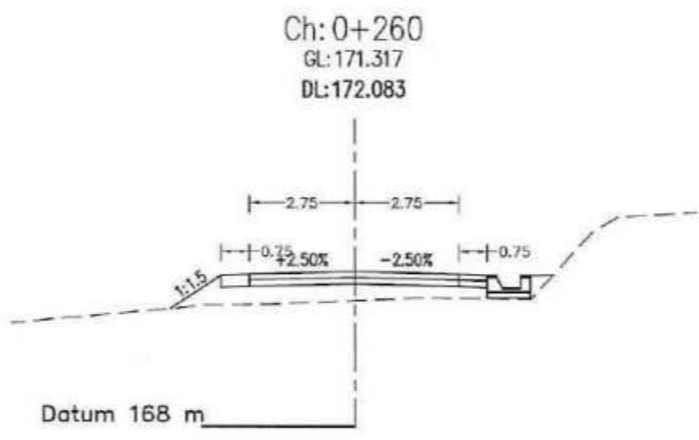
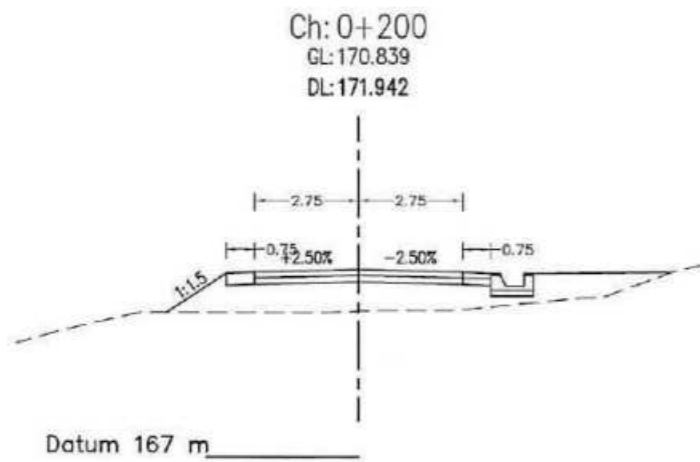
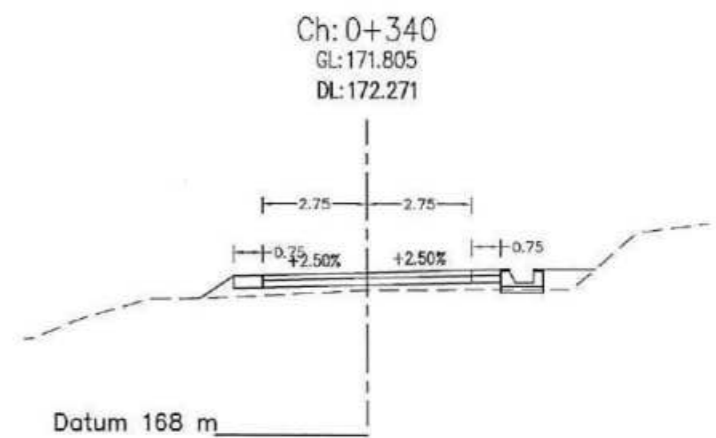
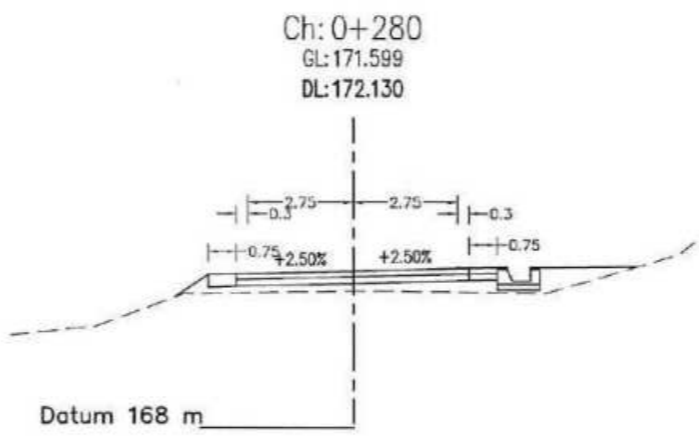
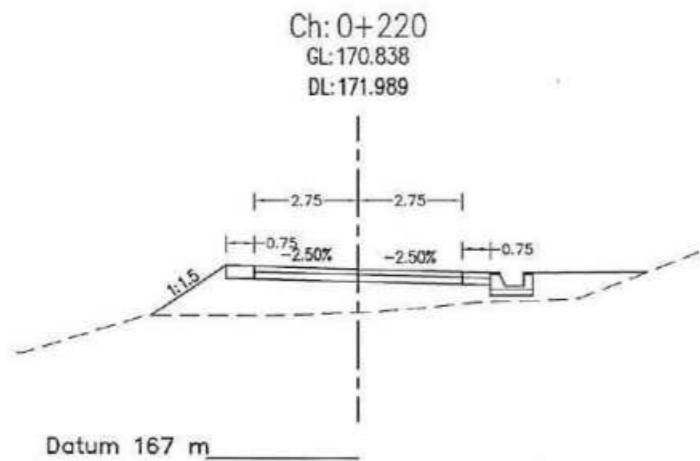
Jagadi - Dhansari -
Ganeshman Charnath Na. Pa.
(Province No - 2 Connecting)
Road, Sindhuli

DATE	REVISION	SIGNATURE	DESIGNED BY :	DRAWN BY :	CHECKED BY :	APPROVED BY :



Cross-Section
0+000-0+160

DATE:
DRG NO: CS
SHEET NO: 1



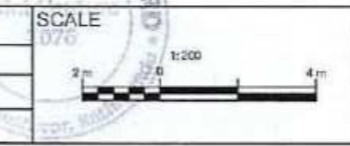
Government of Nepal
Ministry of Urban Development
Department of Local Infrastructure
Rural Connectivity Improvement Project (RCIP)
Project Coordination Unit
Lalitpur

Government of Nepal
Ministry of Federal Affairs and General Administration
Department of Local Infrastructure (DoLI)
Rural Connectivity Improvement Project (RCIP)
Project Coordination Unit (PCU)
Pulchowk, Lalitpur

Consultant:
Joint Venture of
AVIYAAN - SOILTEST - CARD
254 Ekata Marg, New Baneshwor,
Kathmandu-34, Nepal
Phone: 977-1-4104307
Email: info@aviyaan.com

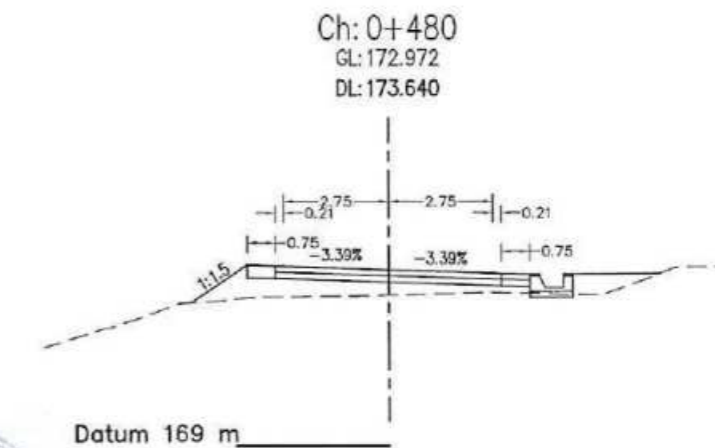
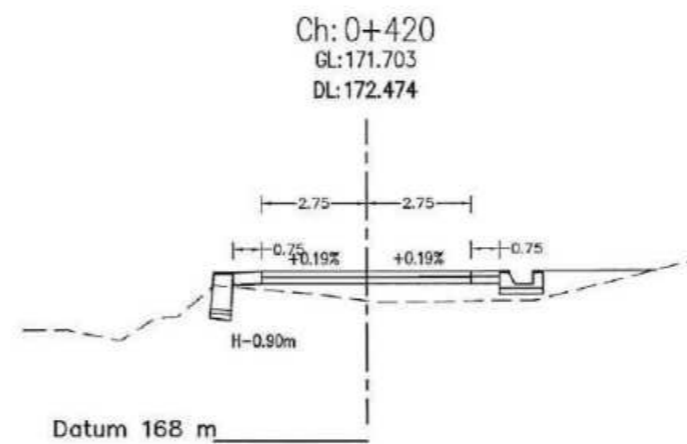
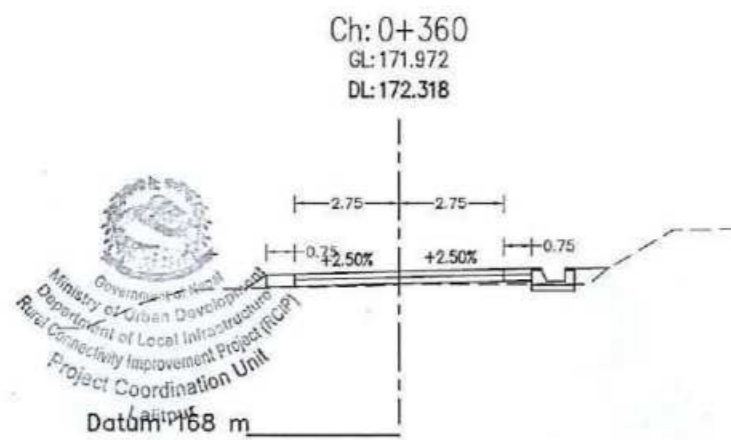
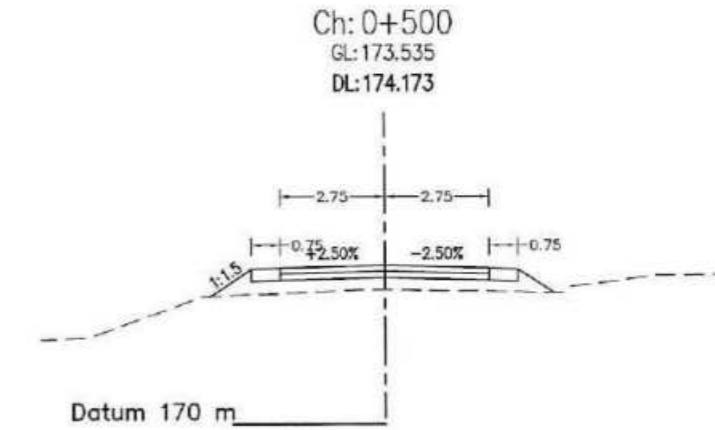
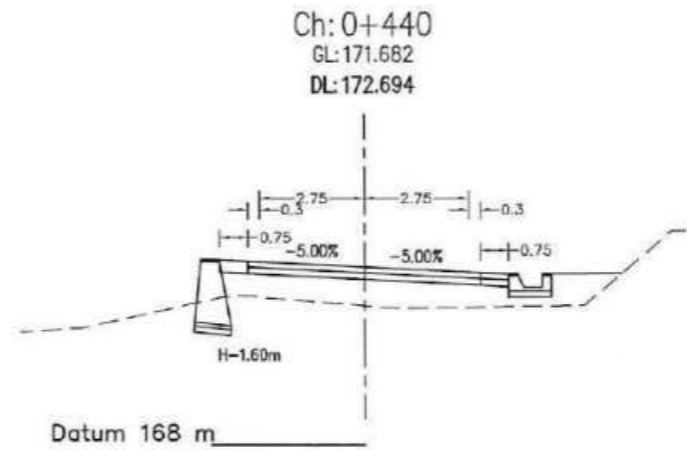
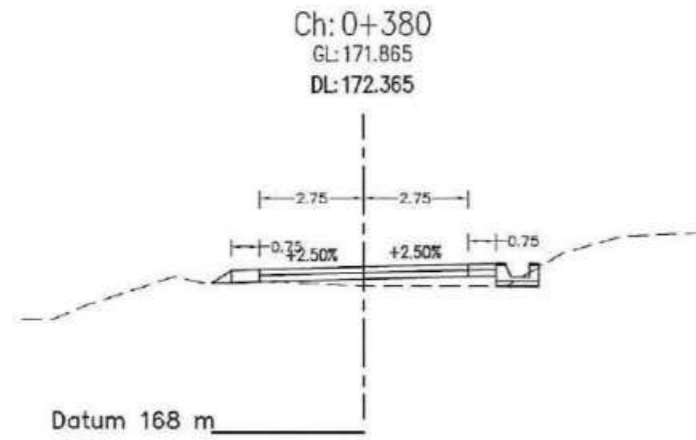
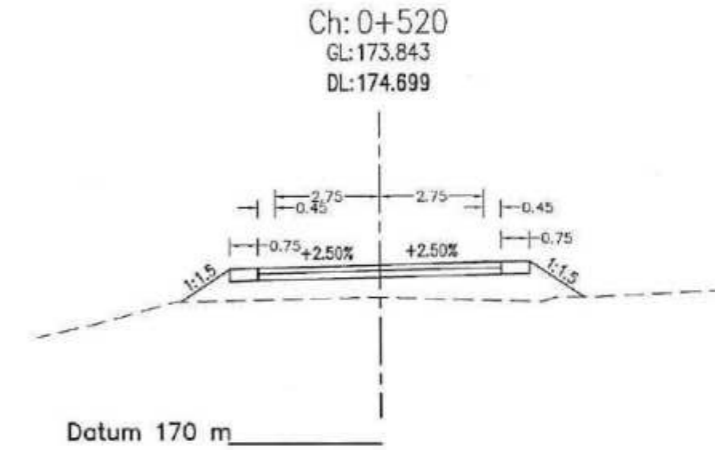
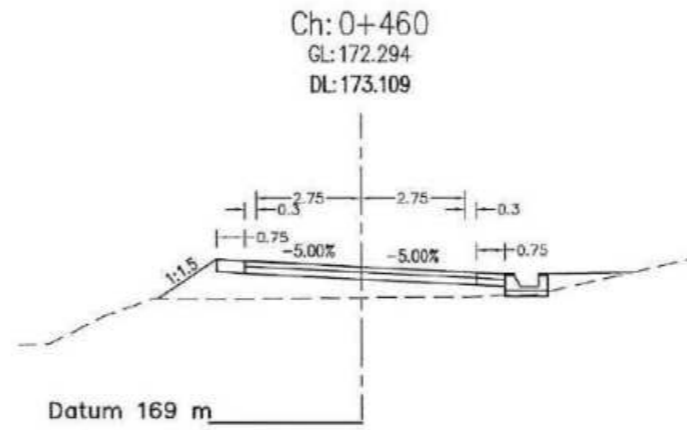
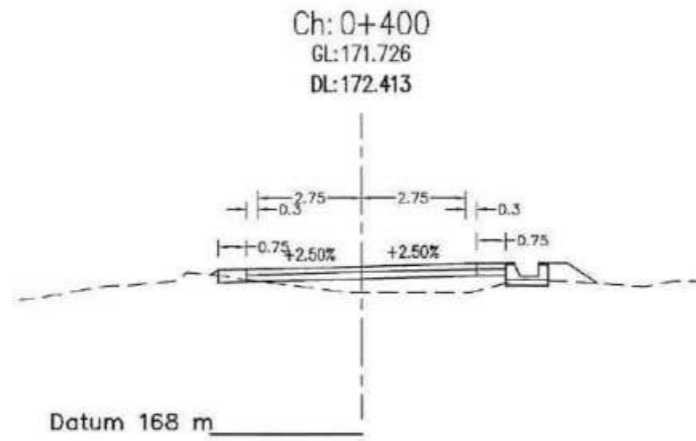
Jagadi - Dhansari -
Ganeshman Chamath Na. Pa.
(Province No - 2 Connecting)
Road, Sindhuli

DATE	REVISION	SIGNATURE	DESIGNED BY :	DRAWN BY :	CHECKED BY :	APPROVED BY :



Cross-Section
0+180-0+340

DATE:
DRG NO: CS -
SHEET NO: 2

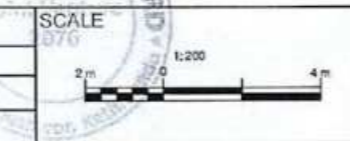


Government of Nepal
Ministry of Federal Affairs and General Administration
Department of Local Infrastructure (DoLI)
Rural Connectivity Improvement Project (RCIP)
Project Coordination Unit (PCU)
Pulchowk, Lalitpur

Consultant:
Joint Venture of
AVIYAAN - SOILTEST - CARD
254 Ekata Marg, New Baneshwor,
Kathmandu-34, Nepal
Phone: 977-1-4104307
Email: info@aviyaan.com

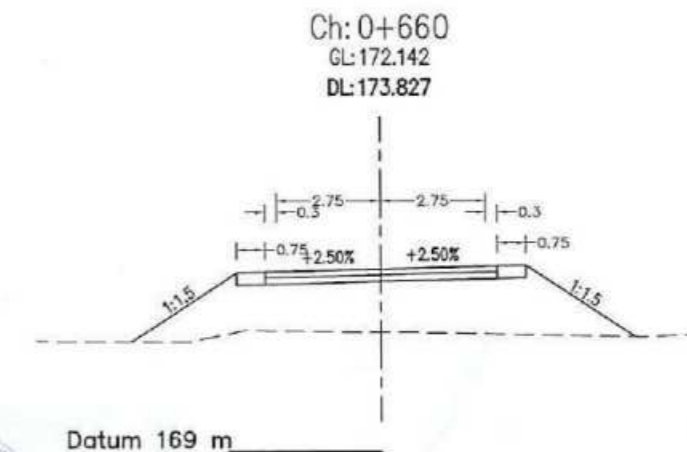
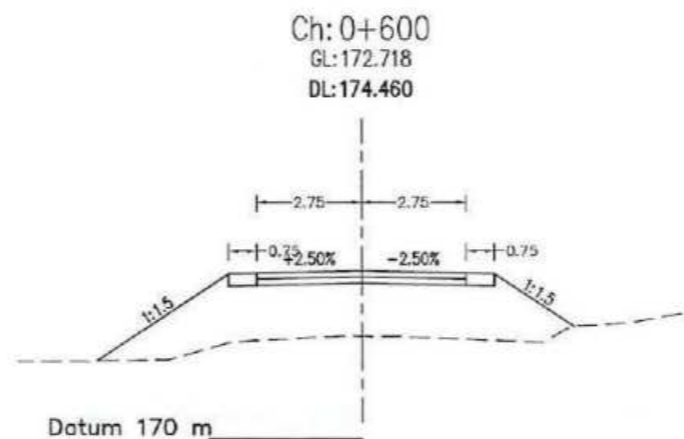
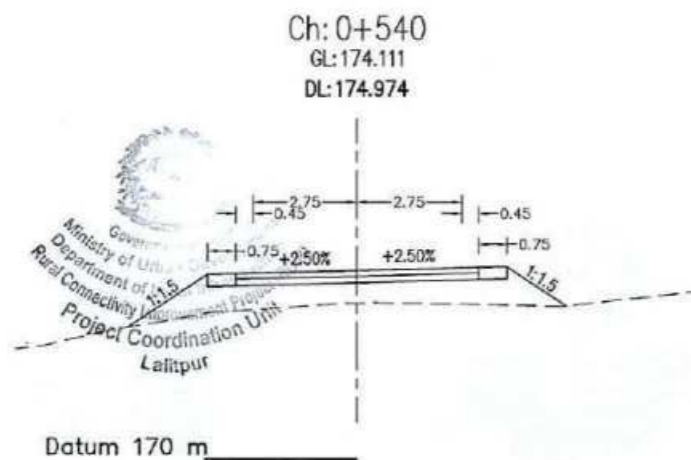
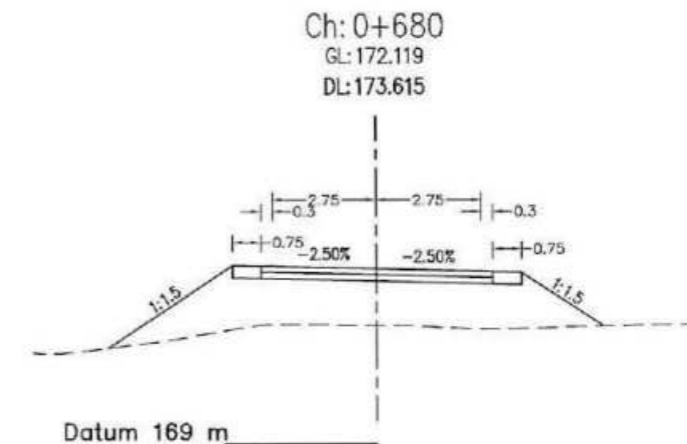
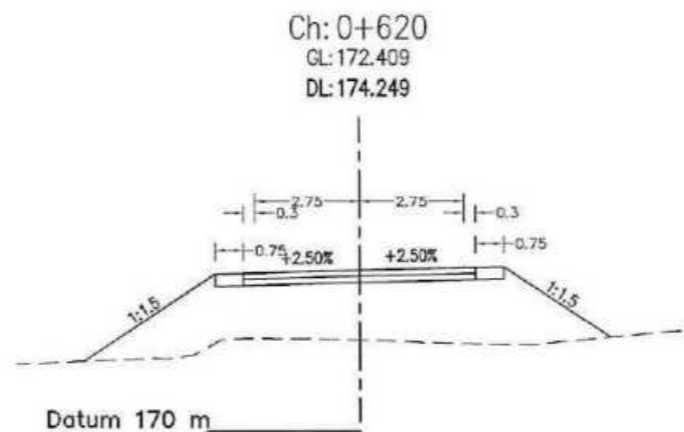
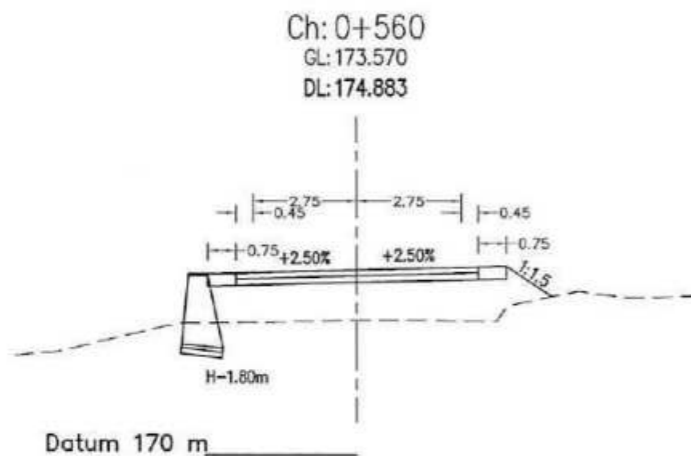
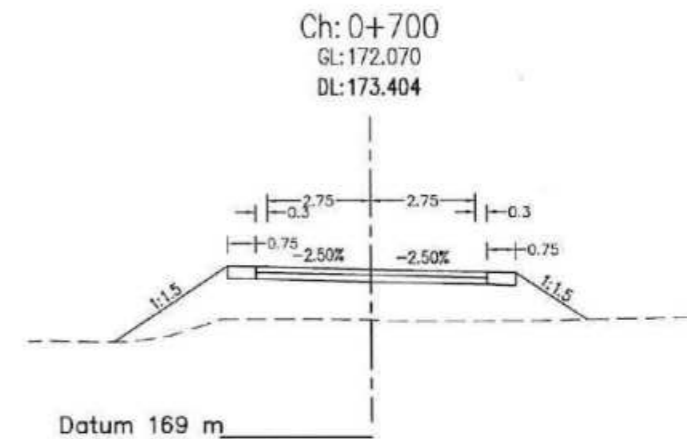
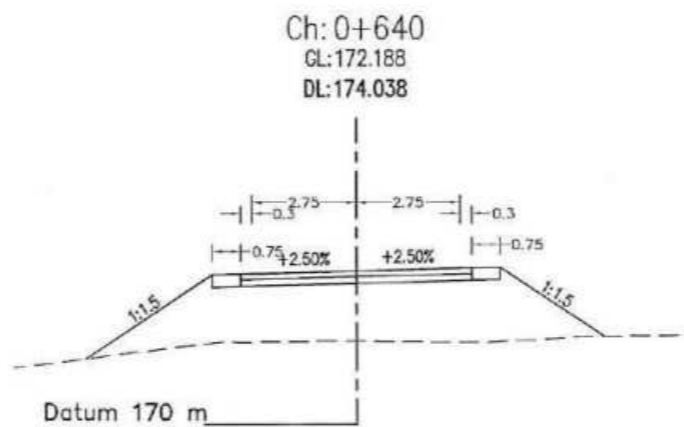
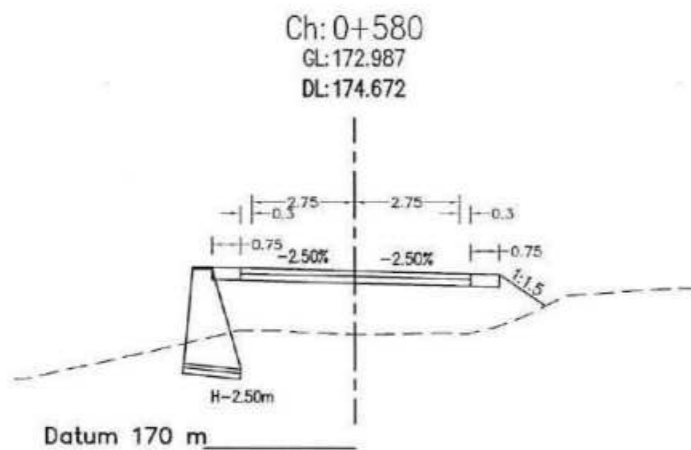
Jagadi - Dhansari -
Ganeshman Chamath Na. Pa.
(Province No - 2 Connecting)
Road, Sindhuli

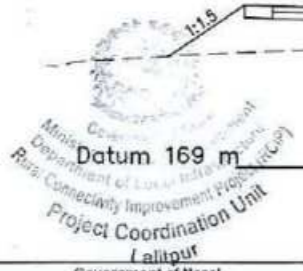
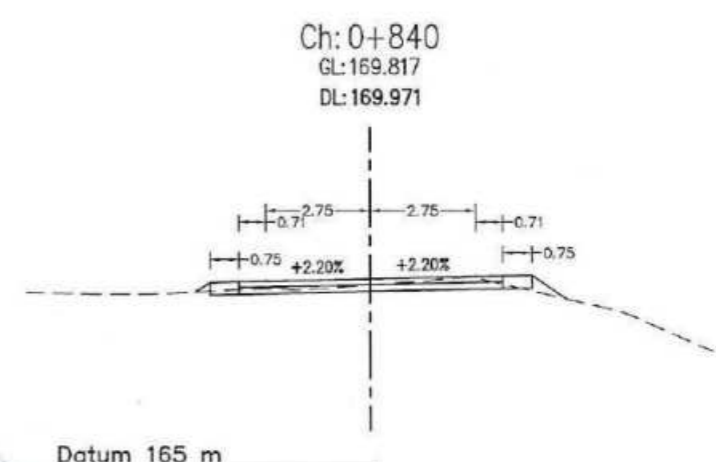
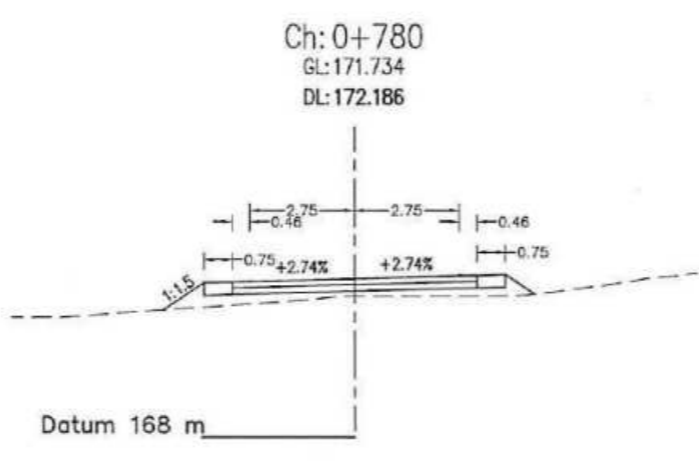
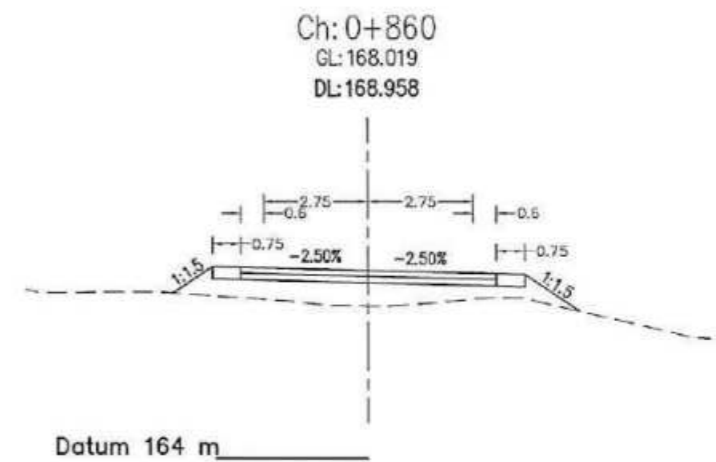
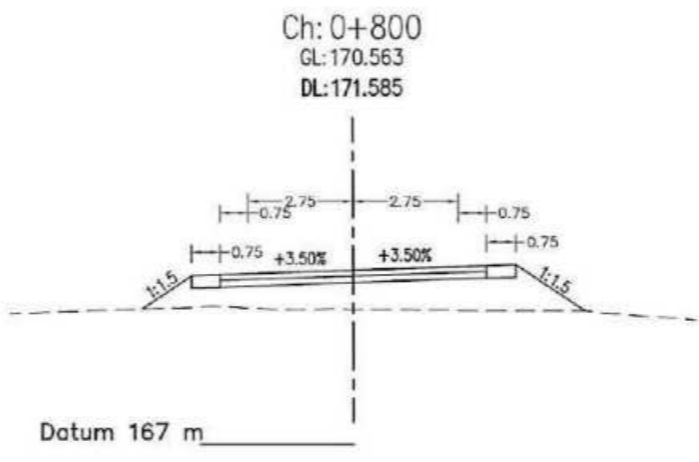
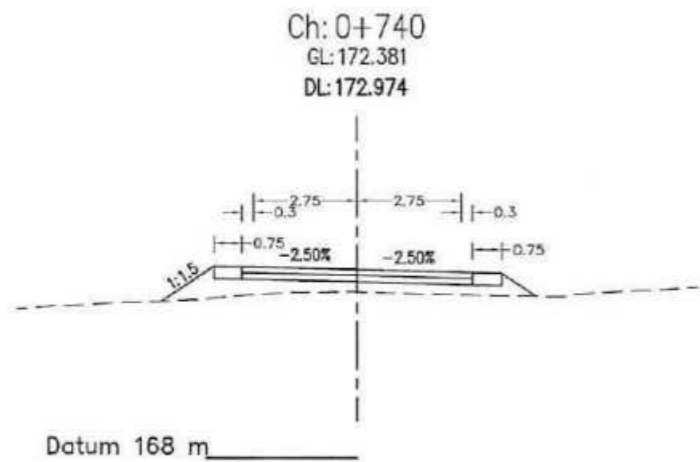
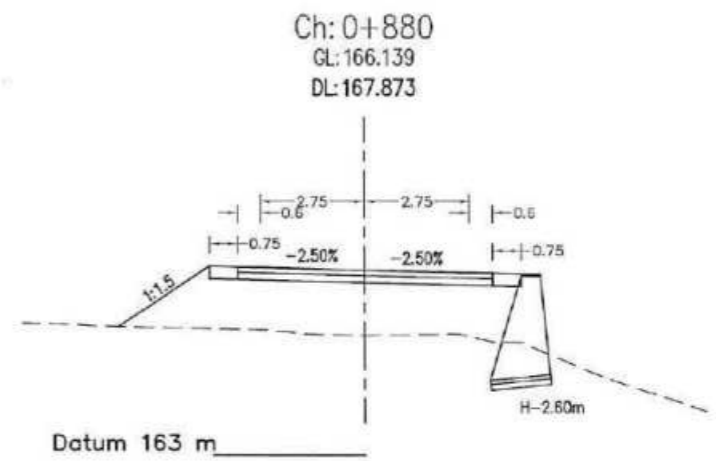
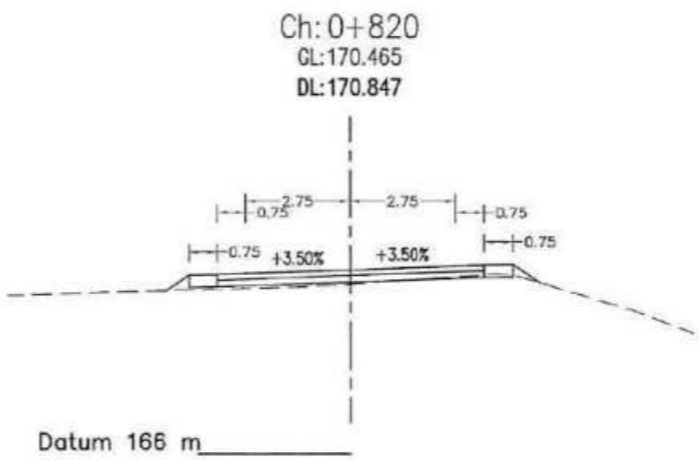
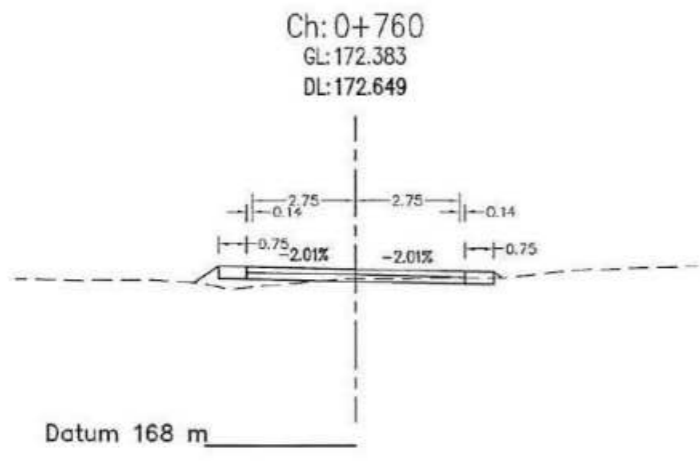
DATE	REVISION	SIGNATURE	DESIGNED BY :
			GH
			DRAWN BY :
			CHECKED BY :
			APPROVED BY :



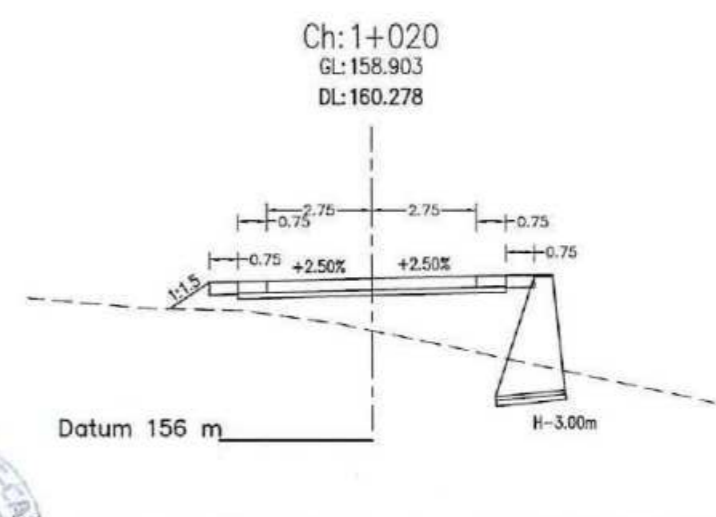
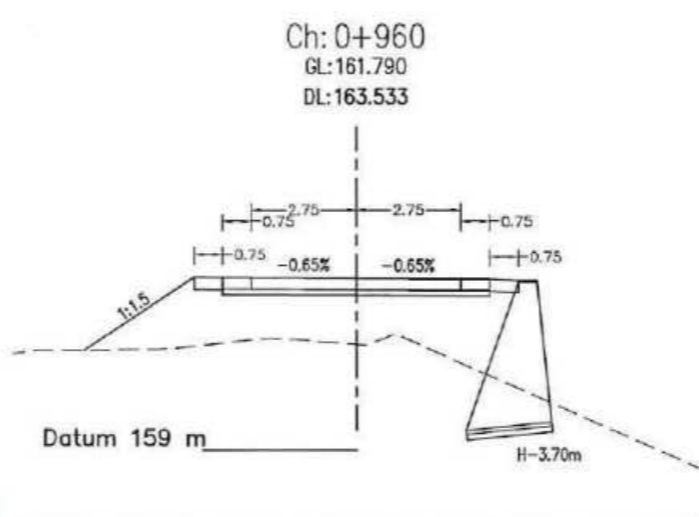
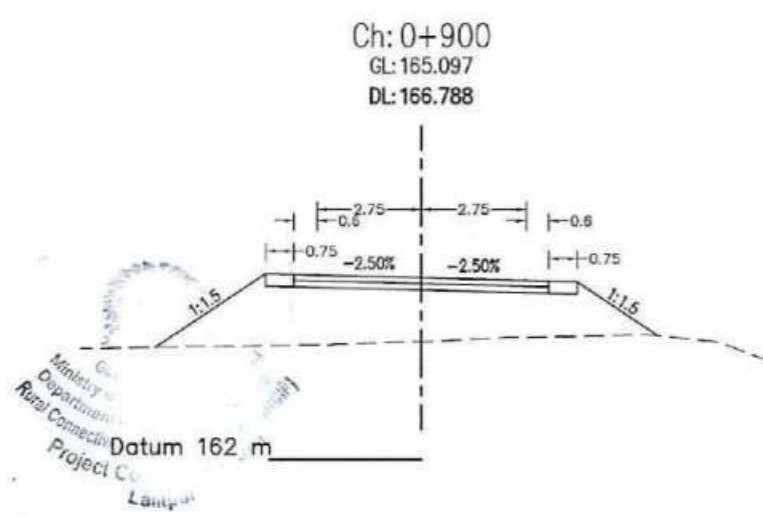
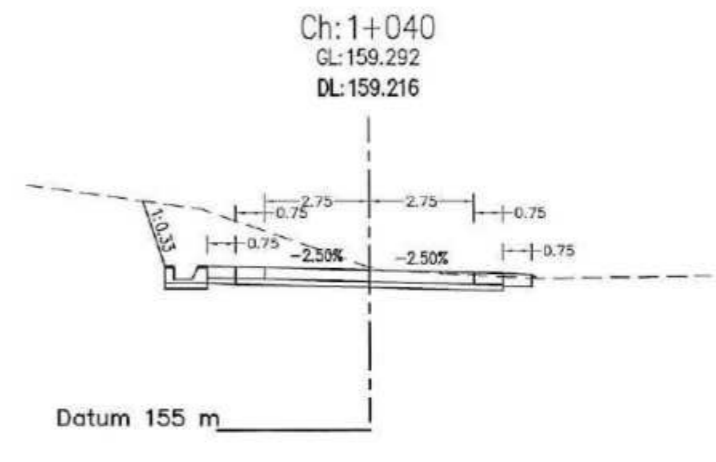
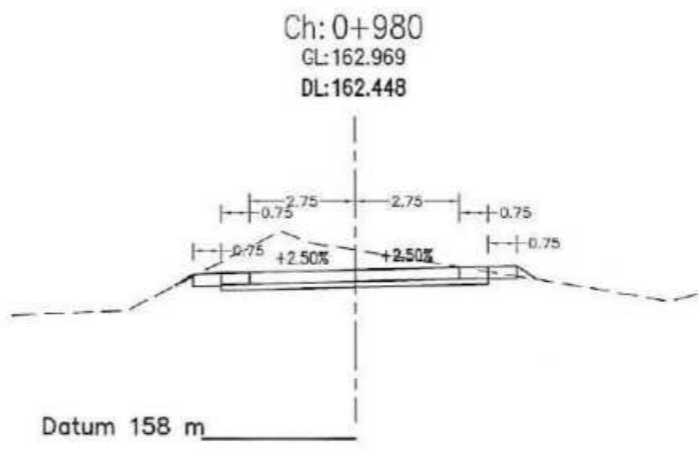
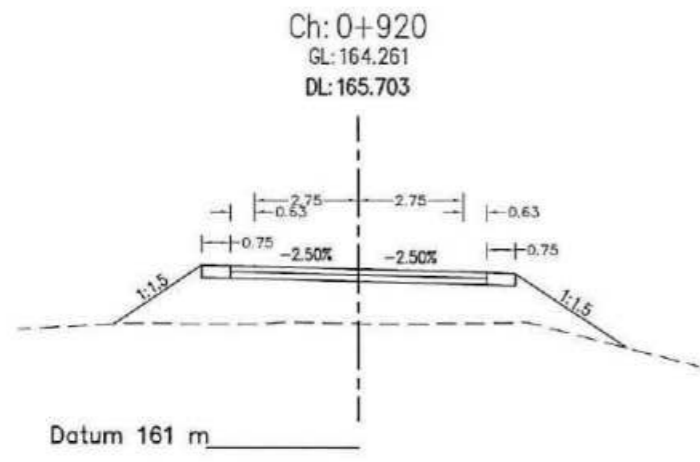
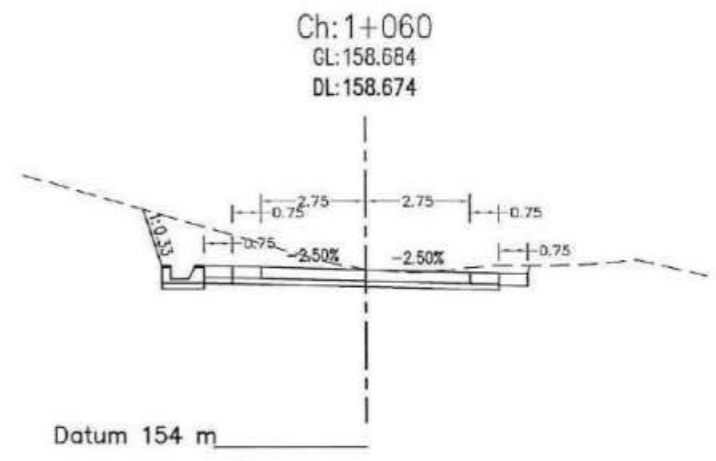
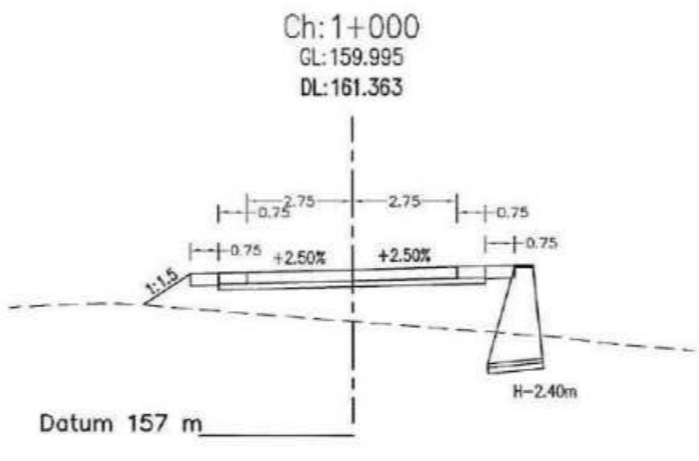
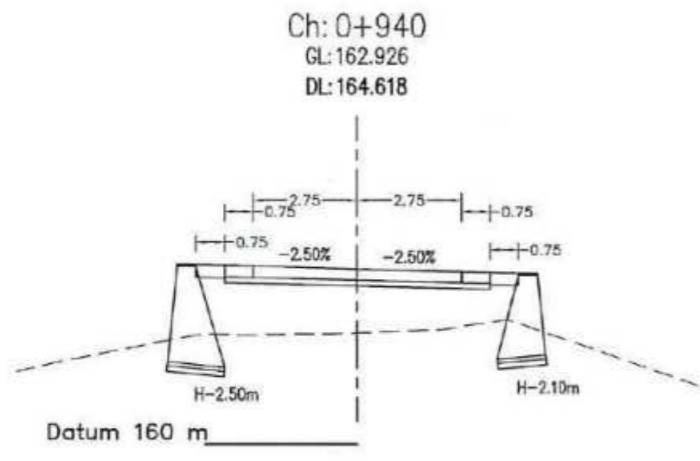
Cross-Section
0+360-0+520

DATE:
DRG NO: CS
SHEET NO: 3

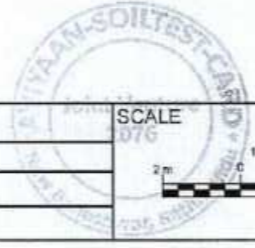
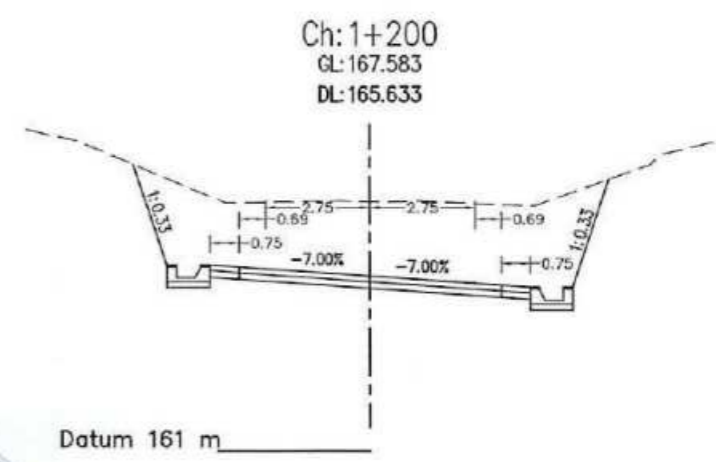
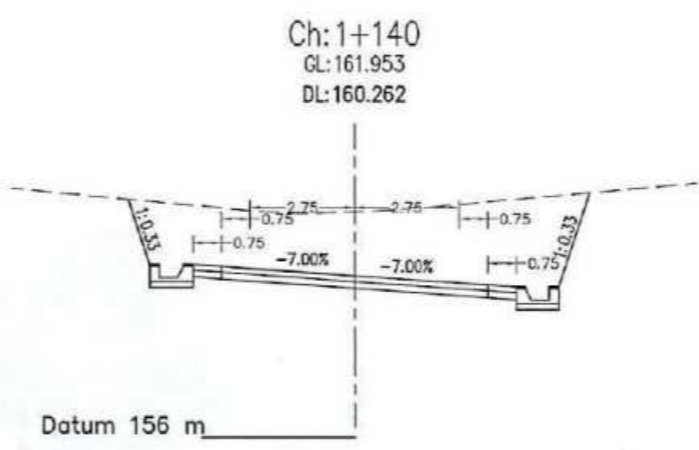
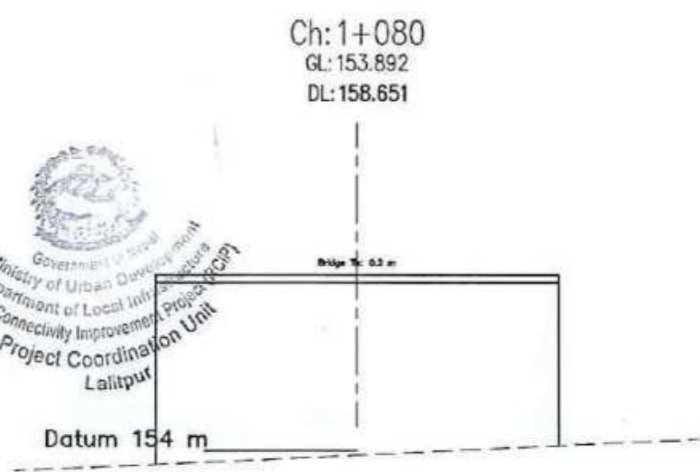
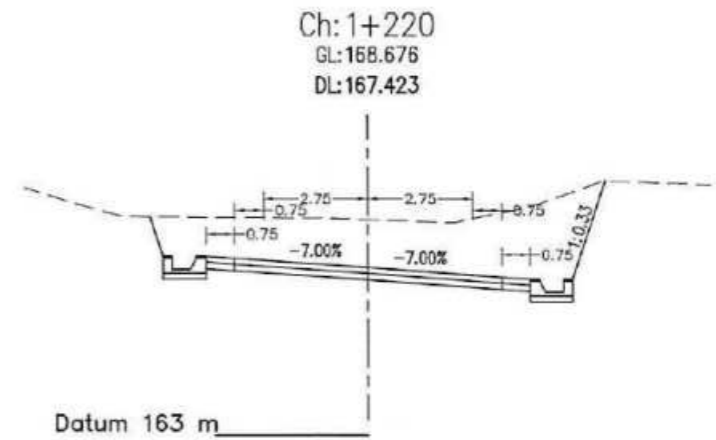
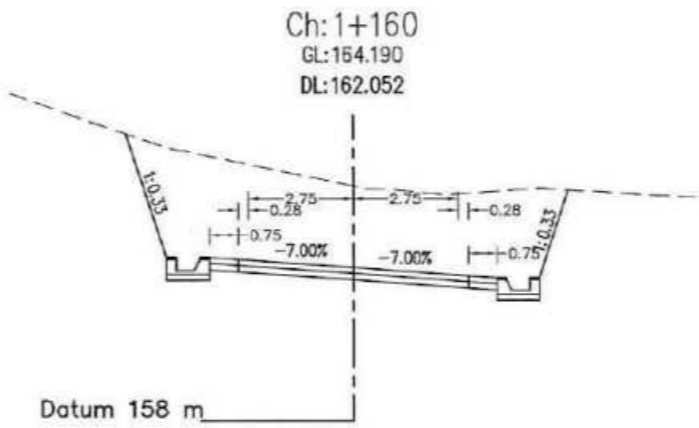
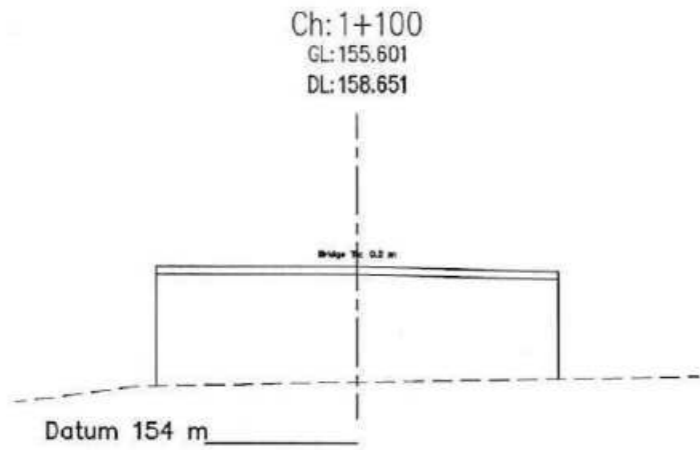
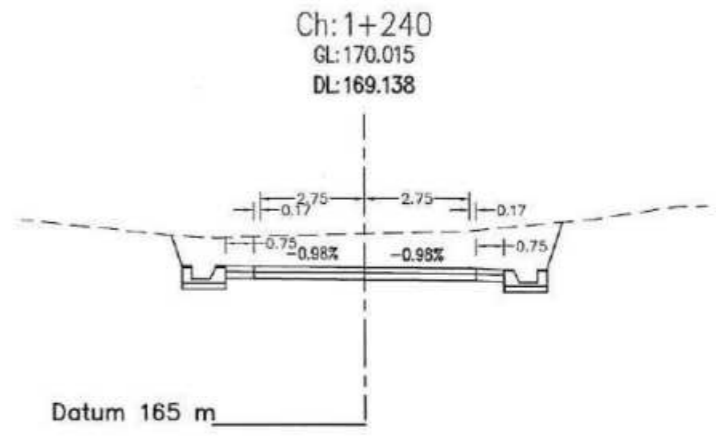
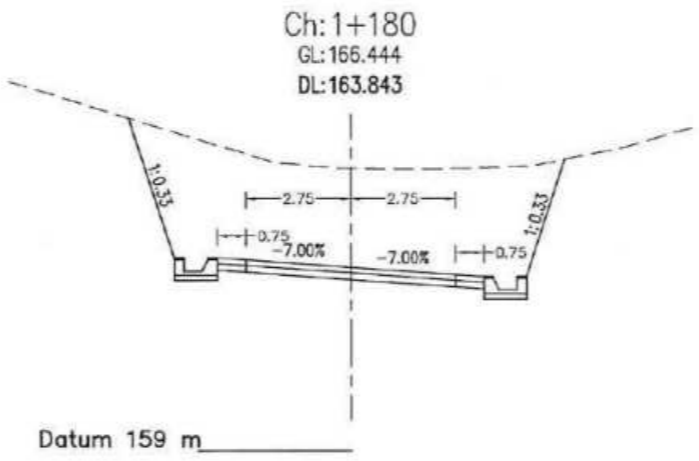
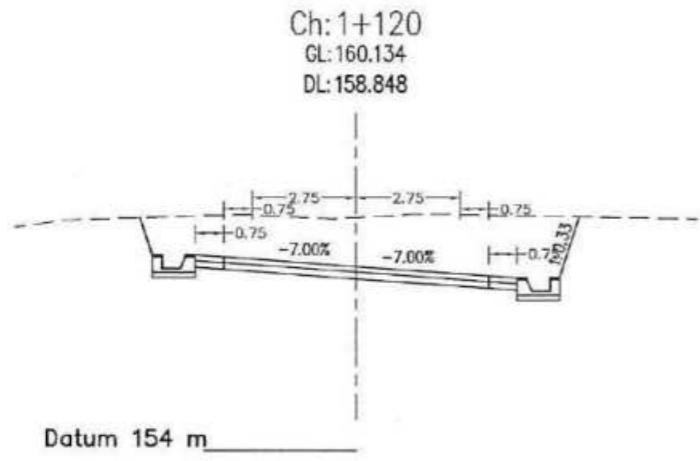




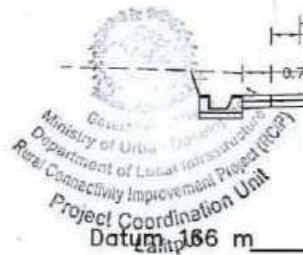
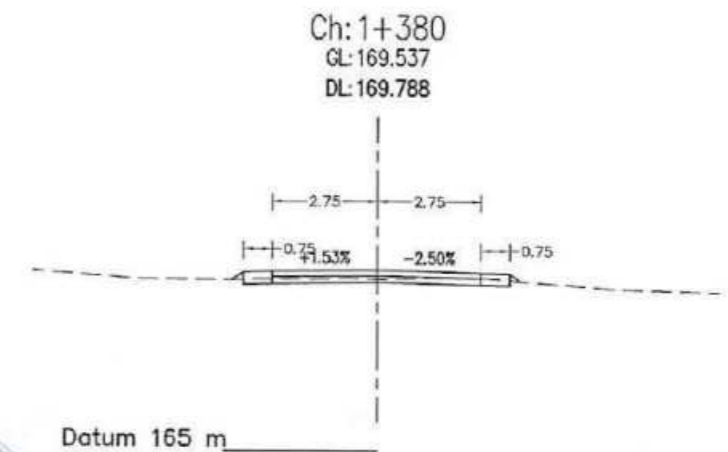
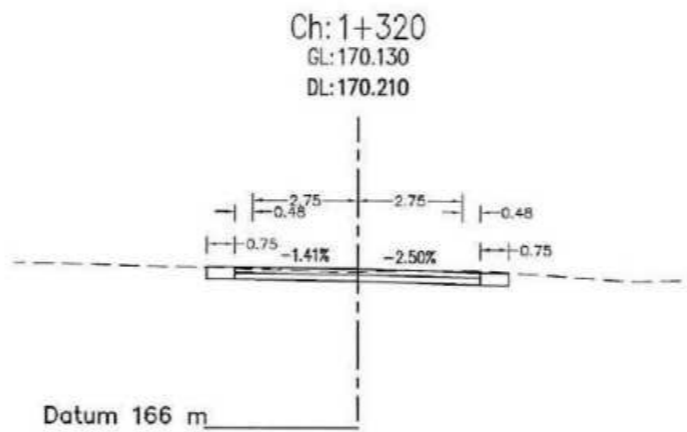
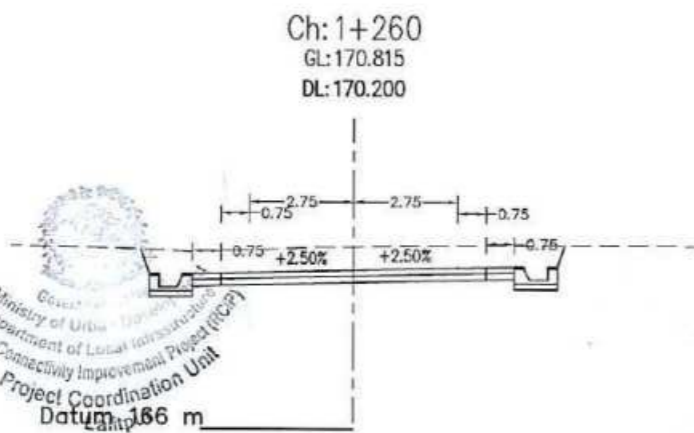
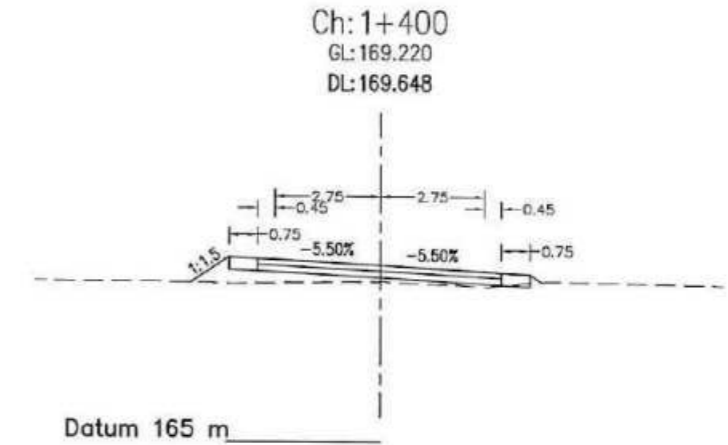
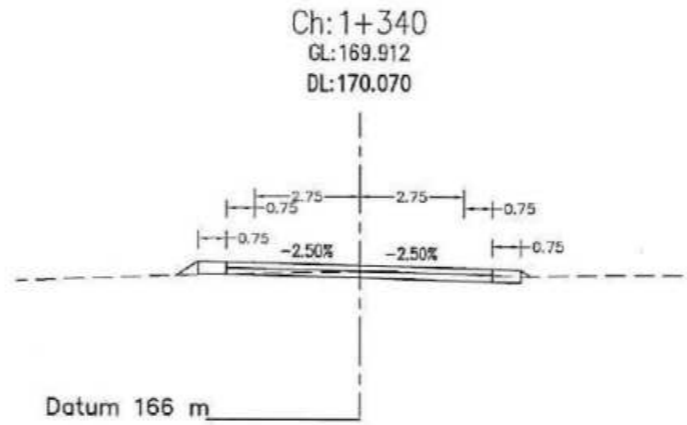
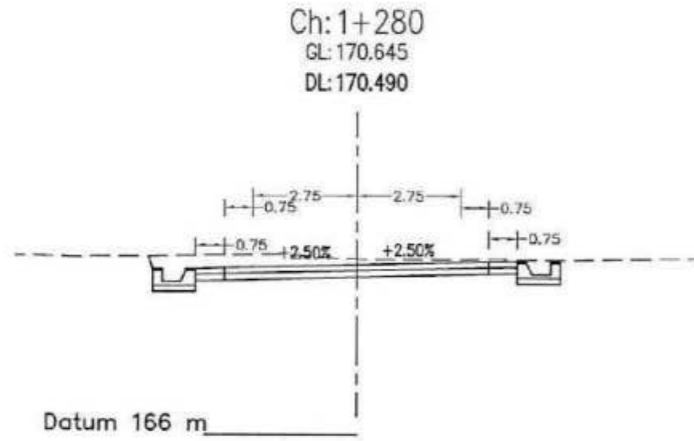
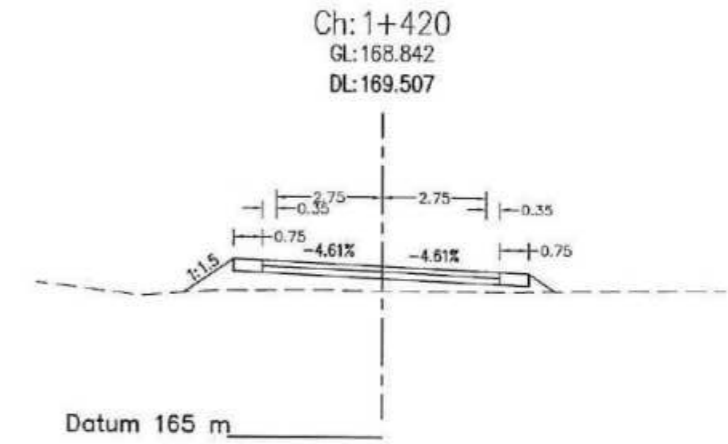
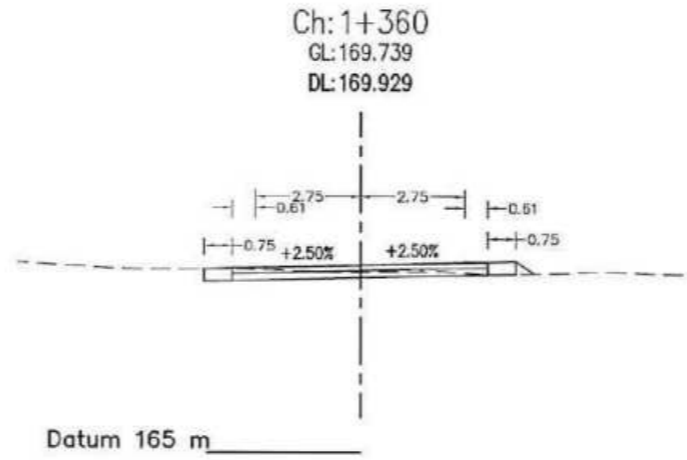
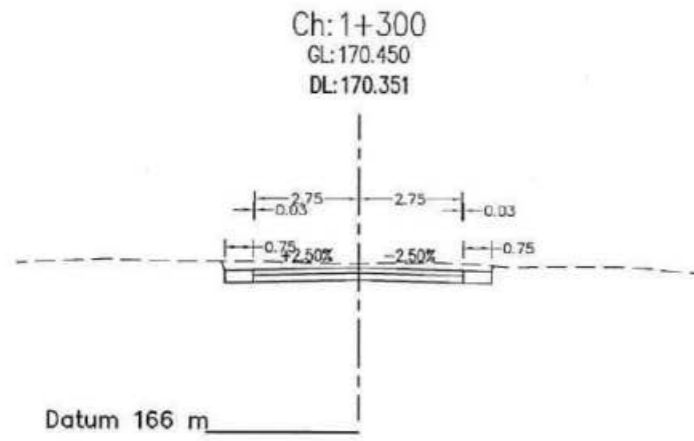
<p>Government of Nepal Ministry of Federal Affairs and General Administration Department of Local Infrastructure (DoLI) Rural Connectivity Improvement Project (RCIP) Project Coordination Unit (PCU) Pulchowk, Lalitpur</p>	<p>Consultant: Joint Venture of AVIYAAN - SOILTEST - CARD 254 Ekata Marg, New Baneshwor, Kathmandu-34, Nepal Phone: 977-1-4104307 Email: info@aviyaan.com</p>	<p>Jagadi - Dhansari - Ganeshman Charnath Na. Pa. (Province No - 2 Connecting) Road, Sindhuli</p>	DATE	REVISION	SIGNATURE	DESIGNED BY :	<p>SCALE 1:200 </p>	Cross-Section	DATE:
						DRAWN BY :			DRG NO : CS
						APPROVED BY :	0+720-0+880	SHEET NO : 5	



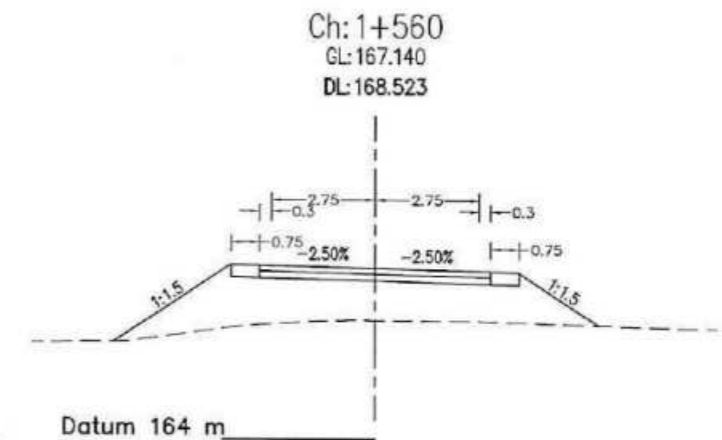
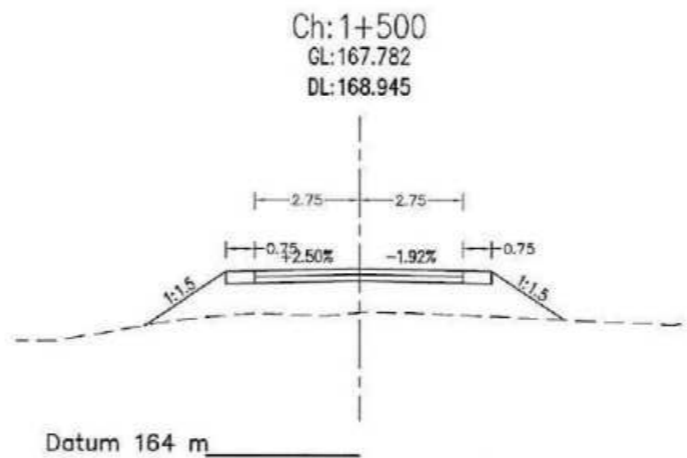
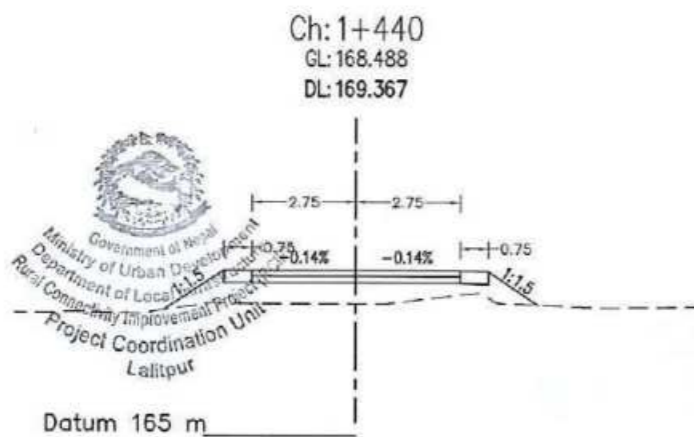
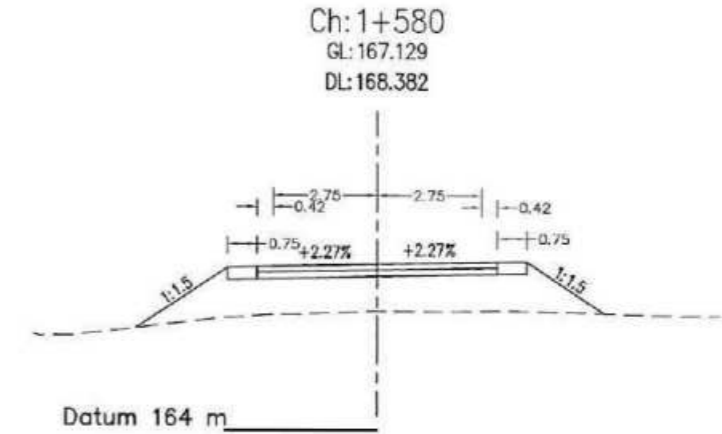
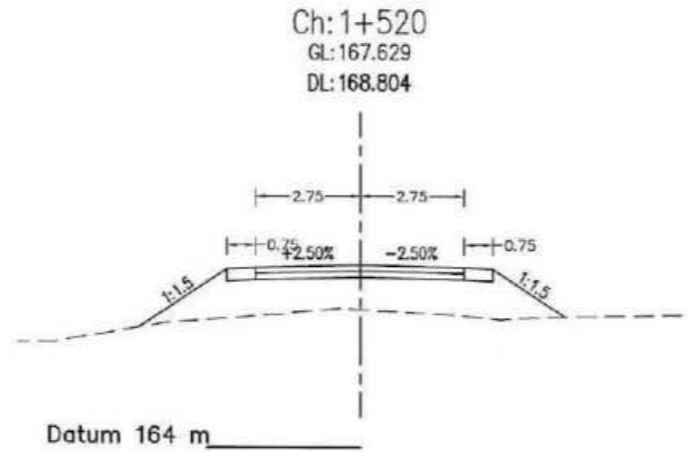
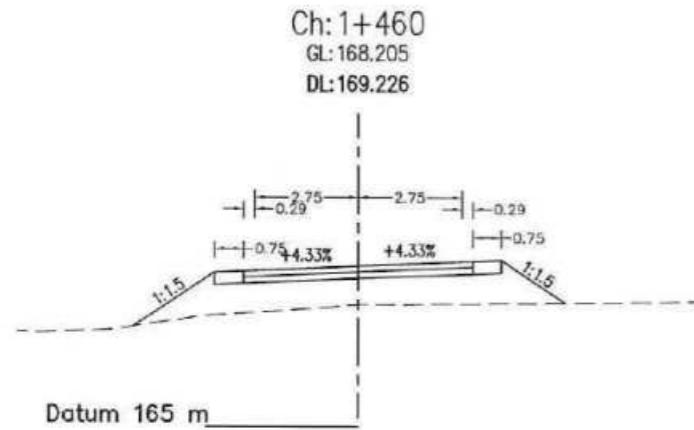
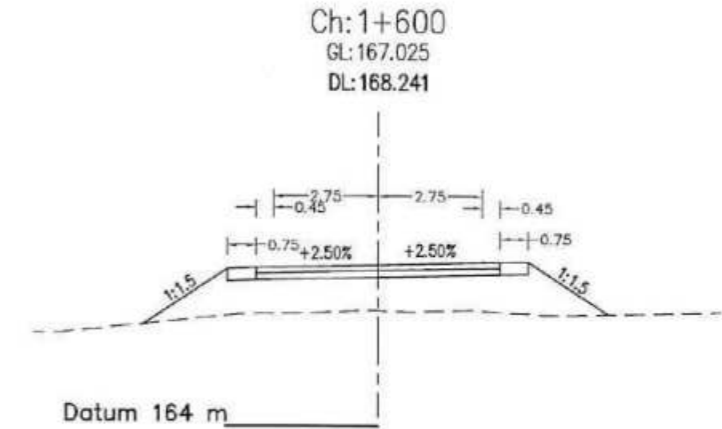
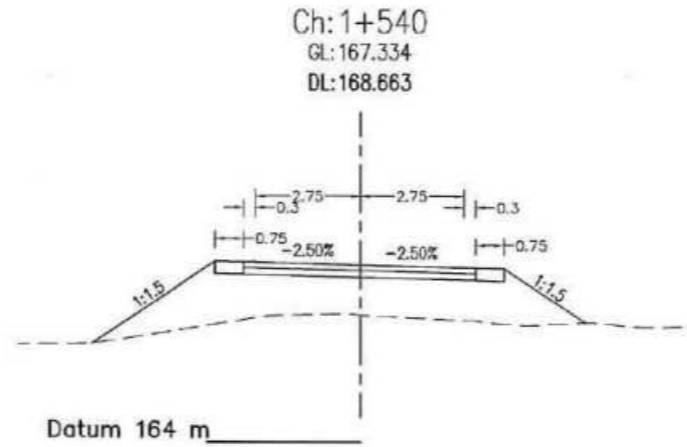
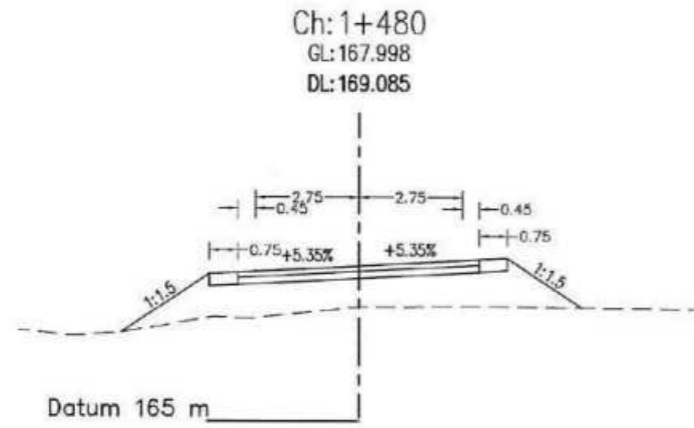
<p>Government of Nepal Ministry of Federal Affairs and General Administration Department of Local Infrastructure (DoLI) Rural Connectivity Improvement Project (RCIP) Project Coordination Unit (PCU) Pulchowk, Lalitpur</p>	<p>Consultant: Joint Venture of AVIYAAN - SOILTEST - CARD 254 Ekata Marg, New Baneshwor, Kathmandu-34, Nepal Phone: 977-1-4104307 Email: info@aviyaan.com</p>	<p>Jagadi - Dhansari - Ganeshman Charnath Na. Pa. (Province No - 2 Connecting) Road, Sindhuli</p>	DATE	REVISION	SIGNATURE	DESIGNED BY :	<p>SCALE 1:200</p>	Cross-Section	DATE:
						DRAWN BY :			DRG NO : CS
					CHECKED BY :		0+900-1+060	SHEET NO :	6
					APPROVED BY :				



Government of Nepal Ministry of Federal Affairs and General Administration Department of Local Infrastructure (DoLI) Rural Connectivity Improvement Project (RCIP) Project Coordination Unit (PCU) Pulchowk, Lalitpur	Consultant: AVIYAAN - SOILTEST - CARD 254 Ekata Marg, New Baneshwor, Kathmandu-34, Nepal Phone: 977-1-4104307 Email: info@aviyaan.com	Jagadi - Dhansari - Ganeshman Charnath Na. Pa. (Province No - 2 Connecting) Road, Sindhuli	DATE	REVISION	SIGNATURE	DESIGNED BY : <i>[Signature]</i>	SCALE 1:200 	Cross-Section	DATE:
						DRAWN BY : <i>[Signature]</i>			1+080-1+240
						CHECKED BY : <i>[Signature]</i>			SHEET NO: 7
						APPROVED BY :			



<p>Government of Nepal Ministry of Federal Affairs and General Administration Department of Local Infrastructure (DoLI) Rural Connectivity Improvement Project (RCIP) Project Coordination Unit (PCU) Pulchowk, Lalitpur</p>	<p>Consultant: Joint Venture of AVIYAAN - SOILTEST - CARD 254 Ekata Marg, New Baneshwar, Kathmandu-34, Nepal Phone: 977-1-4104307 Email: info@avilyaan.com</p>	<p>Jagadi - Dhansari - Ganeshman Charnath Na. Pa. (Province No - 2 Connecting) Road, Sindhuli</p>	DATE	REVISION	SIGNATURE	DESIGNED BY :	<p>SCALE 1:200 </p>	Cross-Section	DATE:
						DRAWN BY :			DRG NO : CS
						CHECKED BY :		1+260-1+420	SHEET NO :
						APPROVED BY :			8

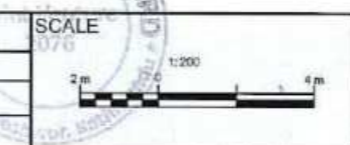


Government of Nepal
Ministry of Federal Affairs and General Administration
Department of Local Infrastructure (DoLI)
Rural Connectivity Improvement Project (RCIP)
Project Coordination Unit (PCU)
Pulchowk, Lalitpur

Consultant:
Joint Venture of
AVIYAAN - SOILTEST - CARD
254 Ekata Marg, New Baneshwor,
Kathmandu-34, Nepal
Phone: 977-1-4104307
Email: info@aviyaan.com

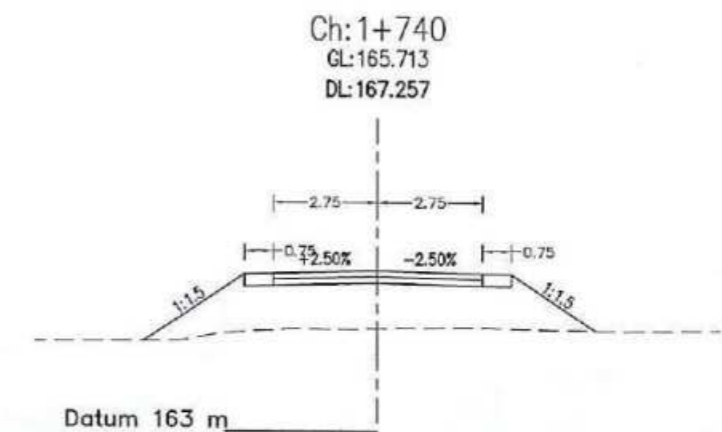
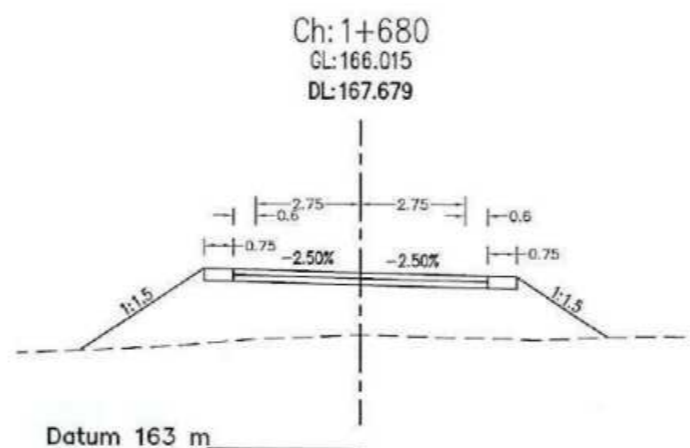
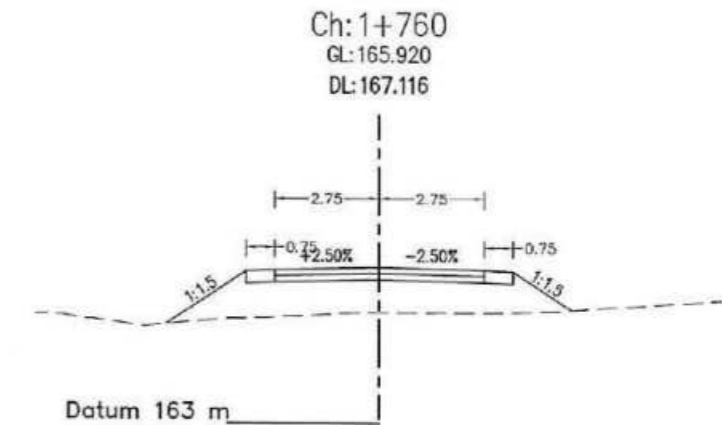
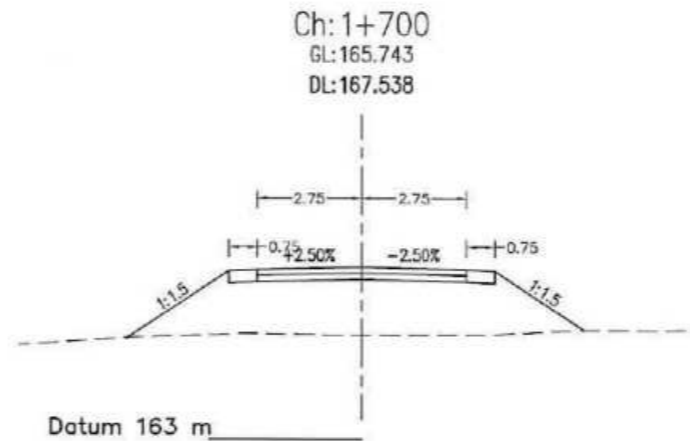
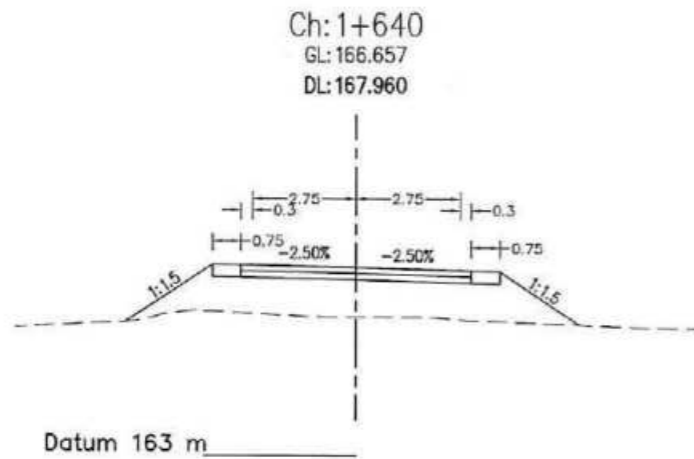
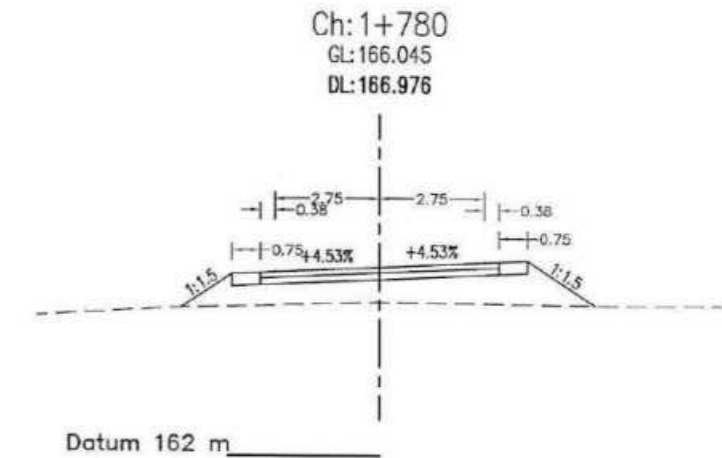
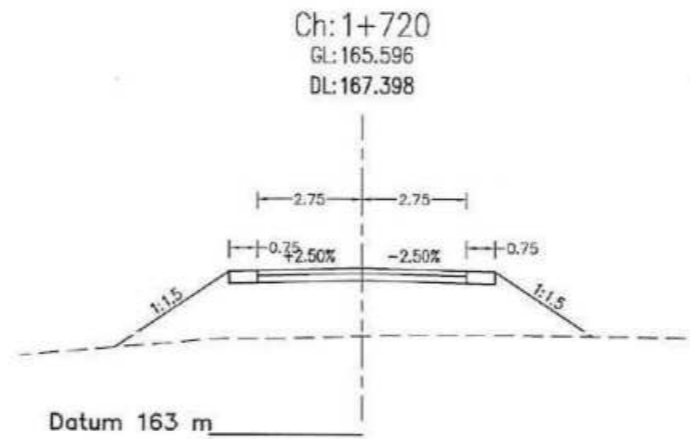
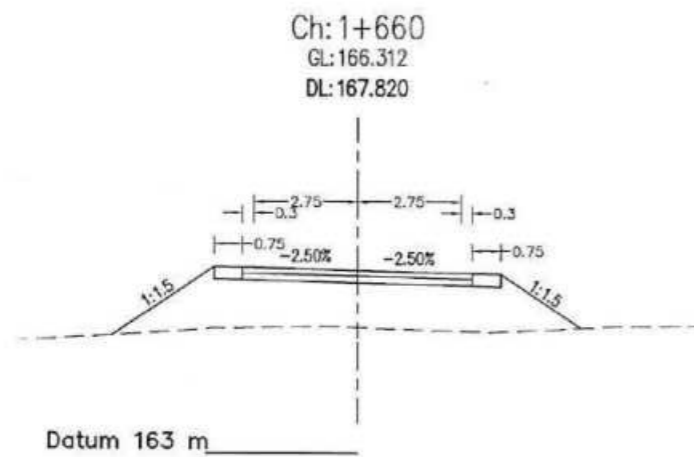
Jagadi - Dhansari -
Ganeshman Charnath Na. Pa.
(Province No - 2 Connecting)
Road, Sindhuli

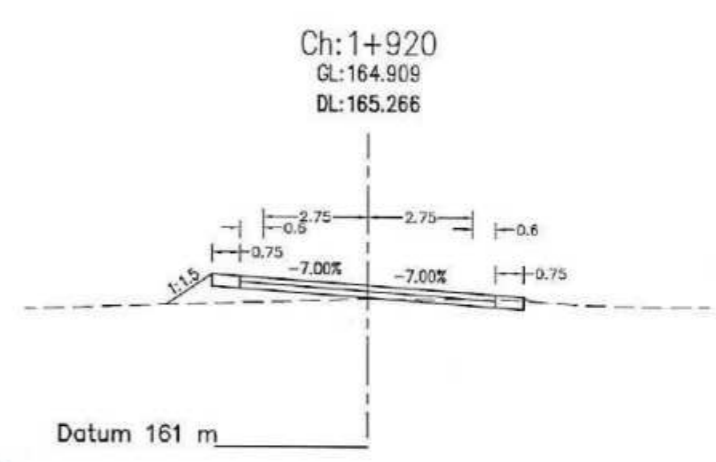
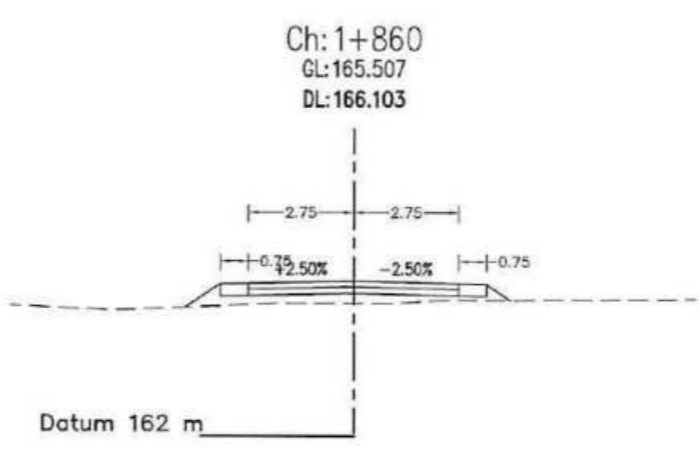
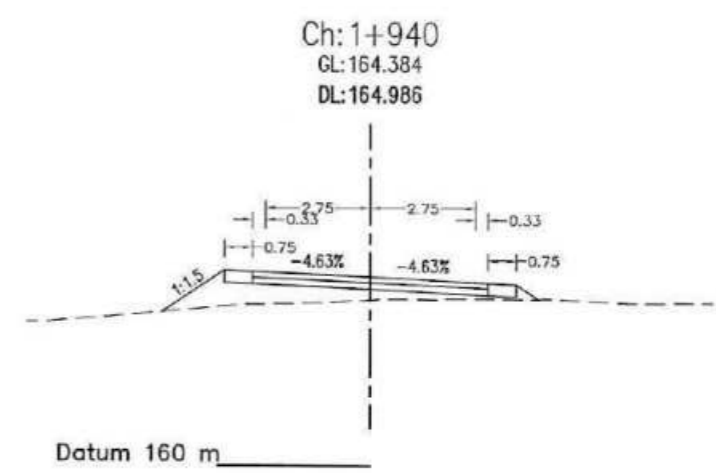
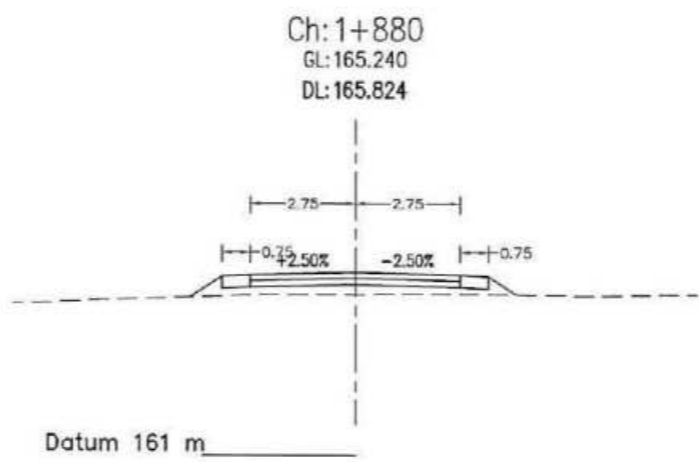
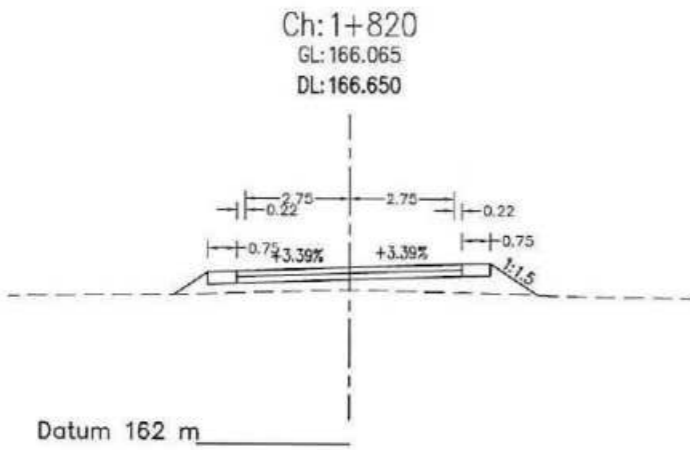
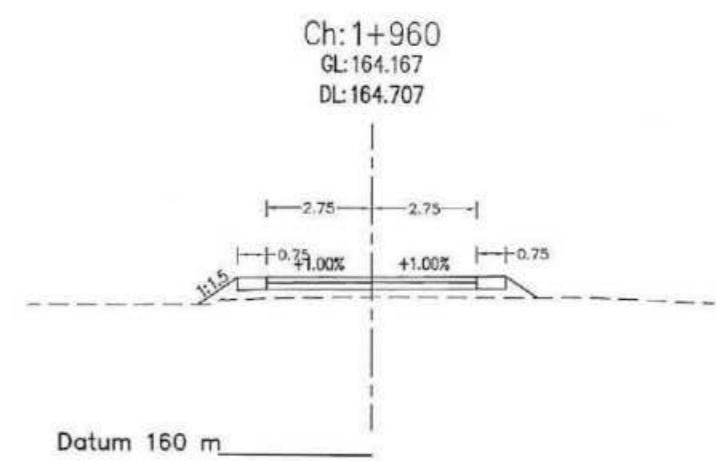
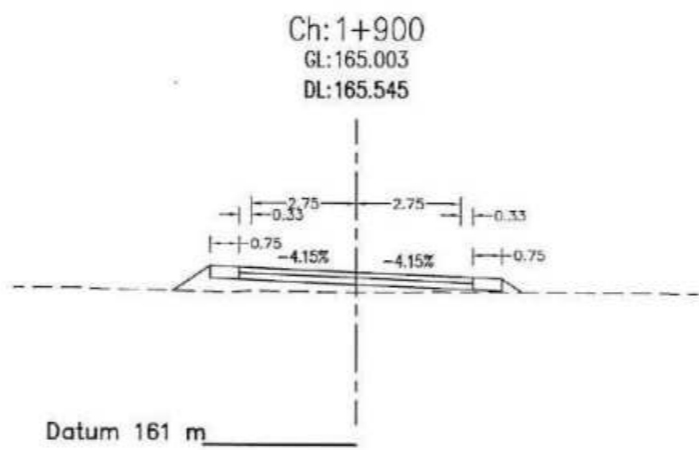
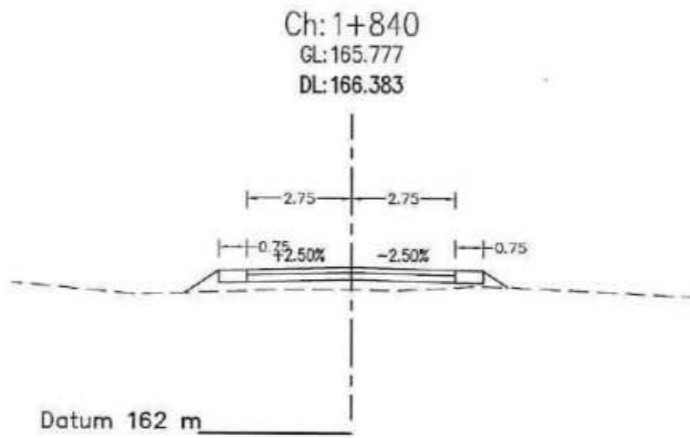
DATE	REVISION	SIGNATURE	DESIGNED BY :	DRAWN BY :	CHECKED BY :	APPROVED BY :



Cross-Section
1+440-1+600

DATE:
DRG NO: CS
SHEET NO: 9





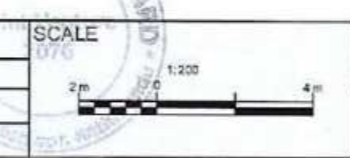
Government of Nepal
Ministry of Urban Infrastructure
Department of Local Infrastructure
Rural Connectivity Improvement Project (RCIP)
Project Coordination Unit
Lalitpur

Government of Nepal
Ministry of Federal Affairs and General Administration
Department of Local Infrastructure (DoLI)
Rural Connectivity Improvement Project (RCIP)
Project Coordination Unit (PCU)
Pulchowk, Lalitpur

Consultant:
Joint Venture of
AVIYAAN - SOILTEST - CARD
254 Ekata Marg, New Baneshwar,
Kathmandu-34, Nepal
Phone: 977-1-4104307
Email: info@aviyaan.com

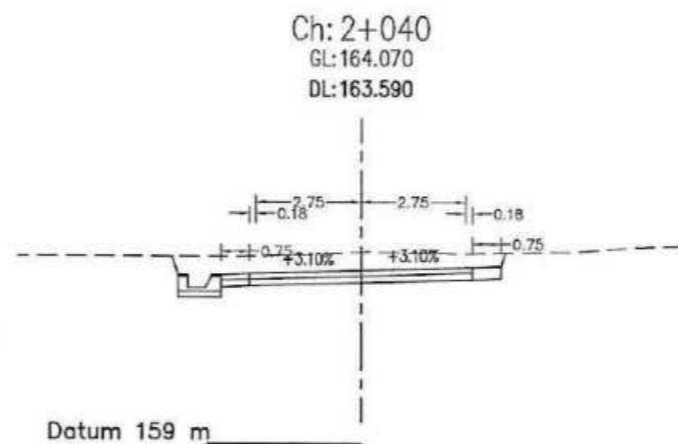
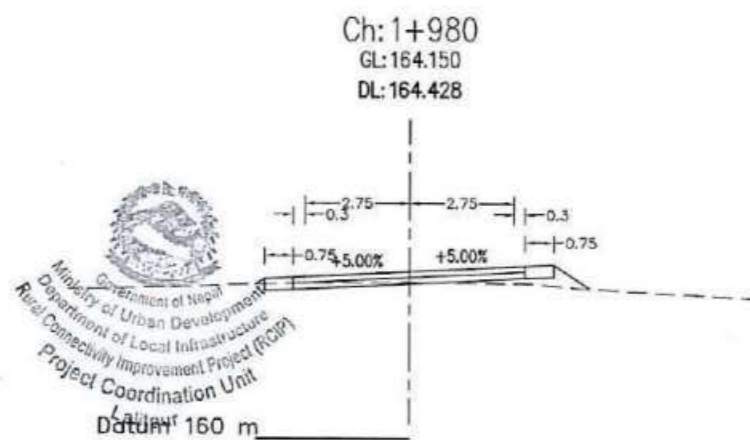
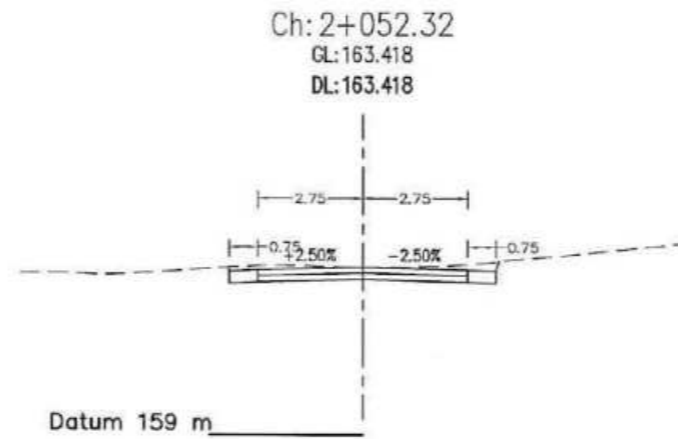
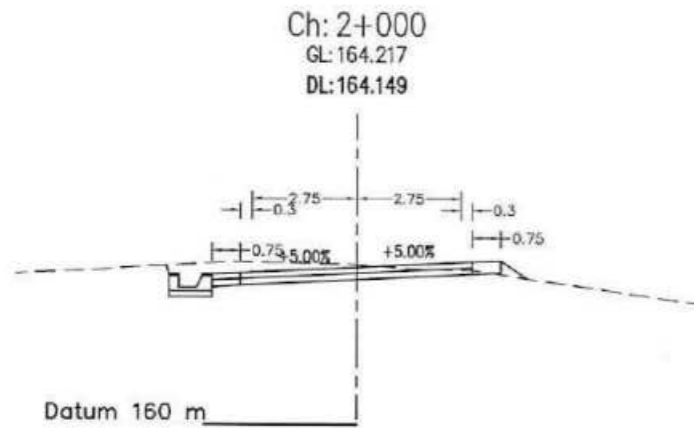
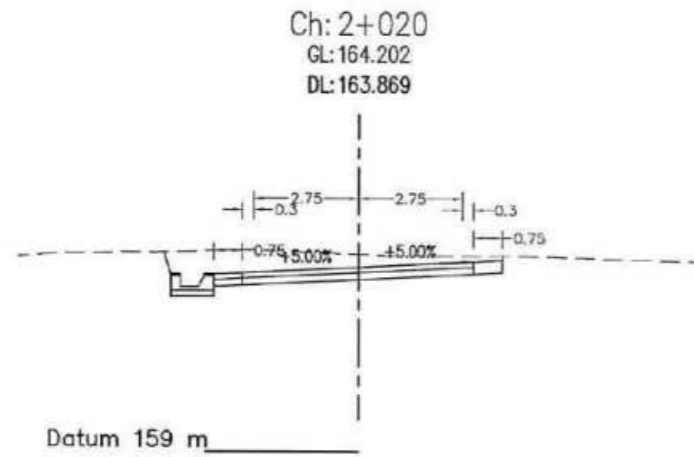
Jagadi - Dhansari -
Ganeshman Charnath Na. Pa.
(Province No - 2 Connecting)
Road, Sindhuli

DATE	REVISION	SIGNATURE	DESIGNED BY :	DRAWN BY :	CHECKED BY :	APPROVED BY :



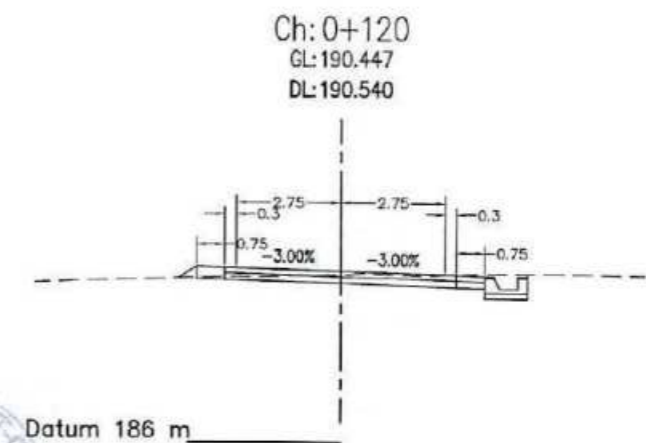
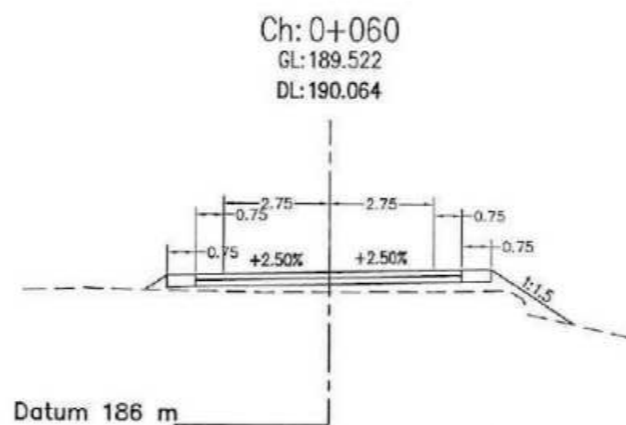
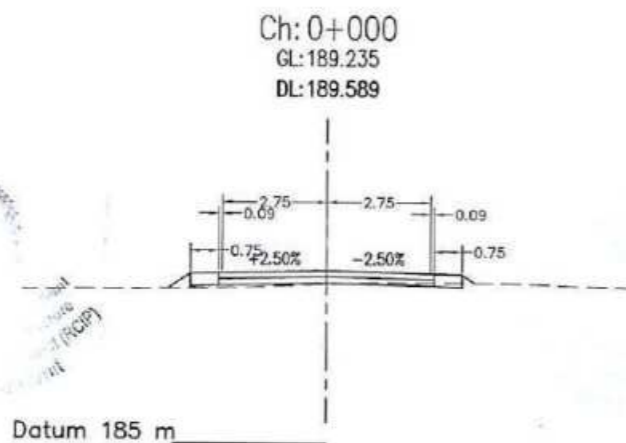
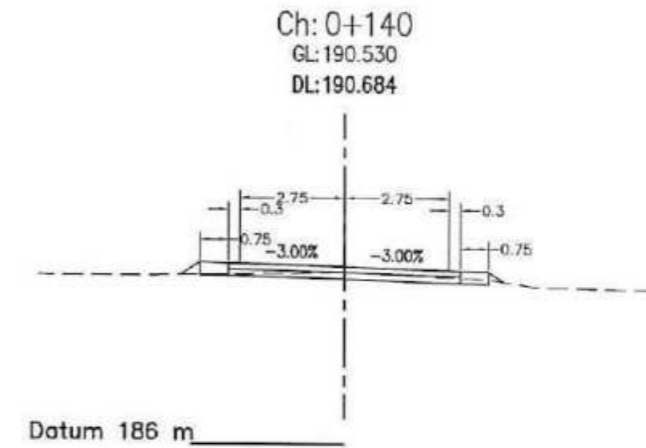
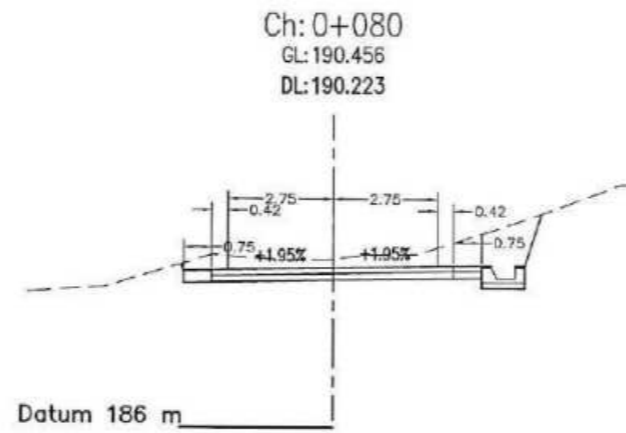
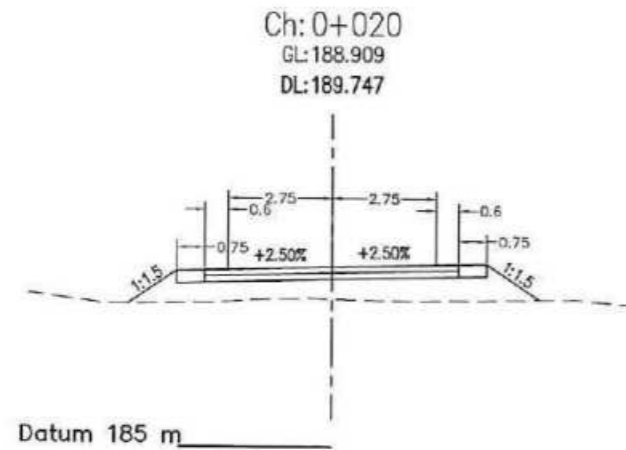
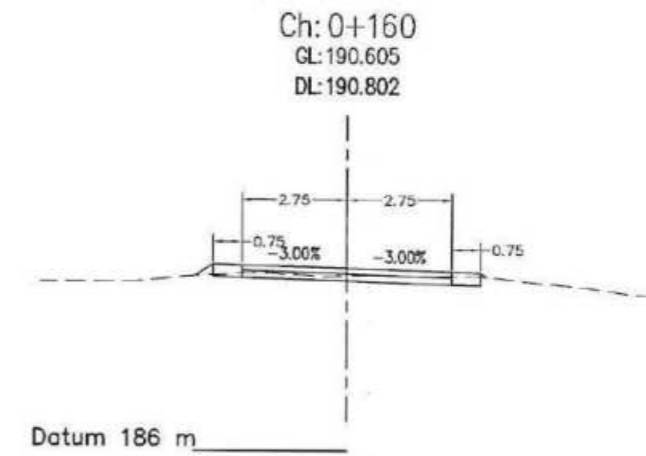
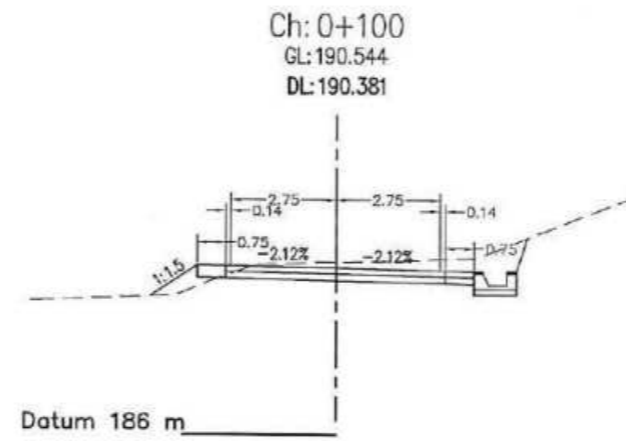
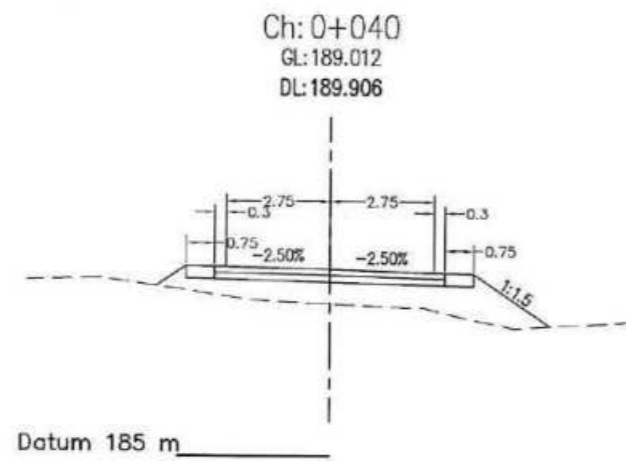
Cross-Section
1+800-1+960

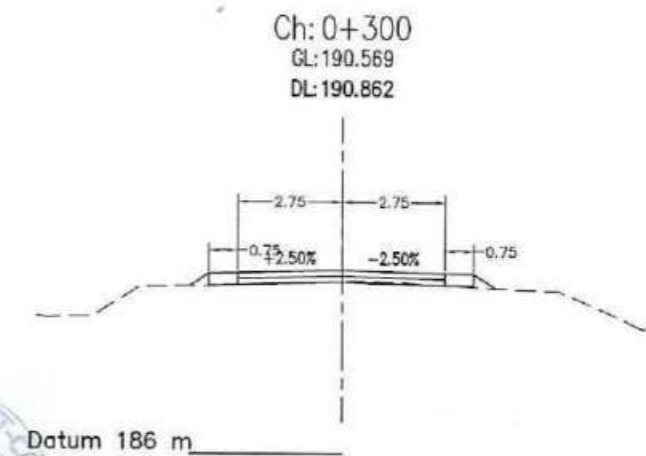
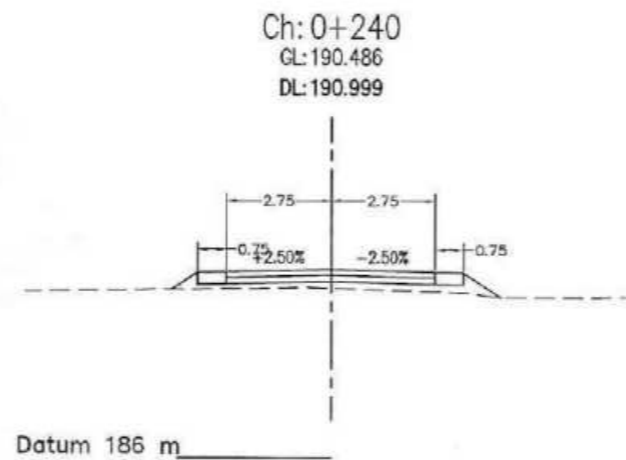
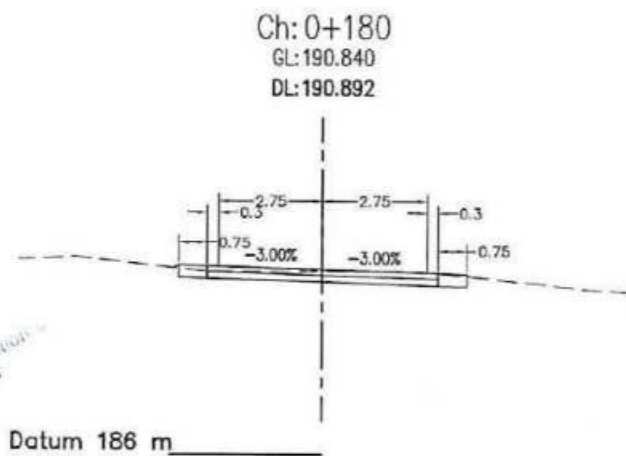
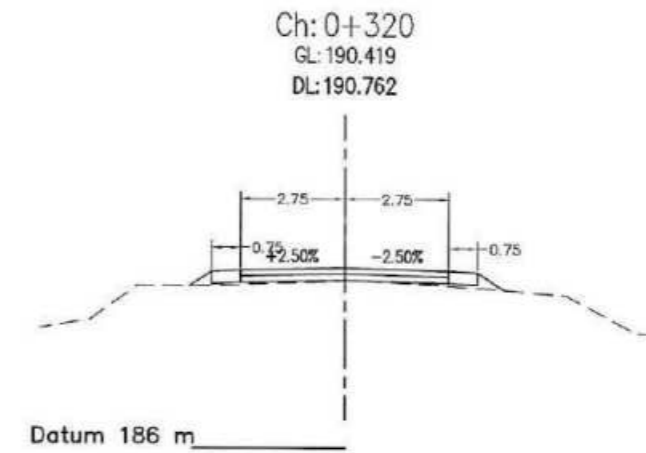
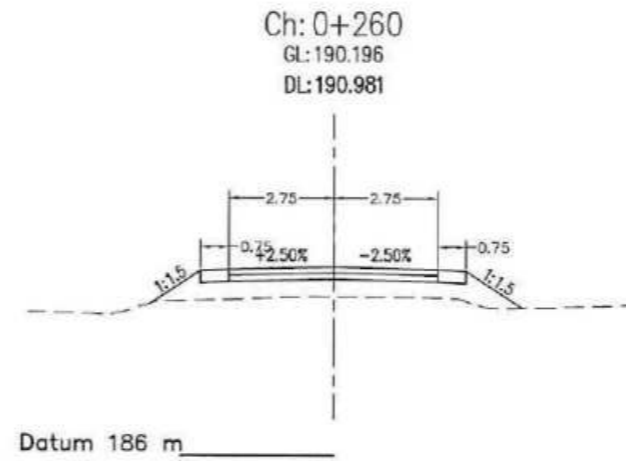
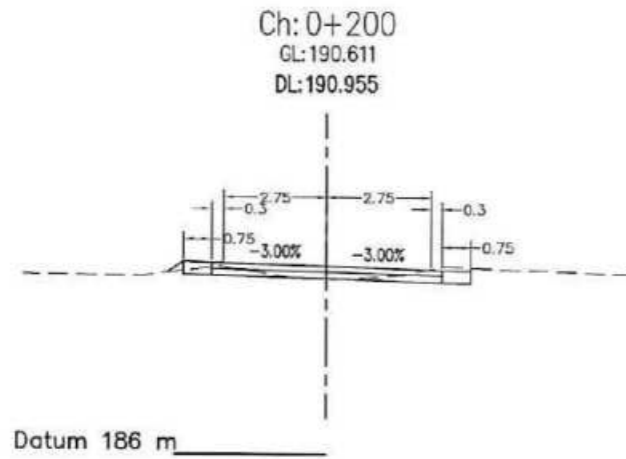
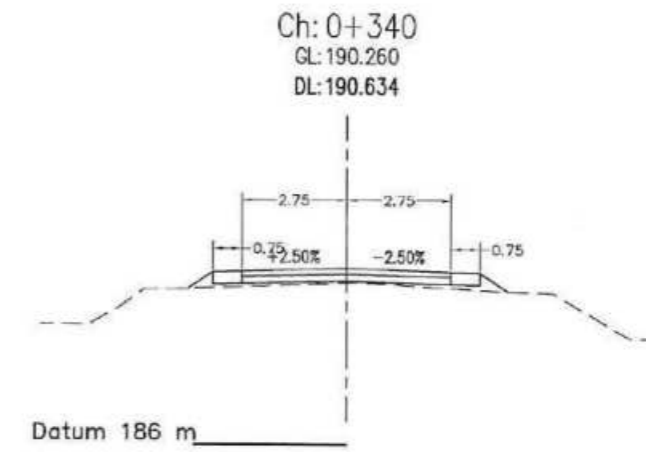
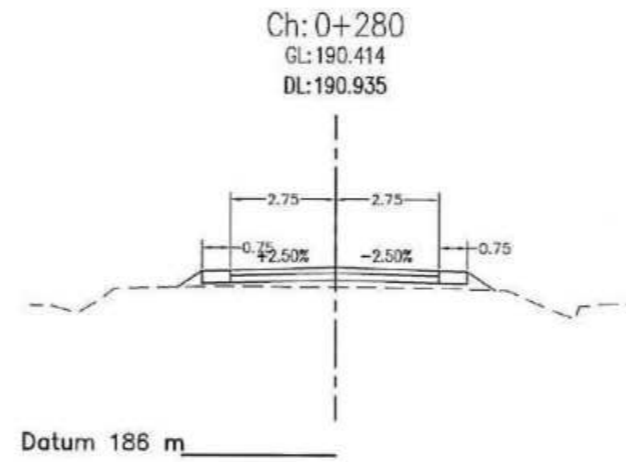
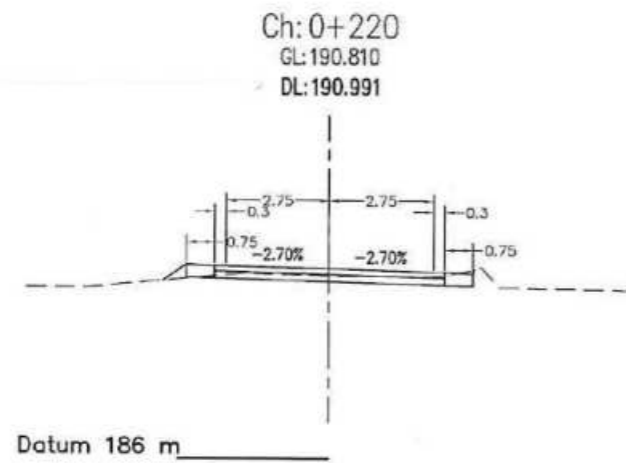
DATE:	
DRG NO:	CS-
SHEET NO:	11



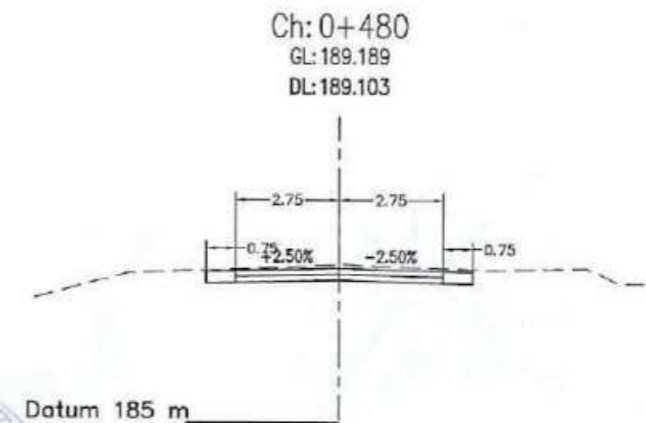
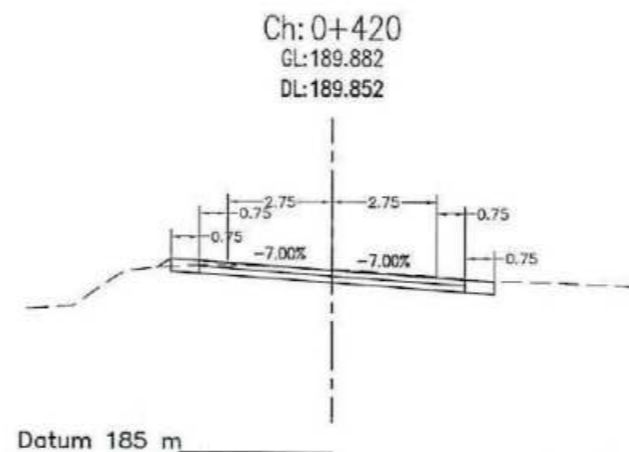
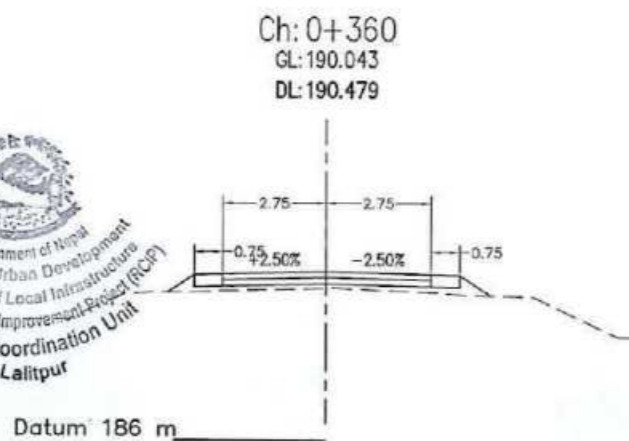
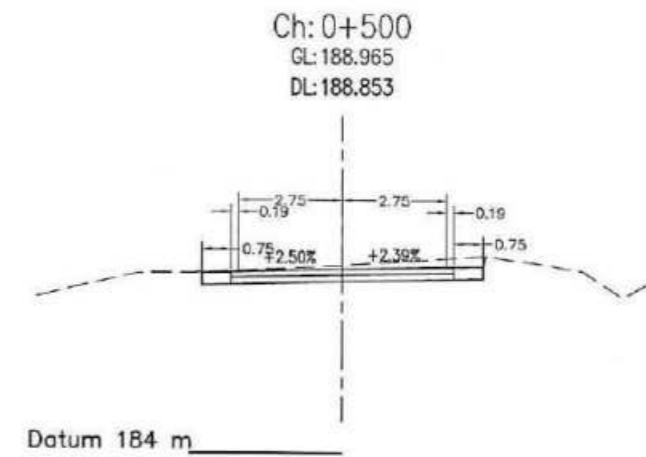
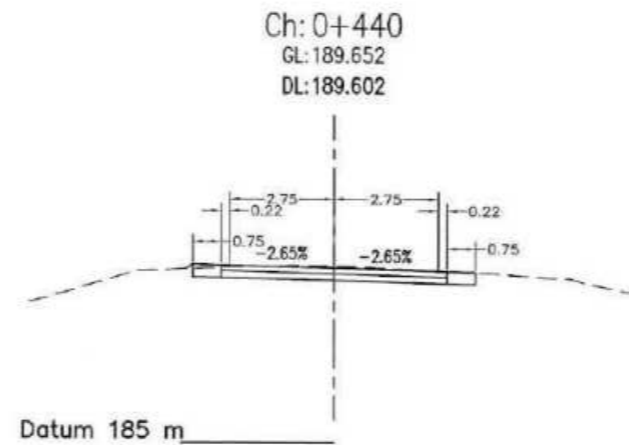
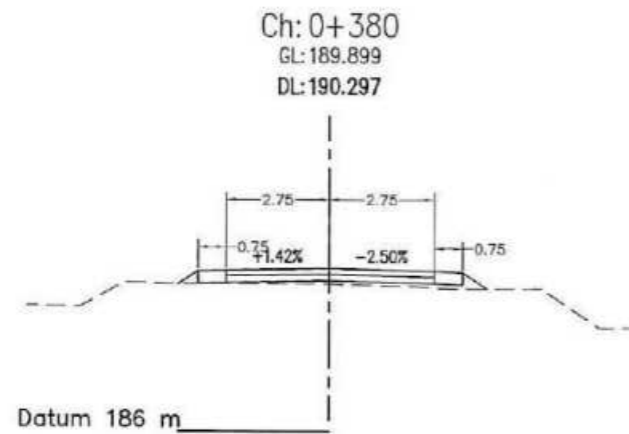
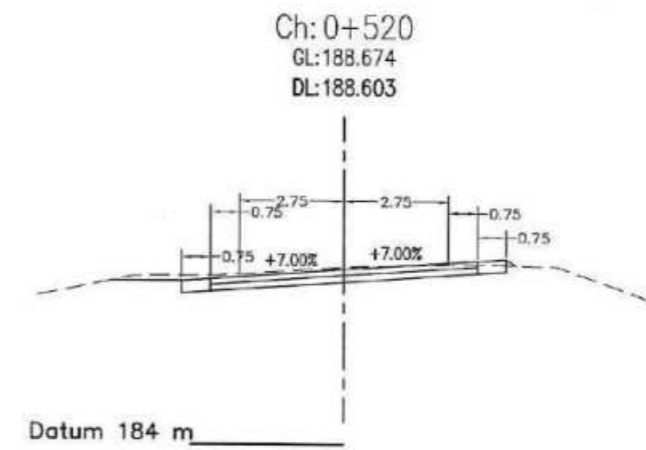
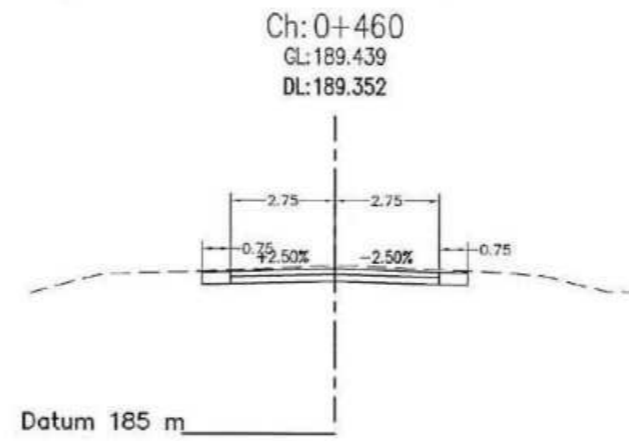
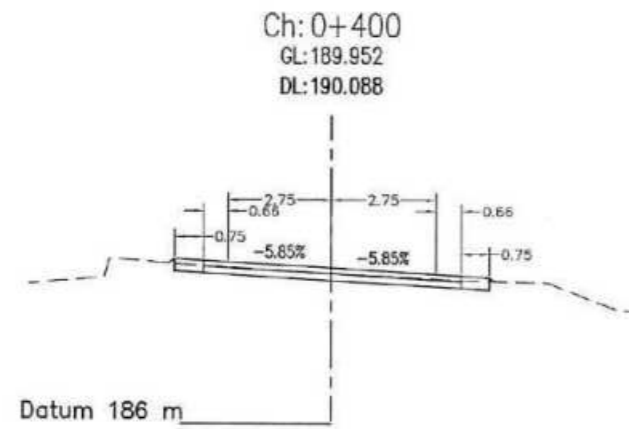
CROSS SECTION : Alignment To Kamala Bridge







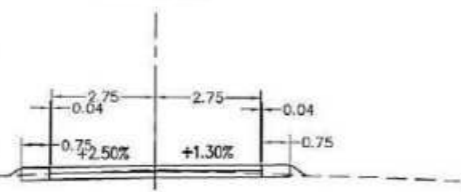
<p>Government of Nepal Ministry of Federal Affairs and General Administration Department of Local Infrastructure (DoLI) Rural Connectivity Improvement Project (RCIP) Project Coordination Unit (PCU) Pulchowk, Lalitpur</p>	<p>Consultant: Joint Venture of AVIYAAN - SOILTEST - CARD 254 Ekata Marg, New Baneshwor, Kathmandu-34, Nepal Phone: 977-1-4104307 Email: info@aviyaan.com</p>	<p>Jagadi - Dhansari - Ganeshman Chamath Na. Pa. (Province No - 2 Connecting) Road, Sindhuli</p>	DATE	REVISION	SIGNATURE	DESIGNED BY :	<p>SCALE 1:200 </p>	<p>Cross-Section 0+180-0+340</p>	DATE:
						DRAWN BY :			DRG NO : CS
						CHECKED BY :			SHEET NO :
						APPROVED BY :			2



<p>Government of Nepal Ministry of Federal Affairs and General Administration Department of Local Infrastructure (DoLI) Rural Connectivity Improvement Project (RCIP) Project Coordination Unit (PCU) Pulchowk, Lalitpur</p>	<p>Consultant: Joint Venture of AVIYAAN - SOILTEST - CARD 254 Ekata Marg, New Baneshwor, Kathmandu-34, Nepal Phone: 977-1-4104307 Email: info@aviyaan.com</p>	<p>Jagadi - Dhansari - Ganeshman Charnath Na. Pa. (Province No - 2 Connecting) Road, Sindhuli</p>	DATE	REVISION	SIGNATURE	DESIGNED BY :	<p>SCALE 1:200 </p>	Cross-Section	DATE:
						DRAWN BY :		DRG NO : CS	
						CHECKED BY :		SHEET NO :	
						APPROVED BY :		3	



Ch: 0+540
 GL: 188.308
 DL: 188.415



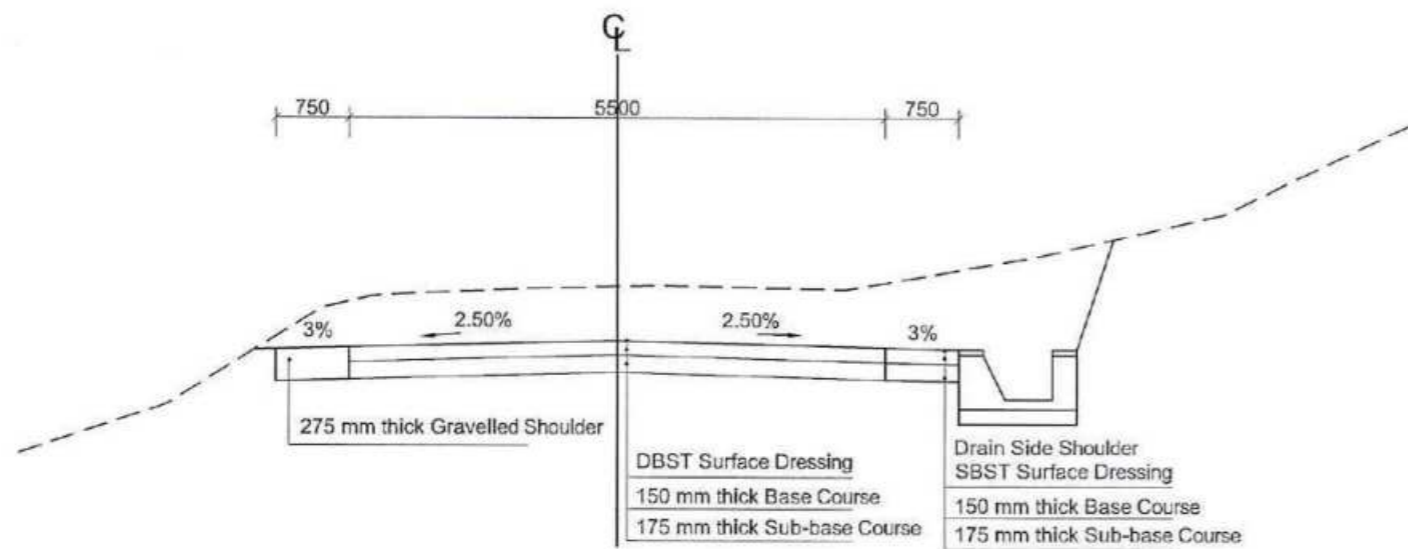
Datum 184 m



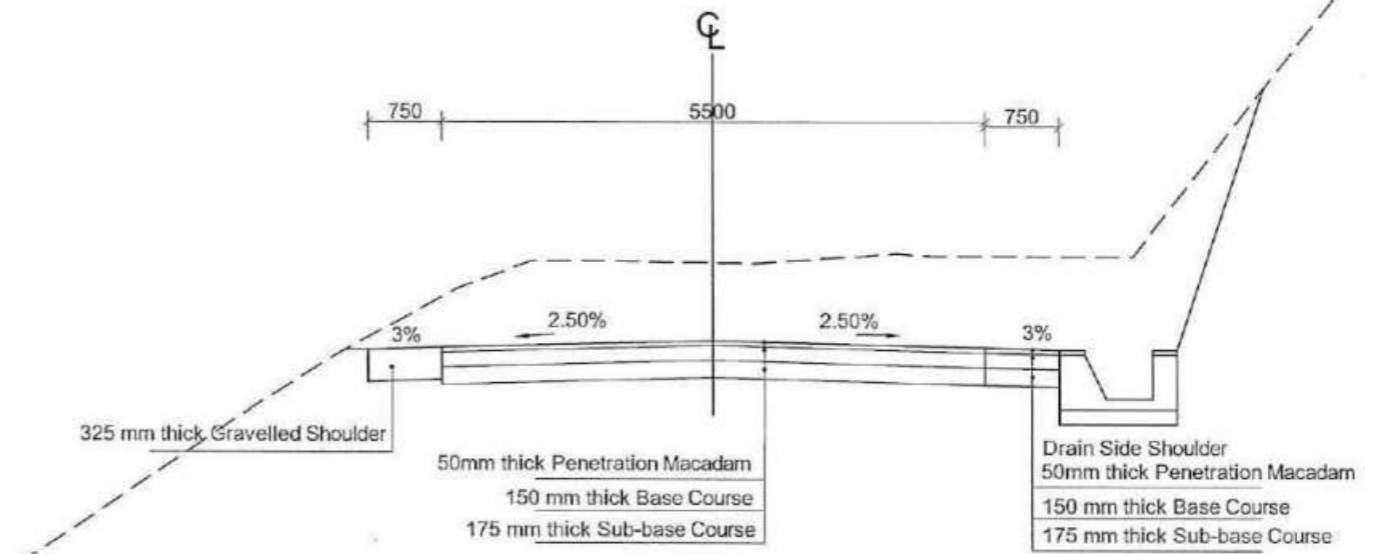
Government of Nepal Ministry of Federal Affairs and General Administration Department of Local Infrastructure (DoLI) Rural Connectivity Improvement Project (RCIP) Project Coordination Unit (PCU) Panchowk, Lalitpur	Consultant: Joint Venture of AVIYAAN - SOILTEST - CARD 254 Ekata Marg, New Baneshwor, Kathmandu-34, Nepal Phone: 977-1-4104307 Email: info@aviyaan.com	Jagadi - Dhansari - Ganeshman Chamath Na. Pa. (Province No - 2 Connecting) Road, Sindhuli	DATE	REVISION	SIGNATURE	DESIGNED BY : <i>[Signature]</i>	SCALE 	Cross-Section	DATE:
						DRAWN BY : <i>[Signature]</i>		DRG NO : CS	
						CHECKED BY : <i>[Signature]</i>		SHEET NO :	
						APPROVED BY :		4	

TYPICAL DRAWINGS

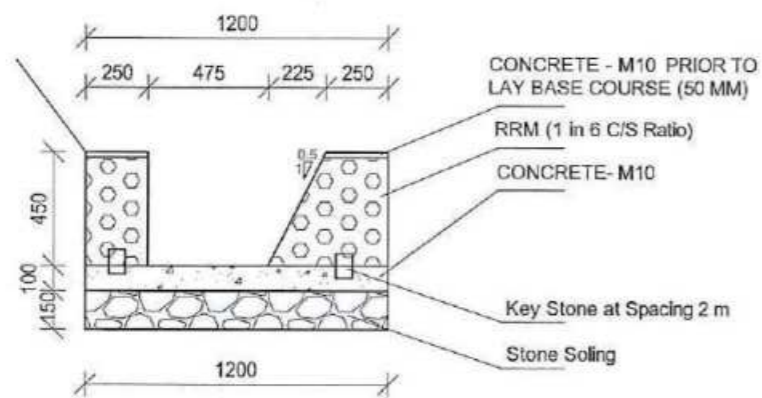




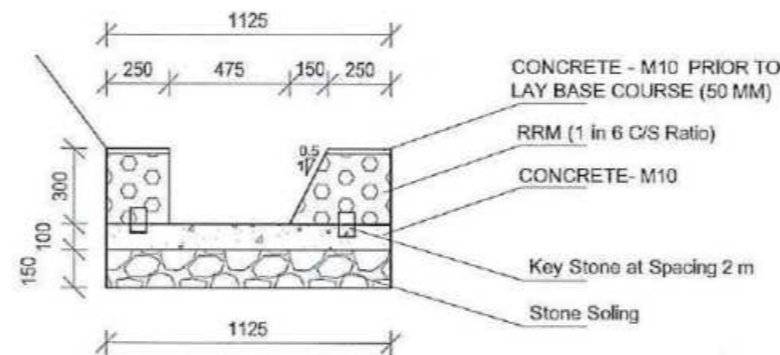
TYPICAL ROAD CROSS SECTION
Scale 1:75



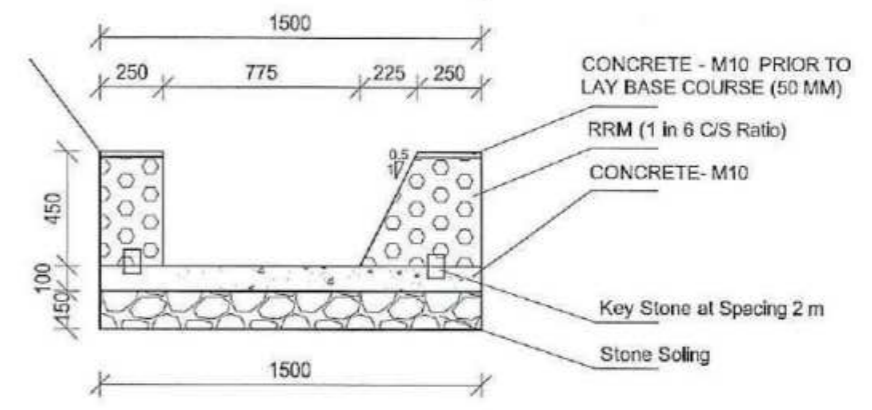
TYPICAL ROAD CROSS SECTION
Scale 1:75



SIDE DRAIN -D3 (DrainB)
Scale 1:30



SIDE DRAIN -D1 (DrainA)
Scale 1:30



SIDE DRAIN -D3 (DrainC)
Scale 1:30



Government of Nepal
Ministry of Federal Affairs and General Administration
Department of Local Infrastructure (DoLI)
Rural Connectivity Improvement Project (RCIP)
Project Coordination Unit (PCU)
Pulchowk, Lalitpur

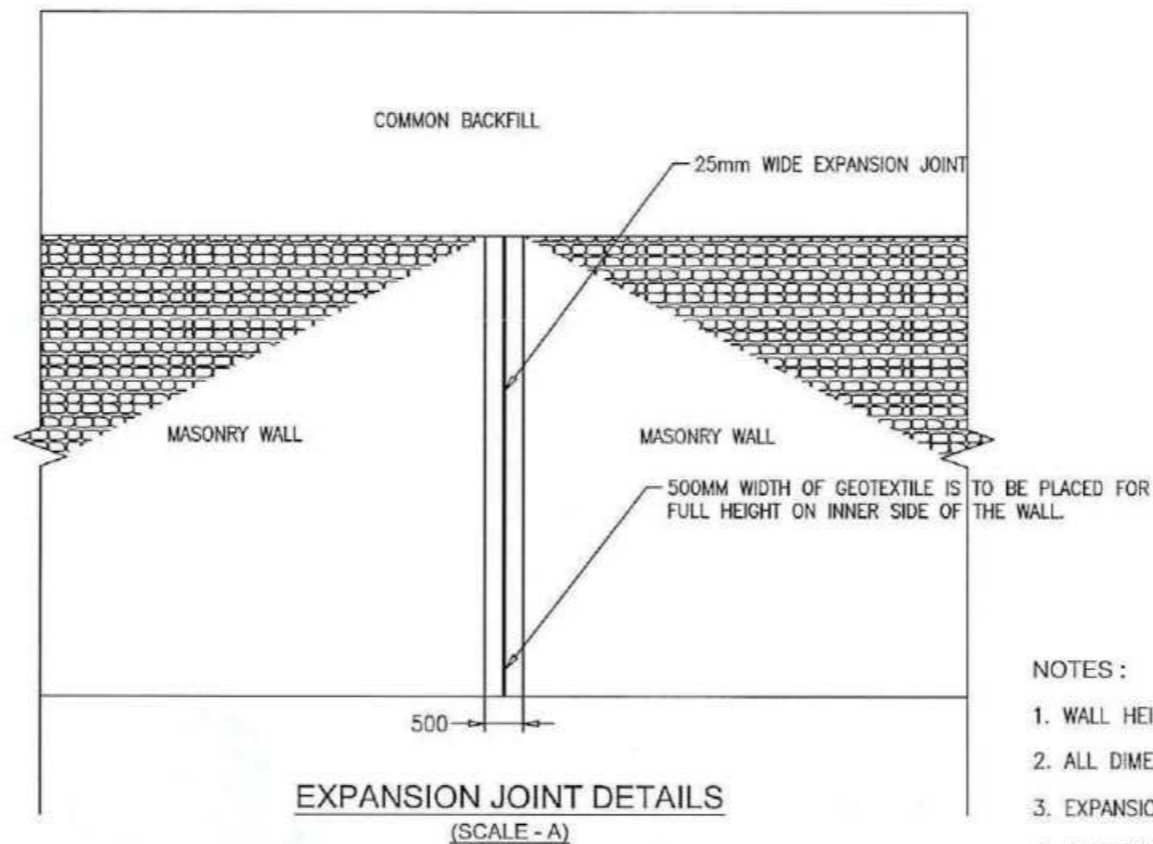
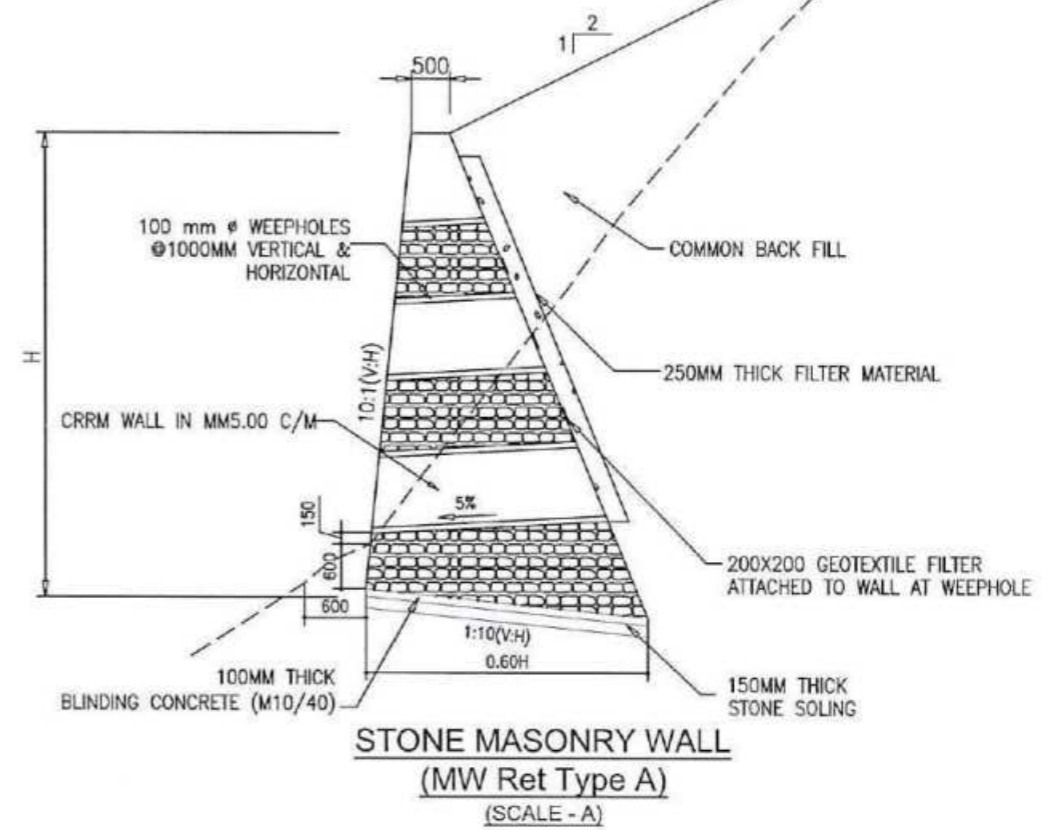
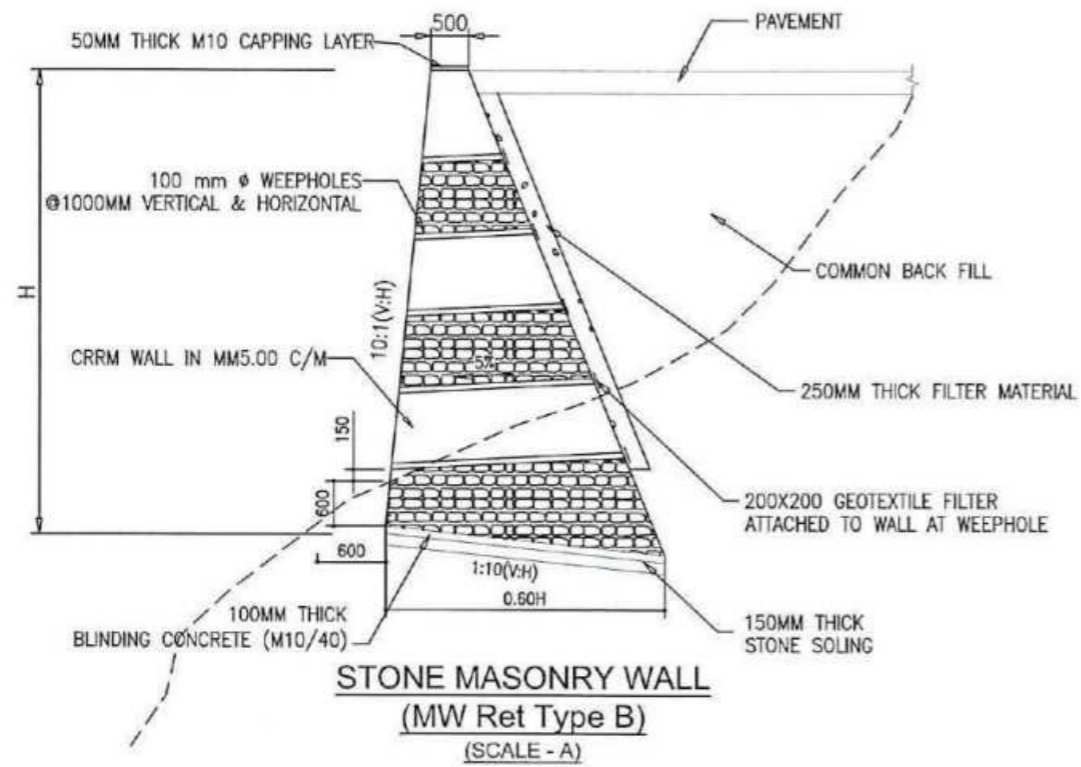
Consultant:
Joint Venture of
AVIYAAN - SOILTEST - CARD
254 Ekata Marg, New Baneshwor,
Katimandu-34, Nepal
Phone: 977-1-4104307
Email: info@aviyaan.com

Jagadi - Dhansari -
Ganeshman Charnath Na. Pa.
(Province No - 2 Connecting)
Road

DATE	REVISION	SIGNATURE	DESIGNED BY :	SCALE
			As Shown	076
			DRAWN BY :	
			CHECKED BY :	
			APPROVED BY :	



TYPICAL DRAWING	DATE:
Flexible Pavement and Drain	DRG NO : PD -
	SHEET NO : 1

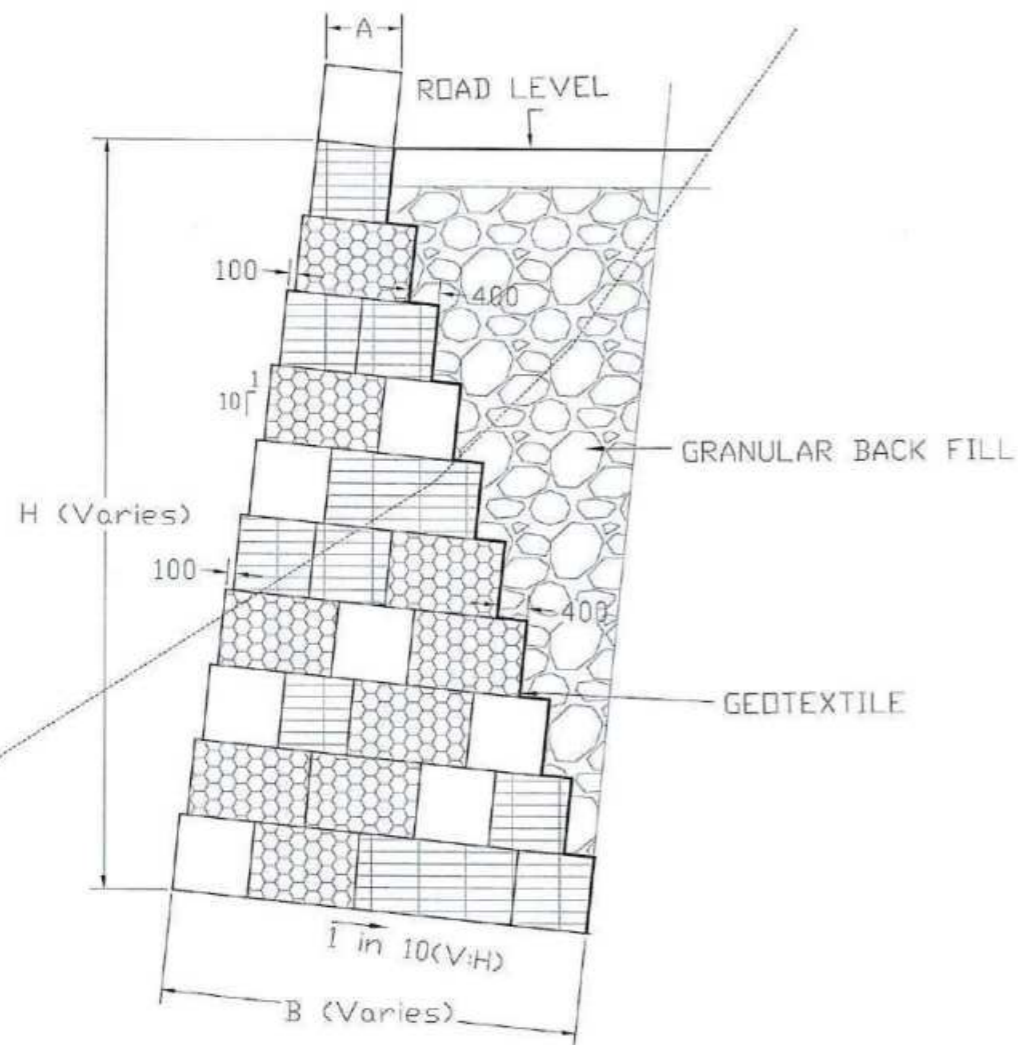


NOTES :

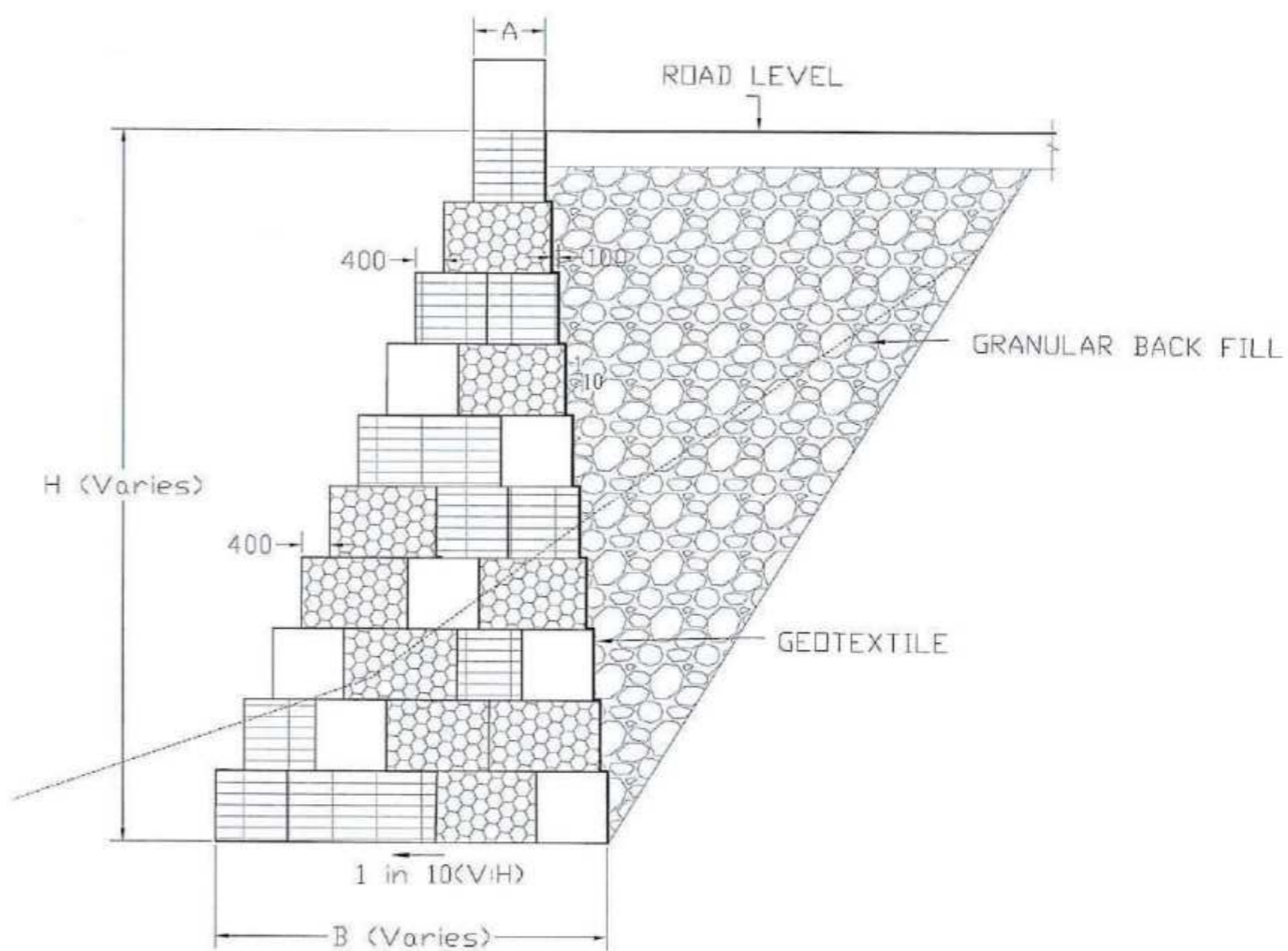
1. WALL HEIGHT IS TO BE MODIFIED AS PER ACTUAL SITE CONDITION OR AS DIRECTED BY THE ENGINEER.
2. ALL DIMENSIONS ARE IN MM EXCEPT OTHERWISE MENTIONED.
3. EXPANSION JOINT IS TO BE PROVIDED MAXIMUM AT A DISTANCE OF 10.0 M C/C OR AS DIRECTED BY THE ENGINEER.
4. SAFETY BLOCKS TO BE PROVIDED WHERE THE DOWNFALL IS MORE THAN 3.0 M.



<p>Government of Nepal Ministry of Federal Affairs and General Administration Department of Local Infrastructure (DoLI) Rural Connectivity Improvement Project (RCIP) Project Coordination Unit (PCU) Pulchowk, Lalitpur</p>	<p>Consultant: Joint Venture of AVIYAAN - SOILTEST - CARD 254 Ekata Marg, New Baneshwor, Kathmandu-34, Nepal Phone: 977-1-4104307 Email: info@aviyaan.com</p>	<p>Jagadi - Dhansari - Ganeshman Charnath Na. Pa. (Province No - 2 Connecting) Road</p>	DATE	REVISION	SIGNATURE	DESIGNED BY :	SCALE 1076 As Shown	TYPICAL DRAWINGS	DATE:
						DRAWN BY :			DRG NO : MW
					CHECKED BY :			Standard Drawing of Masonry Wall	SHEET NO : 1
					APPROVED BY :				



GRAVITY GABION WALL (Back Batter)



GRAVITY GABION WALL (Front Batter)

Detail for Semi Gravity Gabion walls

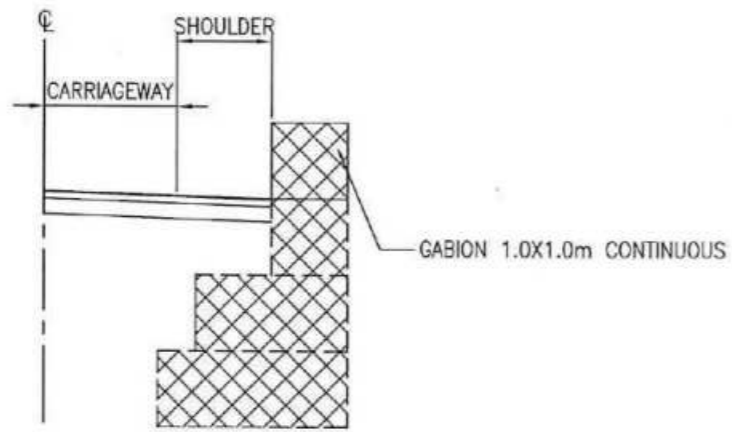
BASE WIDTHS AND TYPICAL GROUND PRESSURES (T/m ²)								
Wall Height (m)		2	3	4	6	8	10	12
Front Batter	Base Width,m	1.5	2.0	2.5	3.5	4.5	5.5	6.5
	Ground pressure (T/m ²)	50	70	90	120	150	190	230
Back Batter	Base Width,m	1.5	2.0	2.55	3.5	4.5	5.5	6.5
	Ground pressure (T/m ²)	70	110	150	220	290	360	420

NOTES:

1. All dimensions are in mm except otherwise mentioned.
2. For wall height more than 6.0 m, and backfill slope angle greater than 20°, detailed design with soil investigation is to be done or as directed by the Engineer.
3. If space is available, slopping outside is preferred for valley side of the road.

WORK QUANTITIES (Per Linear Metre)

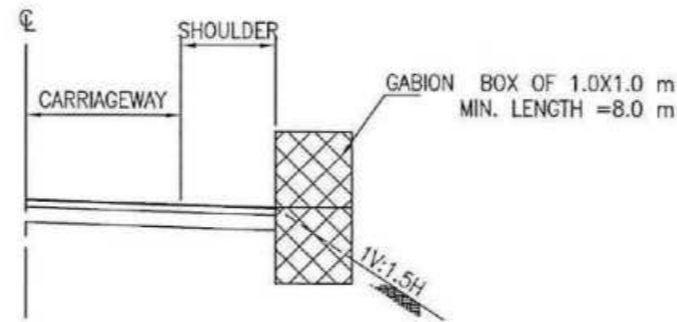
Item No	Description	UNIT	QUANTITY
	Gabion Box	m ³	1.00



GABION BARRIER FOR GABION WALL (HEIGHT>3.0 m)

WORK QUANTITIES (Per Linear Metre)

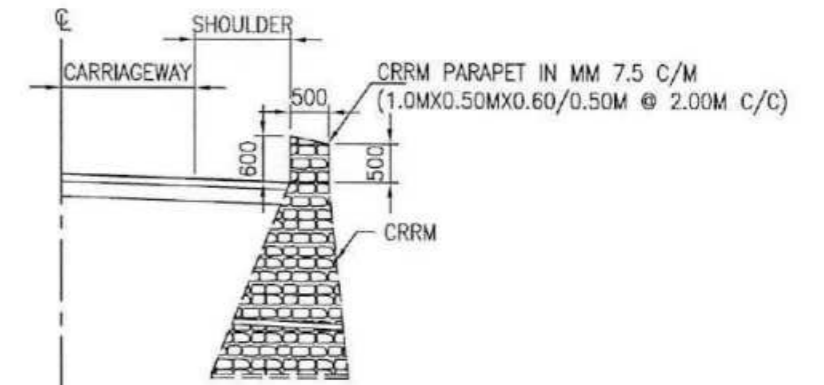
Item No	Description	UNIT	QUANTITY
	Earth Work in Excavation	m ³	0.67
	Gabion Box	m ³	2.00



GABION BARRIER FOR EMBANKMENT (HEIGHT>3.0 m)

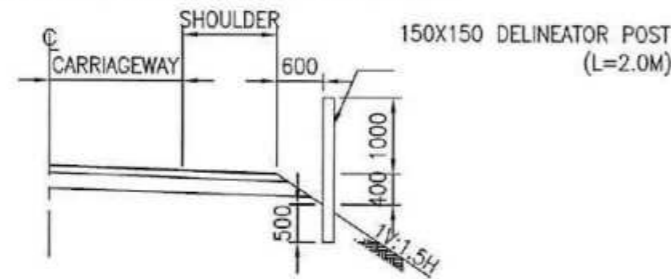
WORK QUANTITIES (Per Linear Metre)

Item No	Description	UNIT	QUANTITY
	CRRM IN 7.5 C/M	m ³	0.14

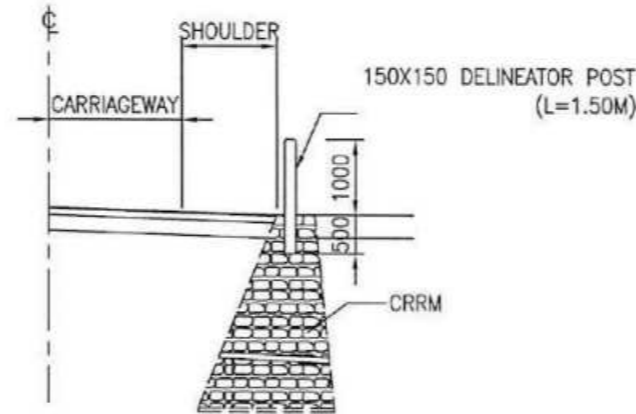


CRRM PARAPET FOR CRRM WALL (HEIGHT>3.0 m)

NOTE#: DELINEATORS ARE TO BE ERRECTED 600 MM FROM THE ROAD EDGE.



DELINEATOR FOR EMBANKMENT (HEIGHT<=3.0 m)



DELINEATOR FOR MASONRY WALL (HEIGHT<=3.0 m)

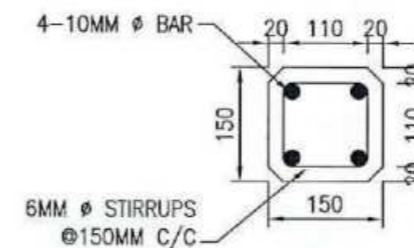
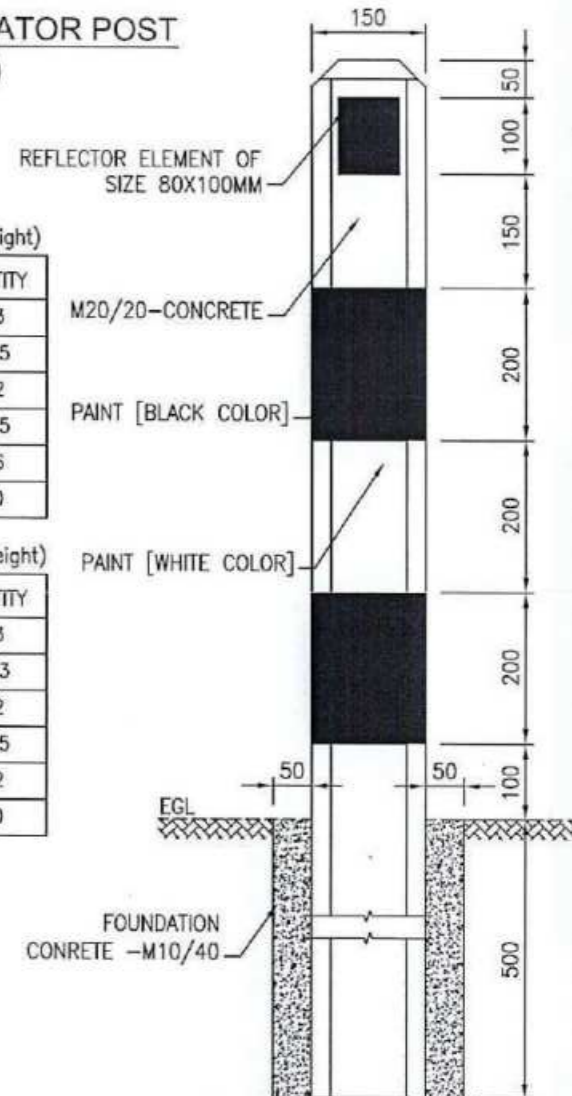
DETAILING OF DELINEATOR POST (SCALE - 1:10)

WORK QUANTITIES (For 2.0m Height)

ITEM NO	Description	UNIT	QUANTITY
	EARTH WORK EXACAVATION	m ³	0.03
	M20/20 - CONCRETE	m ³	0.045
	M10/40 - CONCRETE	m ³	0.02
	FORMWORK (F2)	m ²	0.945
	10MM Ø BAR	Kg.	4.96
	6MM Ø STIRRUPS	Kg.	1.50

WORK QUANTITIES (For 1.50m Height)

ITEM NO	Description	UNIT	QUANTITY
	EARTH WORK EXACAVATION	m ³	0.03
	M20/20 - CONCRETE	m ³	0.033
	M10/40 - CONCRETE	m ³	0.02
	FORMWORK (F2)	m ²	0.735
	10MM Ø BAR	Kg.	3.72
	6MM Ø STIRRUPS	Kg.	1.20

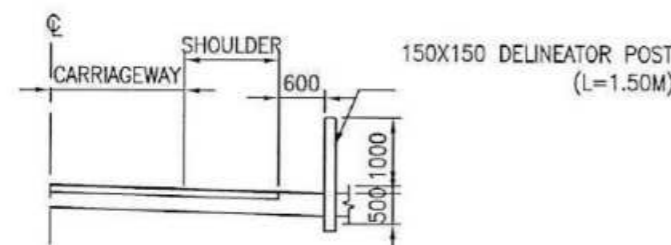


PLAN

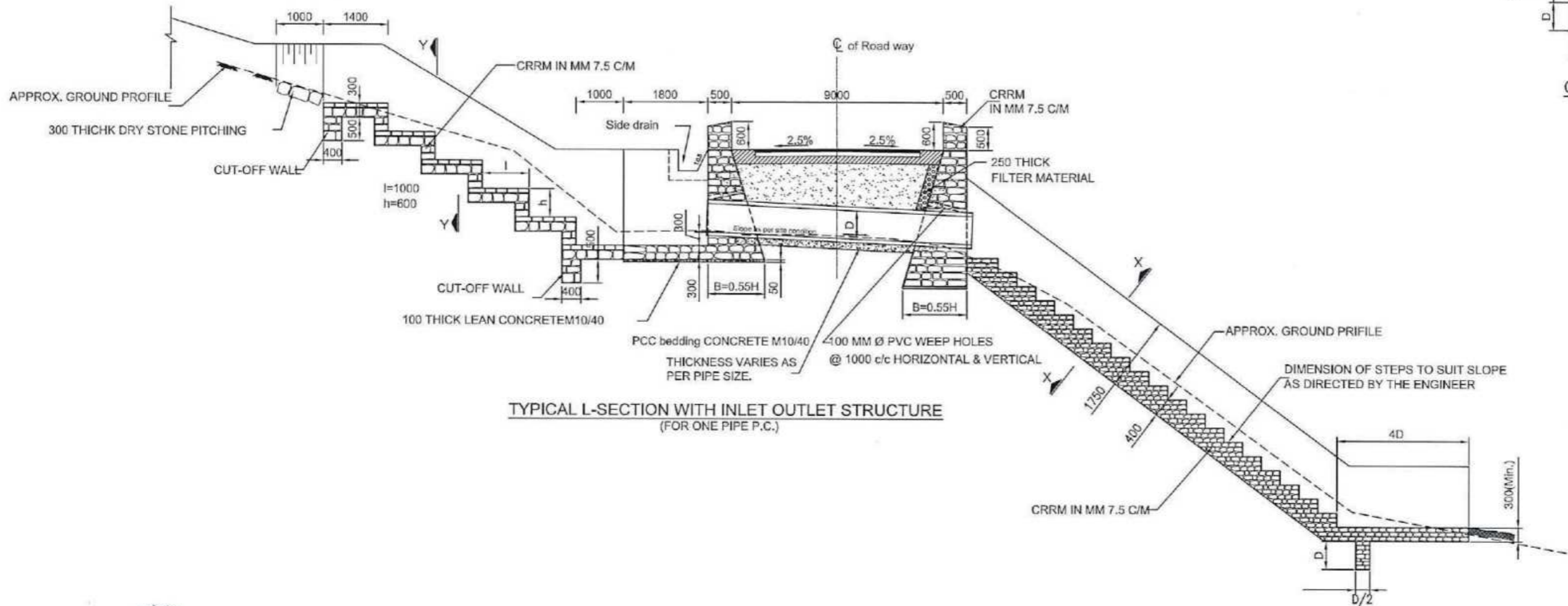
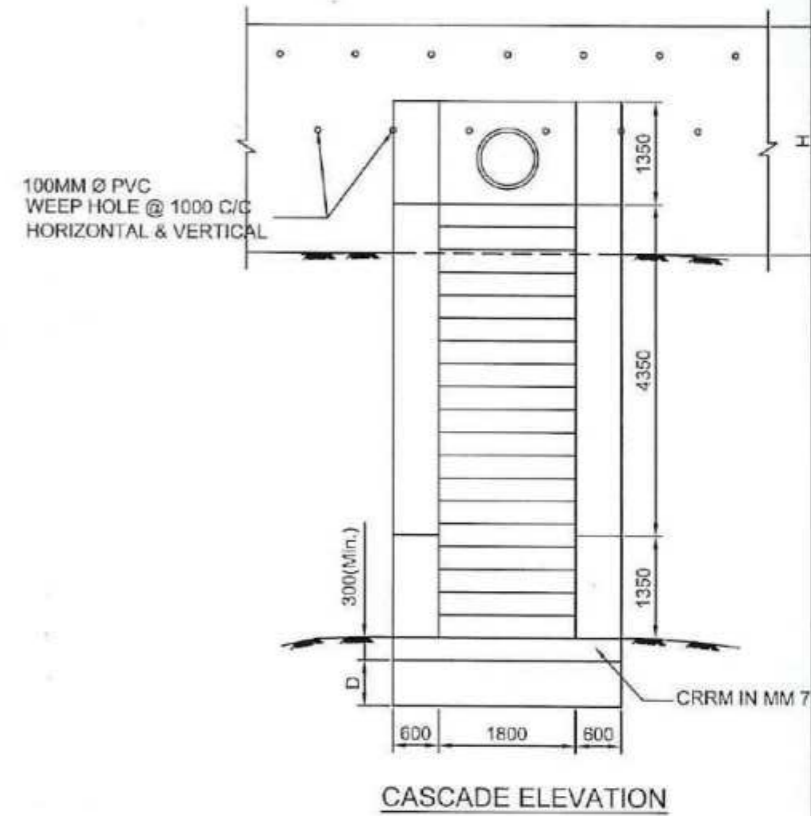
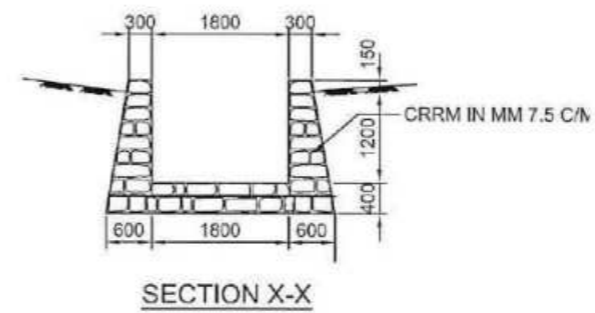
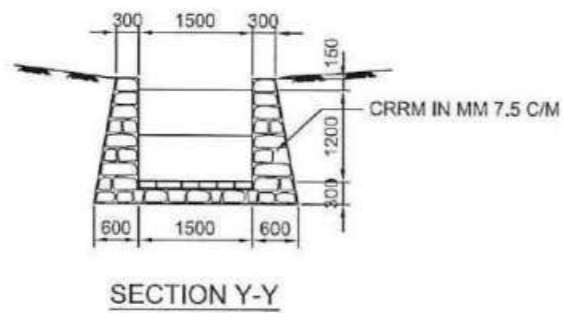
SECTIONAL ELEVATION

RECOMMENDED SPACING FOR DELINEATOR

RADIUS OF Horizontal Curve(M)	SPACING OF POST DELINEATOR(M)	PURPOSE OF DELINEATION(M)
30	6.0	Horizontal Curve
50	8.0	Horizontal Curve
100	12.0	Horizontal Curve
200	20.0	Horizontal Curve
300	25.0	Horizontal Curve
400	30.0	Horizontal Curve
500	35.0	Horizontal Curve
600	38.0	Other Purpose
700	42.0	Other Purpose
800	45.0	Other Purpose
900	48.0	Other Purpose
1000	50.0	Other Purpose
>1000 AND STRAIGHTS	70.0	Other Purpose



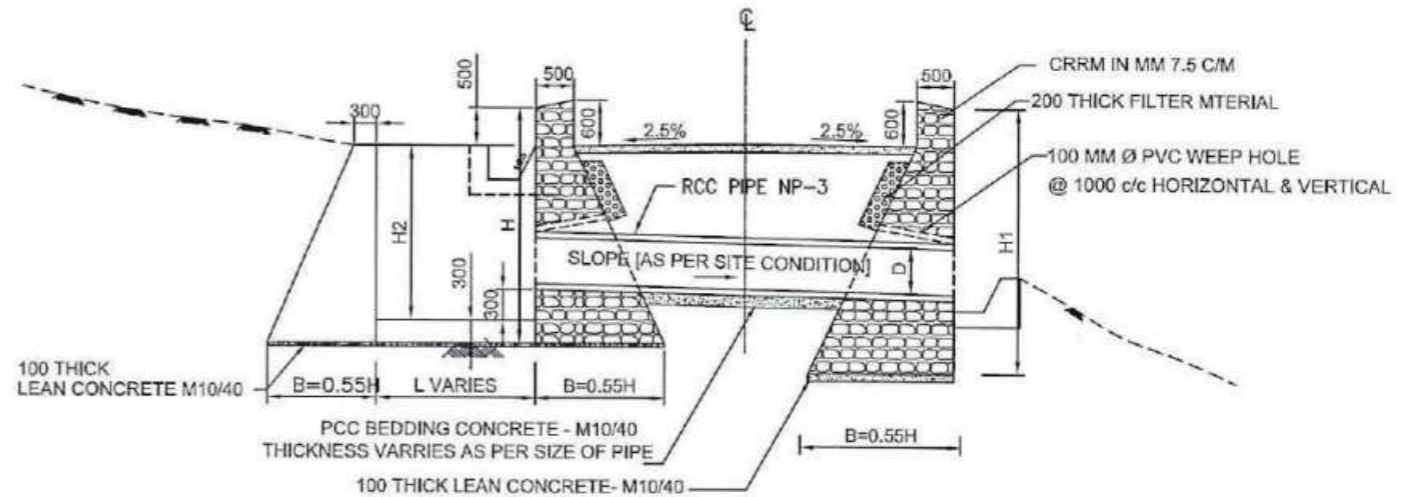
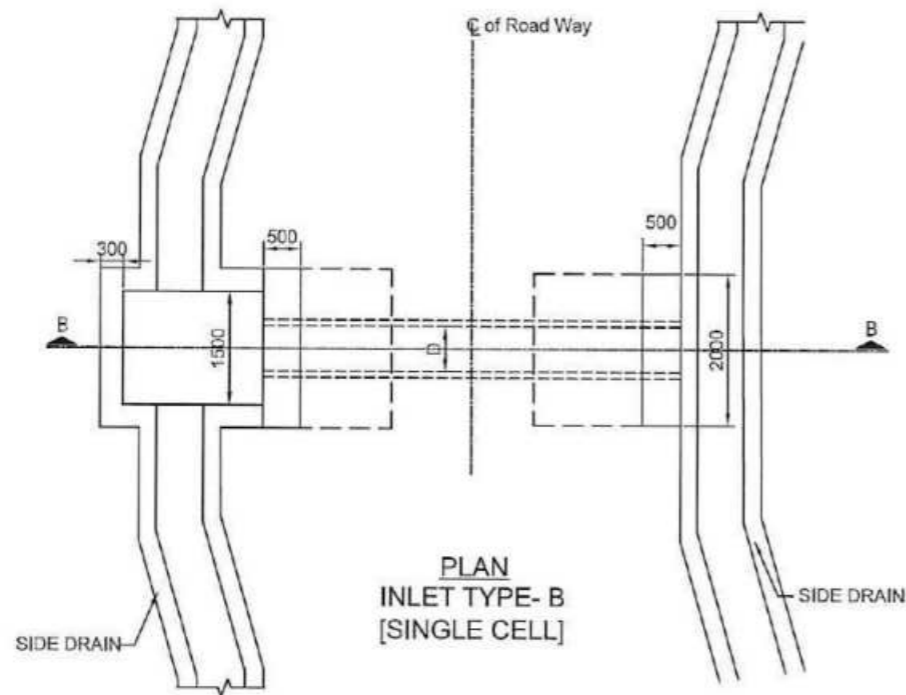
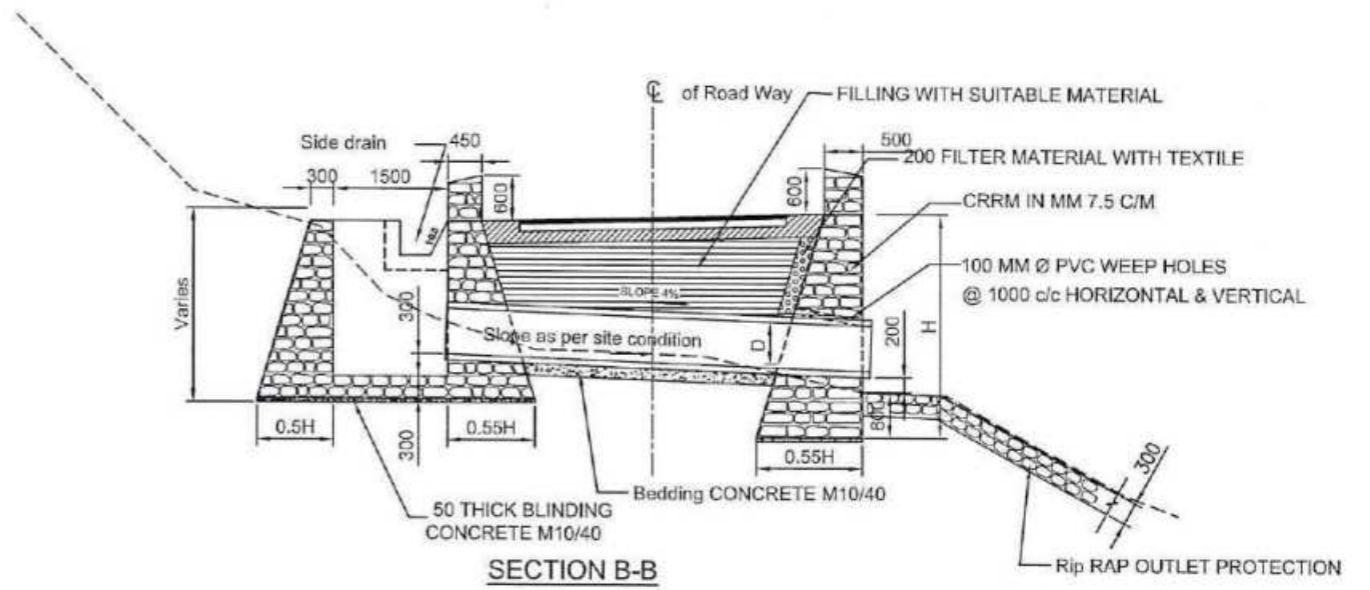
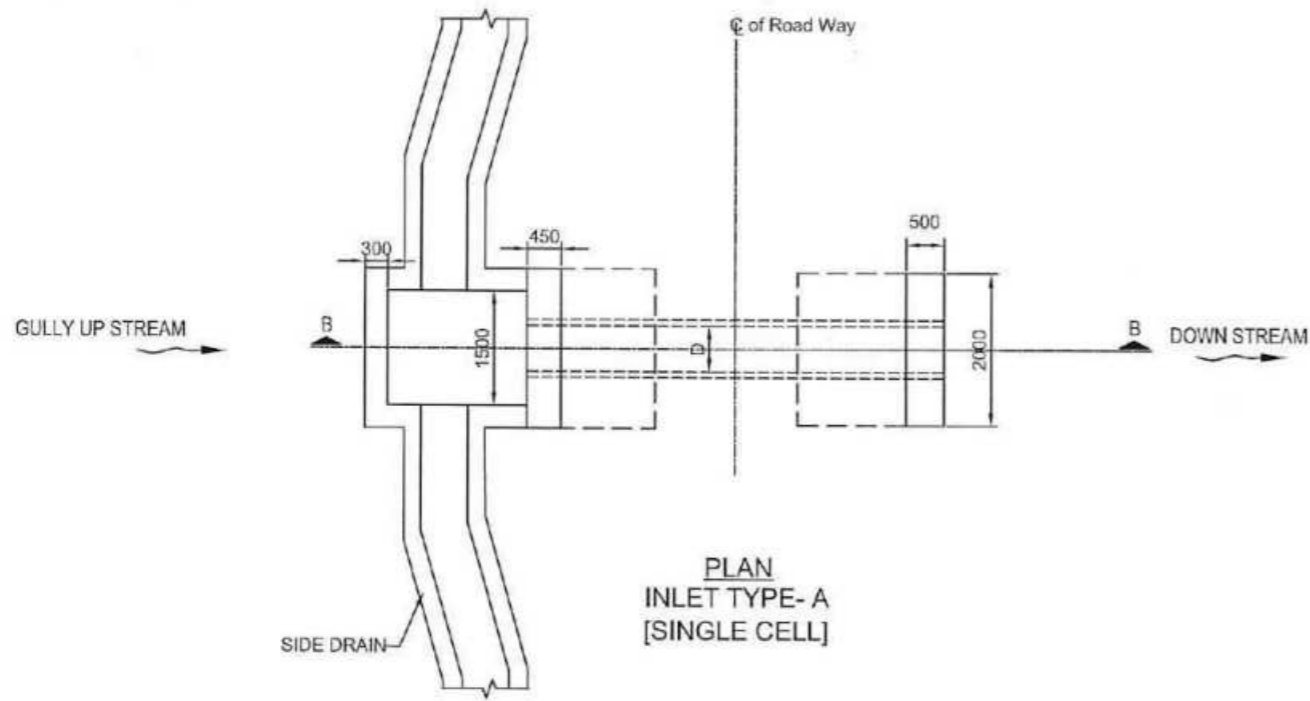
DELINEATOR FOR PLAIN AREA




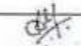
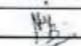

TYPICAL L-SECTION WITH INLET OUTLET STRUCTURE
(FOR ONE PIPE P.C.)

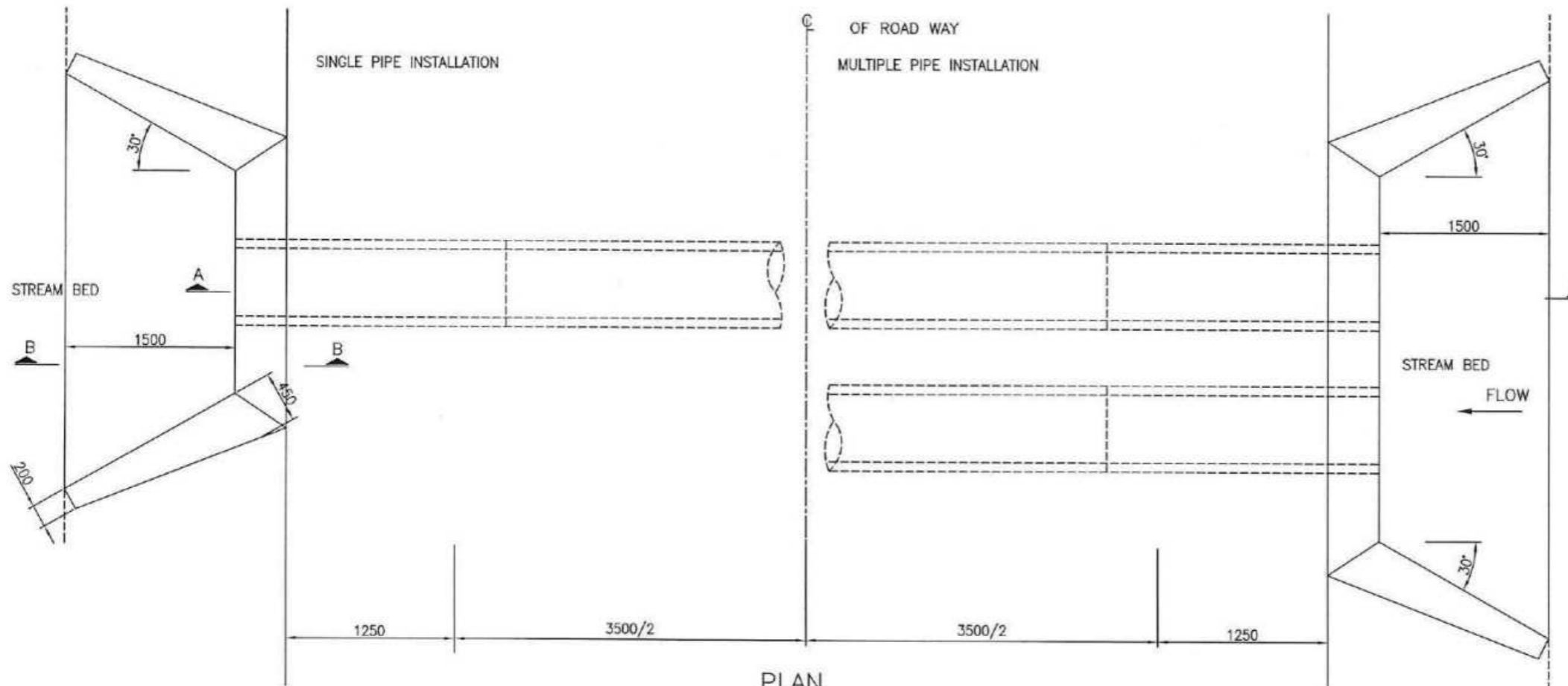
1. D=Inside diameter of pipe.
2. Sizes of various components of sections X-X and Y-Y depends on discharge at site.
3. Cascades are used for direct flow over short stretches of very steep erodible gully slope.
4. Height of structures H, H1 & H2 varies as per site condition.
5. All the dimensions are in millimetres unless otherwise mentioned.



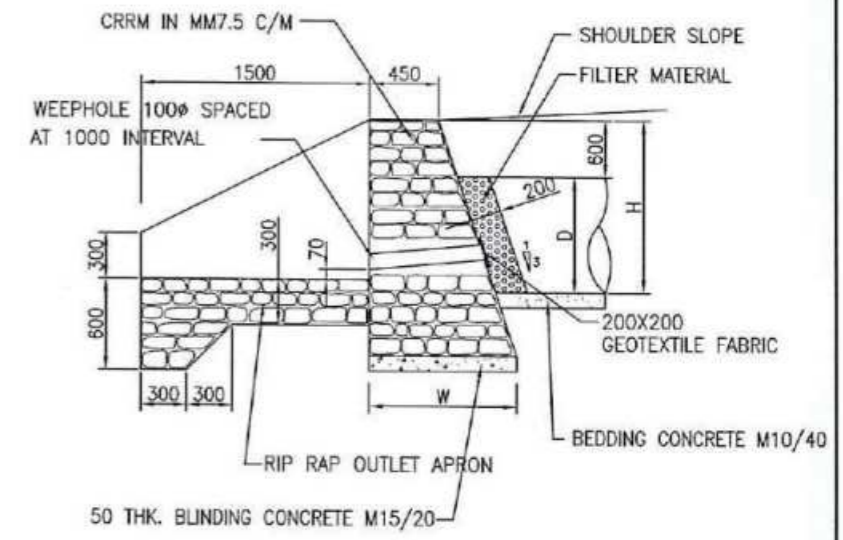


1. D=Inside diameter of pipe.
2. Sizes of various components of sections X-X and Y-Y depends on discharge at site.
3. Cascades are used for direct flow over short stretches of very steep erodible gully slope.
4. Height of structures H, H1 & H2 varies as per site condition.
5. All the dimensions are in millimetres unless otherwise mentioned.

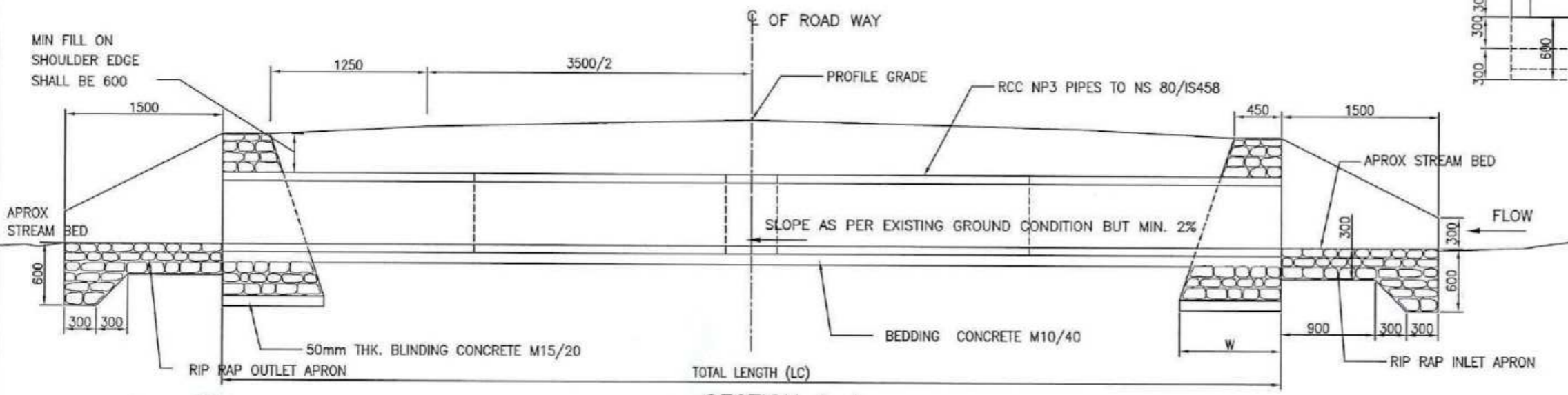
 Government of Nepal Ministry of Federal Affairs and General Administration Department of Local Infrastructure (DoLI) Rural Connectivity Improvement Project (RCIP) Project Coordination Unit (PCU) Pulchowk, Lalitpur	Consultant: Joint Venture of AVIYAAN - SOILTEST - CARD 254 Ekata Marg, New Baneshwor, Kathmandu-34, Nepal Phone: 977-1-4104307 Email: info@aviyaan.com	Jagadi - Dhansari - Ganeshman Charnath Na. Pa. (Province No - 2 Connecting) Road	DATE	REVISION	SIGNATURE	DESIGNED BY : 	SCALE 1/75 As Shown	TYPICAL DRAWING	DATE:
						DRAWN BY : 		CHECKED BY : 	Standard Drawing of Pipe Culvert
					APPROVED BY : 			SHEET NO : 2	



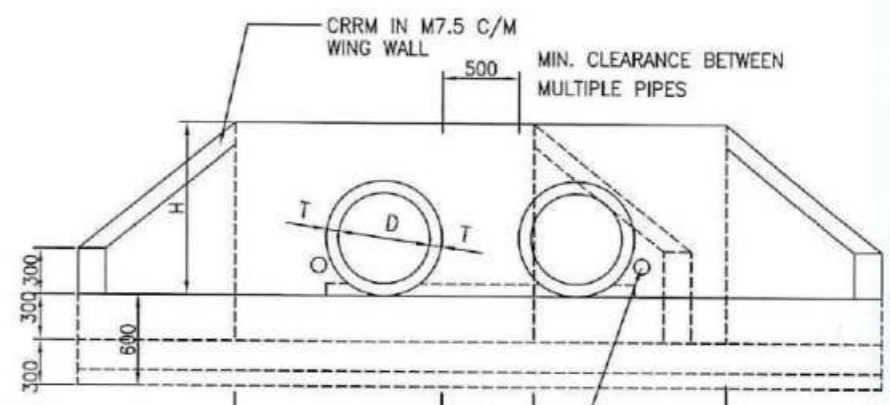
PLAN
SCALE B



SECTION B-B SHOWING END SECTION DETAILS
SCALE B



SECTION A-A
PIPE CULVERT INSTALLATION
SCALE B



ELEVATION
SCALE B

- NOTES:
1. ALL WORKS SHOULD BE IN ACCORDANCE WITH STANDARD SPECIFICATION AND SPECIAL PROVISION.
 2. THE SIZE OF THE CULVERT (Ø) SHALL BE AS PER THE DRAWINGS OR AS DIRECTED BY THE ENGINEER.
 3. DIMENSIONS OF THE WING WALL WILL VARY AS PER ACTUAL SITE CONDITION OR AS DIRECTED BY THE ENGINEER.

MASONRY END SECTION			
DIMENSIONS			
D	H	W	S
900	1300	890	900
1200	1630	890	1200

Government of Nepal
Ministry of Federal Affairs and General Administration
Department of Local Infrastructure (DoLI)
Rural Connectivity Improvement Project (RCIP)
Project Coordination Unit (PCU)
Pulchowk, Lalitpur

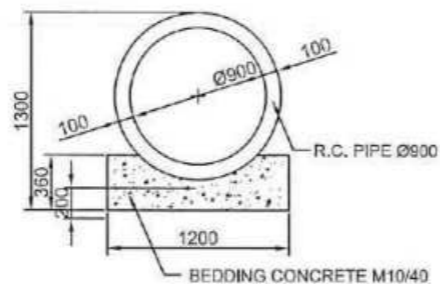
Consultant:
Joint Venture of
AVIYAAN - SOILTEST - CARD
254 Ekata Marg, New Baneshwor,
Kathmandu-34, Nepal
Phone: 977-1-4104307
Email: info@aviyaan.com

Jagadi - Dhansari -
Ganeshman Charnath Na. Pa.
(Province No - 2 Connecting)
Road

DATE	REVISION	SIGNATURE	DESIGNED BY :	SCALE
			G.H.	076
			DRAWN BY :	As Shown
			CHECKED BY :	
			APPROVED BY :	

SCALE
076
As Shown

TYPICAL DRAWING	DATE:
Standard Drawing of Pipe Culvert	DRG NO : PC
	SHEET NO : 3

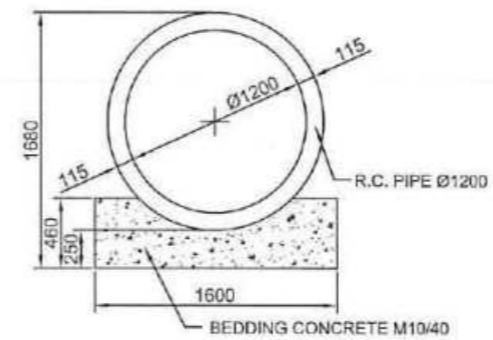


PIPE CULVERT (Ø900)

SCALE B

WORK QUANTITIES (PER 10.0m)

ITEM	UNIT	QUANTITY	REMARKS
R.C. PIPE (Ø900)	m	10.00	NP3
CONCRETE M10/40	m ³	3.45	
FORM WORK	m ²	7.20	
EXCAVATION	m ³	4.32	

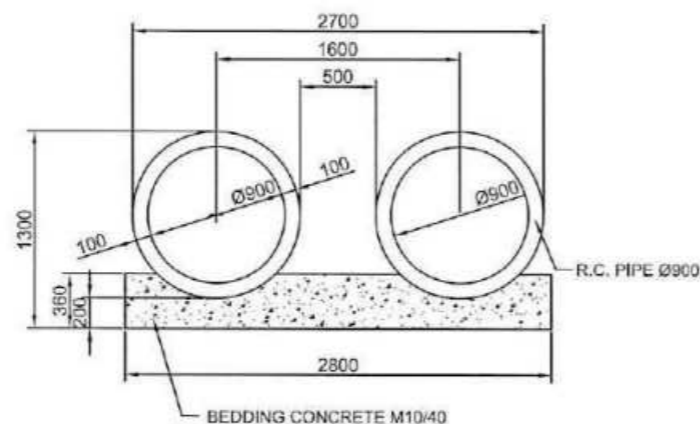


PIPE CULVERT (Ø1200)

SCALE B

WORK QUANTITIES (PER 10.0m)

ITEM	UNIT	QUANTITY	REMARKS
R.C. PIPE (Ø1200)	m	10.00	NP3
CONCRETE M10/40	m ³	5.89	
FORM WORK	m ²	9.20	
EXCAVATION	m ³	7.36	

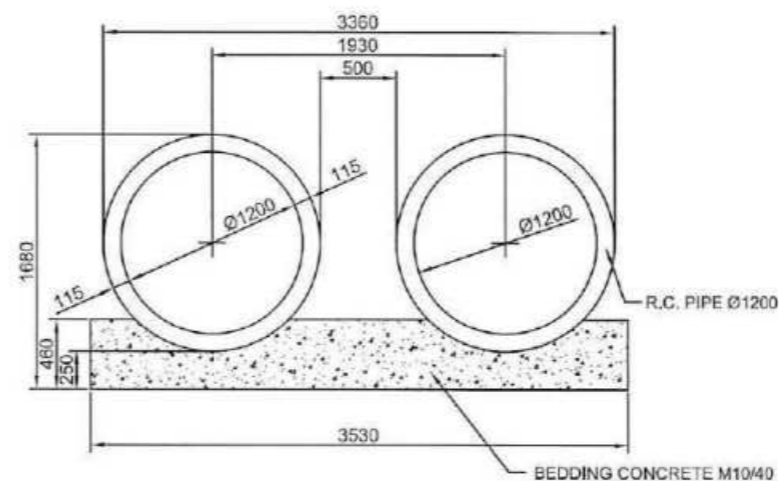


PIPE CULVERT (Ø900 X 2)

SCALE B

WORK QUANTITIES (PER 10.0m)

ITEM	UNIT	QUANTITY	REMARKS
R.C. PIPE (Ø900)	m	20.00	NP3
CONCRETE M10/40	m ³	8.36	
FORM WORK	m ²	7.20	
EXCAVATION	m ³	10.08	



PIPE CULVERT (Ø1200 X 2)

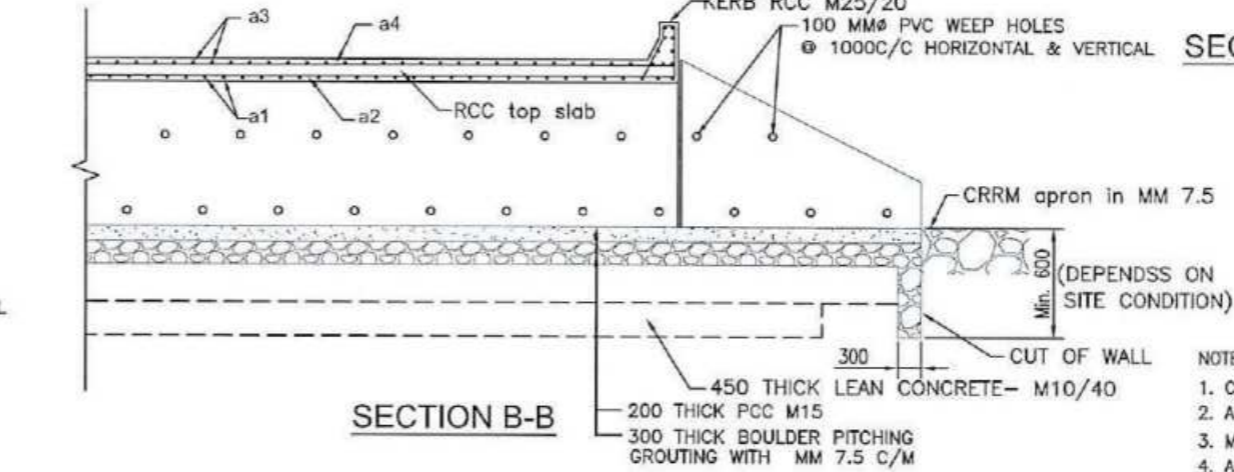
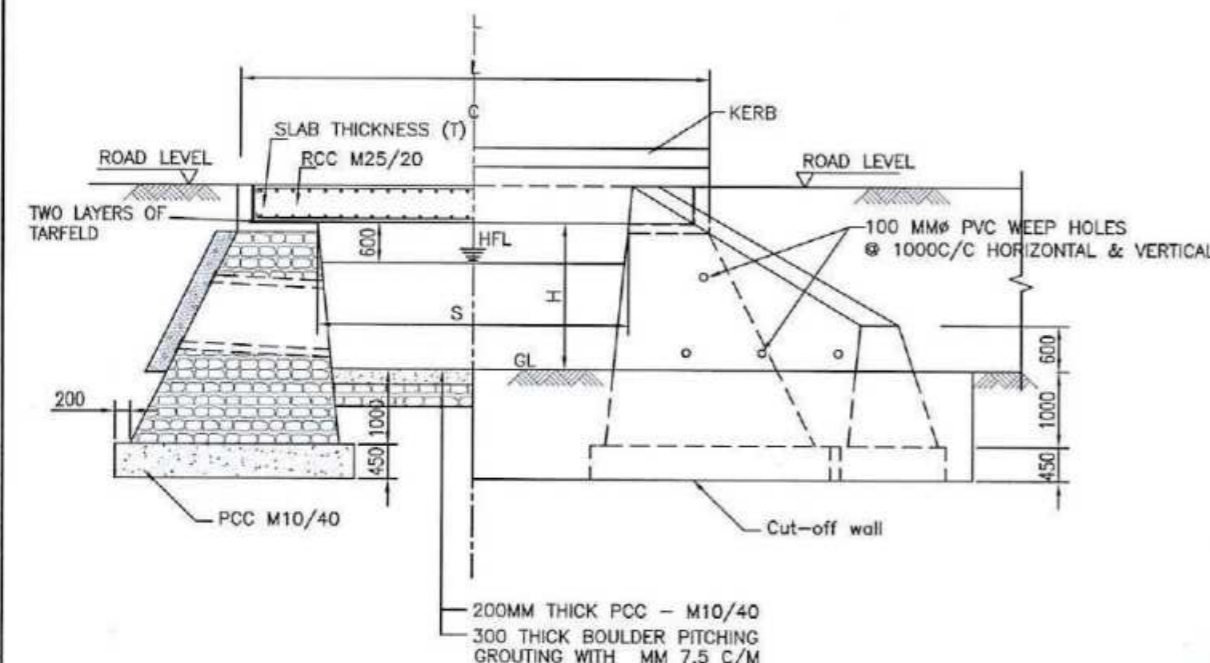
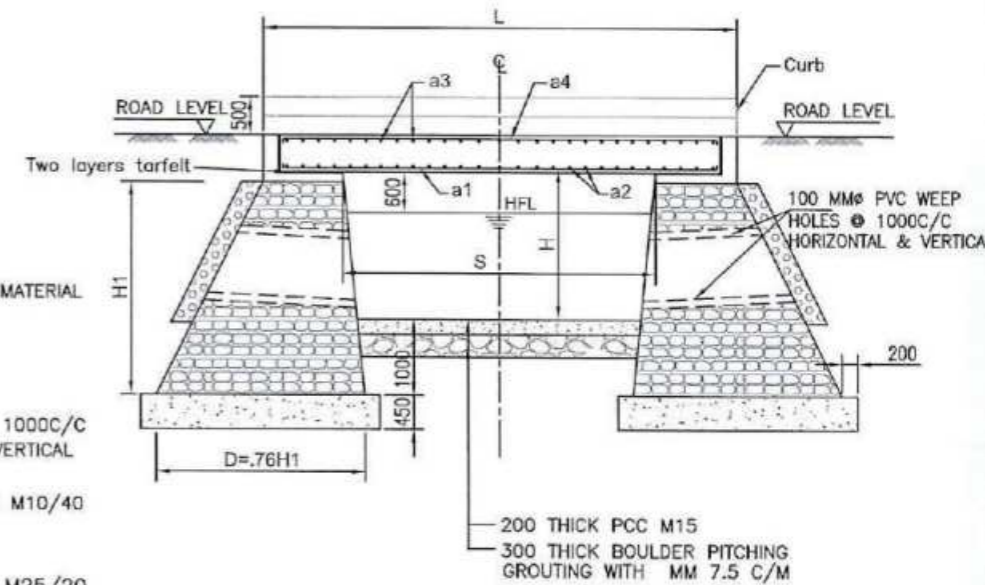
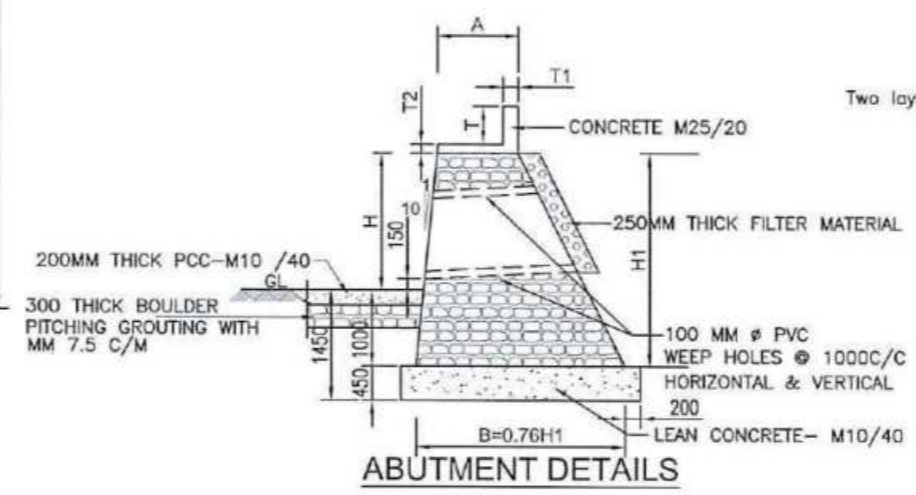
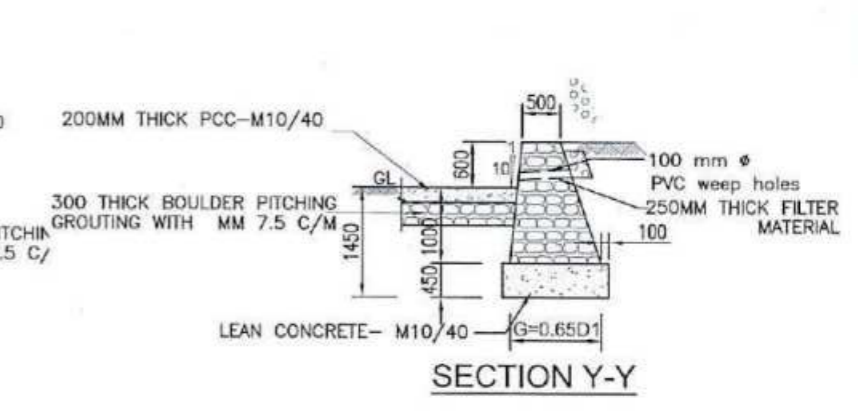
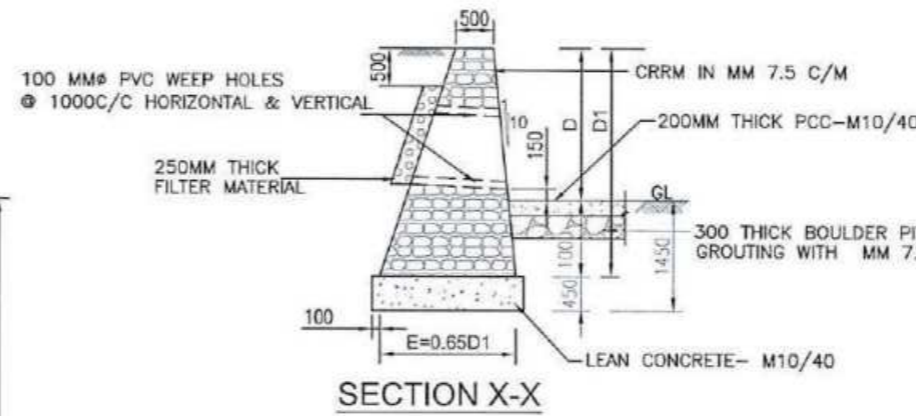
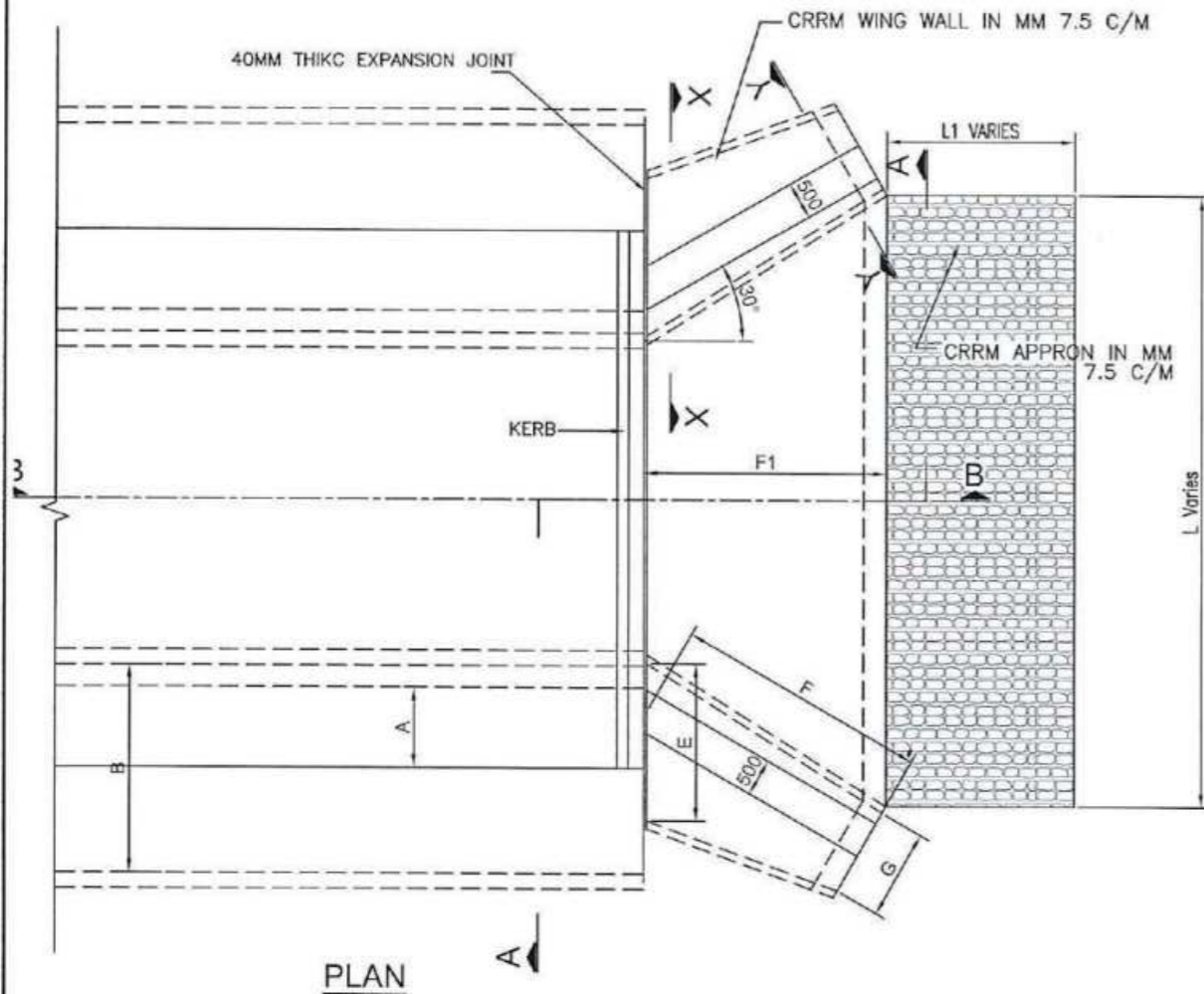
SCALE B

WORK QUANTITIES (PER 10.0m)

ITEM	UNIT	QUANTITY	REMARKS
R.C. PIPE (Ø1200)	m	20.00	NP3
CONCRETE M10/40	m ³	13.82	
FORM WORK	m ²	9.20	
EXCAVATION	m ³	16.24	



1. D=Inside diameter of pipe.
2. Sizes of various components of sections X-X and Y-Y depends on discharge at site.
3. Cascades are used for direct flow over short stretches of very steep erodible gully slope.
4. Height of structures H, H1 & H2 varies as per site condition.
5. All the dimensions are in millimetres unless otherwise mentioned.



- NOTES:
1. CONCRETE mix should be M25/20 or as shown in the drawing.
 2. All edges are to be chamfered 100 mm x 100 mm.
 3. Mortar mix should be MM 7.5.
 4. All Dimensions are in Millimetres except the dimensions in table.

CULVERT TYPE	SIZE	DIMENSIONS(m)							QUANTITIES (LINEAR METRE EXCLUDING WING WALL APRON CUT-OFF WALL)			
		H1	T	T1	T2	A	B	L	CONCRETE M25 (M ³)	CONCRETE M15 (M ³)	Reinforcing Steel(kg) Kerb excluded	MASONRY (M ³)
I	1.00x2.00	3.00	0.25	0.20	0.12	0.52	2.28	2.04	0.61	2.41	60.13	16.80
II	2.00x2.00	3.00	0.25	0.20	0.12	0.65	2.28	3.30	1.01	2.41	73.72	17.58
III	3.00x3.00	4.00	0.30	0.20	0.15	0.77	3.04	4.54	1.62	3.10	99.10	30.48
IV	4.00x3.00	4.00	0.40	0.20	0.15	0.77	3.04	5.54	2.49	3.10	179.99	30.48
V	5.00x3.00	4.00	0.50	0.20	0.20	1.00	3.04	7.00	3.87	3.10	211.12	30.48
VI	6.00x3.00	4.00	0.55	0.25	0.25	1.00	3.04	8.40	4.80	3.10	312.67	30.48

CULVERT TYPE	SIZE	DIMENSIONS(m)							QUANTITIES (AT ONE END) MASONRY M ³
		D	D1	E	F	F1	G		
I	1.00x2.00	2.00	3.00	1.95	2.88	2.48	1.39	5.96	
II	2.00x2.00	2.00	3.00	1.95	2.88	2.48	1.39	5.96	
III	3.00x3.00	3.00	4.00	2.60	4.68	4.05	1.39	12.07	
IV	4.00x3.00	3.00	4.00	2.60	4.85	4.20	1.39	12.52	
V	5.00x3.00	3.00	4.00	2.60	5.02	4.35	1.39	12.95	
VI	5.00x3.00	3.00	4.00	2.60	5.12	4.43	1.39	13.21	

Ministry of Federal Affairs and General Administration
Department of Local Infrastructure (DoLI)
Rural Connectivity Improvement Project (RCIP)
Project Coordination Unit (PCU)
Pulchowk, Lalitpur

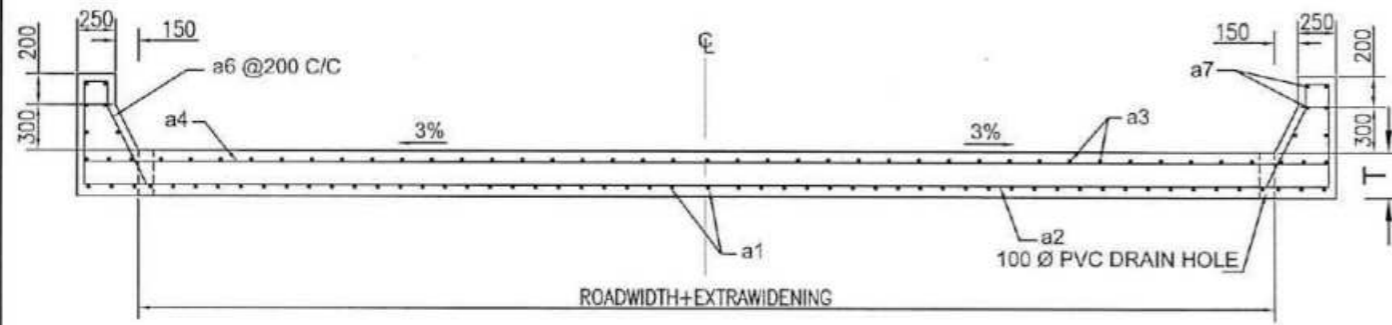
Consultant:
Joint Venture of
AVIYAAN - SOILTEST - CARD
254 Ekata Marg, New Baneshwor,
Kathmandu-34, Nepal
Phone: 977-1-4104307
Email: info@aviyaan.com

Jagadi - Dhansari -
Ganeshman Chamath Na. Pa.
(Province No - 2 Connecting)
Road

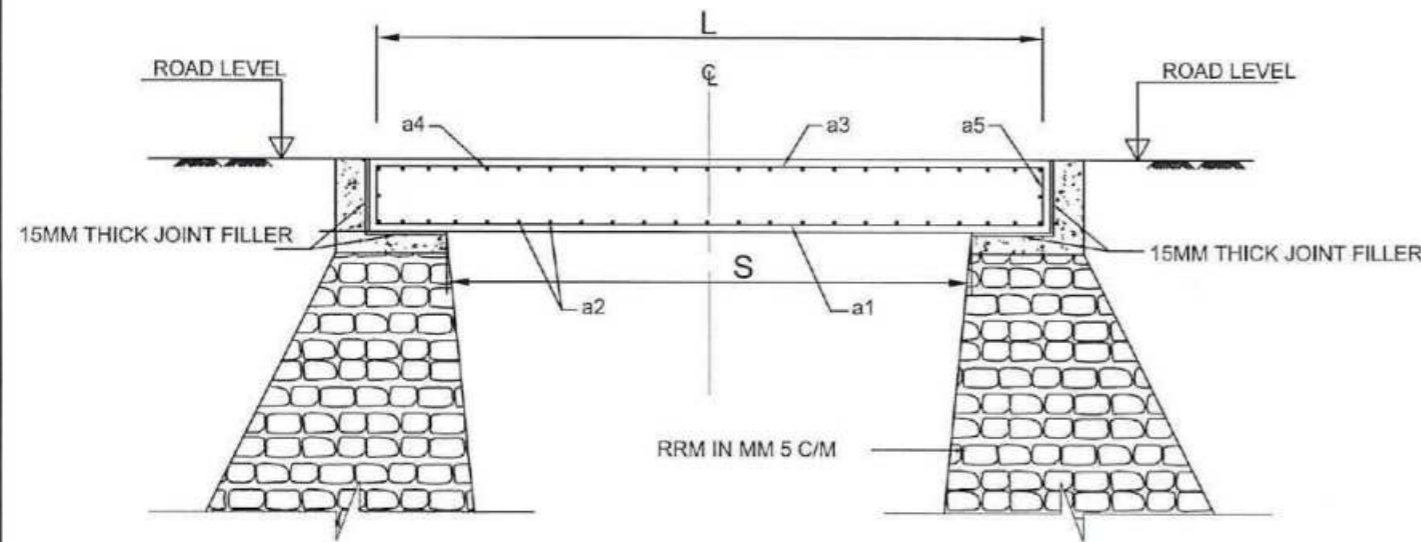
DATE	REVISION	SIGNATURE	DESIGNED BY :	DRAWN BY :	CHECKED BY :	APPROVED BY :

SCALE
As Shown

TYPICAL DRAWING
Standard Drawing of Slab Culvert
DATE:
DRG NO : SC
SHEET NO : 1



TRANSVERSE SECTION



LONGITUDINAL SECTION

BAR BENDING SCHEDULE OF KERB

CULVERT TYPE	MARK a6				MARK a7			
	DIA (mm)	NO.	LENGTH	TOTAL LENGTH	DIA (mm)	NO.	LENGTH	TOTAL LENGTH
I	10	22	1.74	38.17	10	12	1.96	23.52
II	10	36	1.74	62.46	10	12	3.22	38.64
III	10	48	1.74	83.28	10	12	4.46	53.52
IV	10	56	1.74	97.16	10	12	5.44	65.28
V	10	70	1.74	121.45	10	12	6.90	82.80
VI	10	80	1.74	139.20	10	12	7.70	92.40

NOTES:

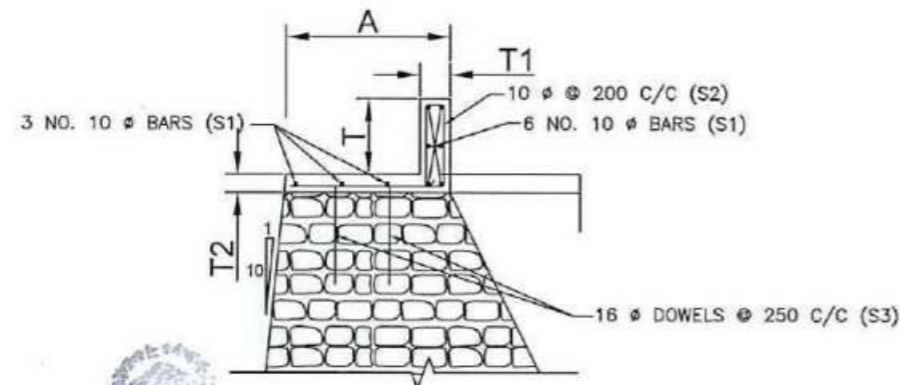
1. TMT BARS having characteristic strength 500 N/mm² should be used.
2. All the dimensions are in millimetres except the dimensions in table.

BAR BENDING SCHEDULE OF ABUTMENT SEAT PER LINEAR METRE (FOR ONE ABUTMENT SEAT)

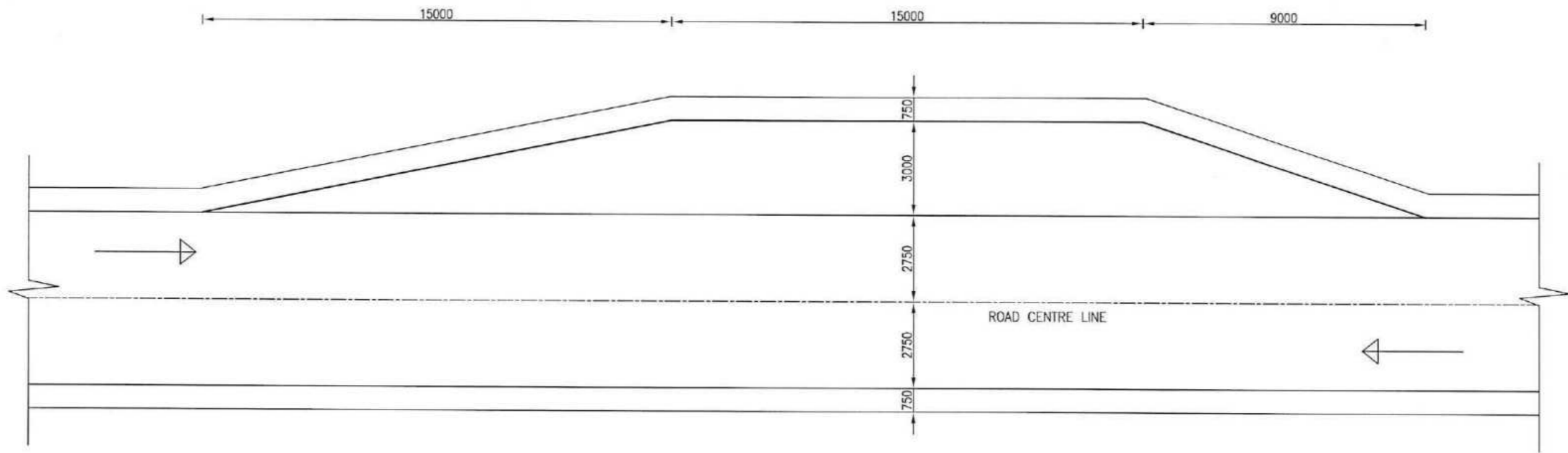
CULVERT TYPE	MARK S1				MARK S2				MARK S3			
	DIA (mm)	NO.	LENGTH	TOTAL LENGTH	DIA (mm)	NO.	LENGTH	TOTAL LENGTH	DIA (mm)	NO.	LENGTH	TOTAL LENGTH
I	10	18.00	1.00	9	10	5	1.25	6.25	16	8	0.60	4.80
II	10	18.00	1.00	9	10	5	1.26	6.32	16	8	0.60	4.80
III	10	18.00	1.00	9	10	5	1.58	7.90	16	8	0.60	4.80
IV	10	18.00	1.00	9	10	5	1.94	9.69	16	8	0.60	4.80
V	10	18.00	1.00	9	10	5	2.23	11.15	16	8	0.60	4.80
V	10	18.00	1.00	9	10	5	2.27	11.35	16	8	0.60	4.80

BAR BENDING SCHEDULE PER ONE LINEAR METRE OF CULVERT (EXCLUDING KERB & ABUTMENT SEAT)

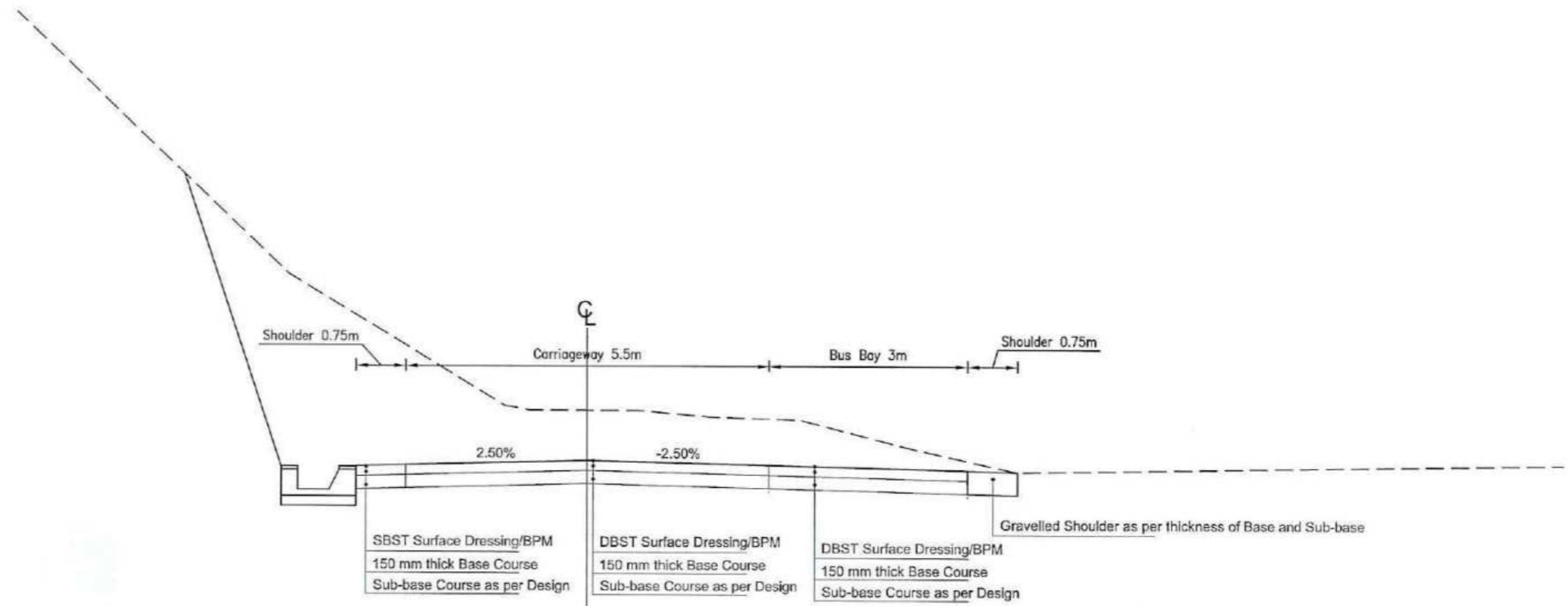
CULVERT TYPE	MARK a1				MARK a2				MARK a3				MARK a4				MARK a5			
	DIA (mm)	SPACING	NO. REOD./ PER LINEAR METRE	L	DIA	SPACING	NO. REOD./ PER LINEAR METRE	L	DIA	SPACING	NO. REOD./ PER LINEAR METRE	L	DIA	SPACING	NO. REOD./ PER LINEAR METRE	L	DIA	SPACING	NO. REOD./ PER LINEAR METRE	L
I	12	140	7.14	1.54	12	300	3.33	8.20	10	300	3.33	1.54	10	300	3.33	8.20	12		2	8.20
II	12	120	8.33	2.80	12	300	3.33	8.20	10	300	3.33	2.80	10	300	3.33	8.20	12		2	8.20
III	16	150	6.67	4.04	12	300	3.33	8.20	10	300	3.33	4.04	10	300	3.33	8.20	12		2	8.20
IV	20	150	6.67	6.04	12	200	5.00	8.20	10	200	5.00	6.04	10	200	2.00	8.20	12		2	8.20
V	20	130	7.69	6.50	12	180	5.56	8.20	12	300	3.33	6.50	12	300	3.33	8.20	12		2	8.20
VI	25	150	6.67	7.80	12	150	6.67	8.20	12	200	5.00	7.80	12	200	5.00	8.20	12		2	8.20



ABUTMENT SEAT DETAIL



TYPICAL PLAN OF A BUS BAY
SCALE 1:150



TYPICAL ROAD CROSS SECTION
SCALE 1:80



Government of Nepal
Ministry of Federal Affairs and General Administration
Department of Local Infrastructure (DoLI)
Rural Connectivity Improvement Project (RCIP)
Project Coordination Unit (PCU)
Pulchowk, Lalitpur

Consultant:
Joint Venture of
AVIYAAN - SOILTEST - CARD
254 Eketa Marg, New Baneshwor,
Kathmandu-34, Nepal
Phone: 977-1-4104307
Email: info@aviyaan.com

Jagadi - Dhansari -
Ganeshman Charnath Na. Pa.
(Province No - 2 Connecting)
Road

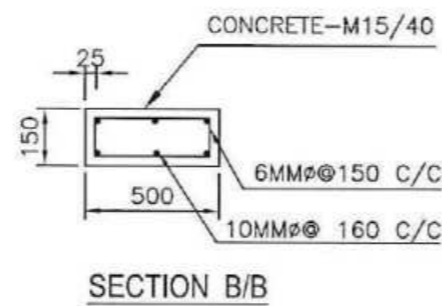
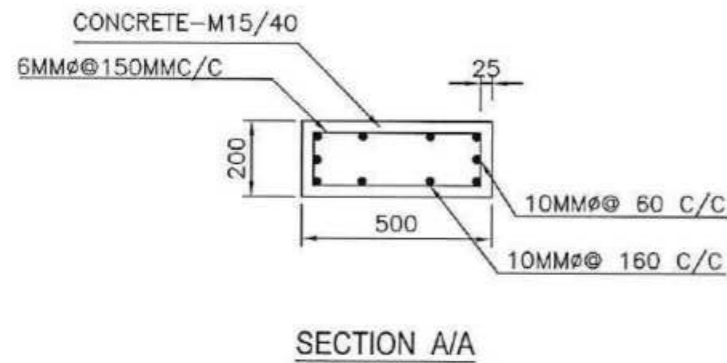
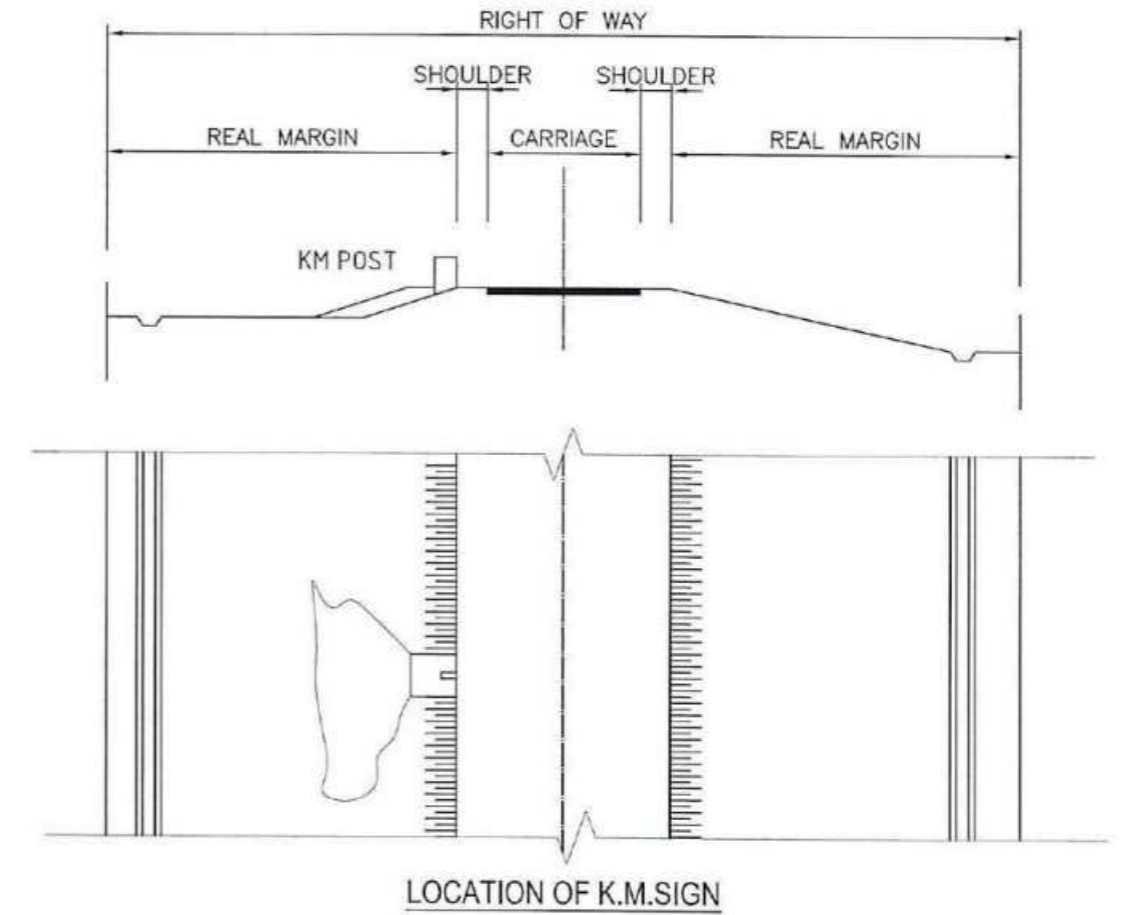
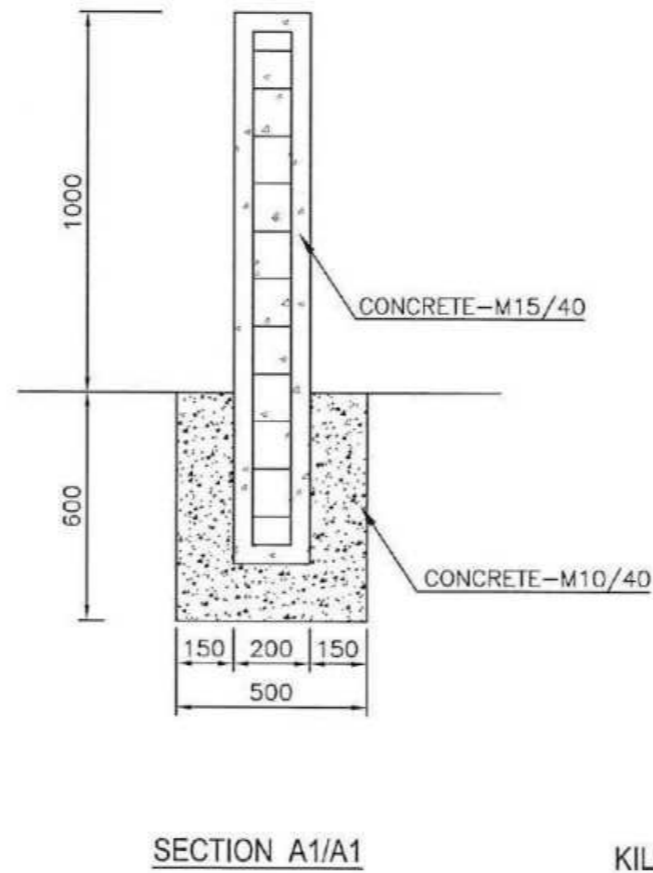
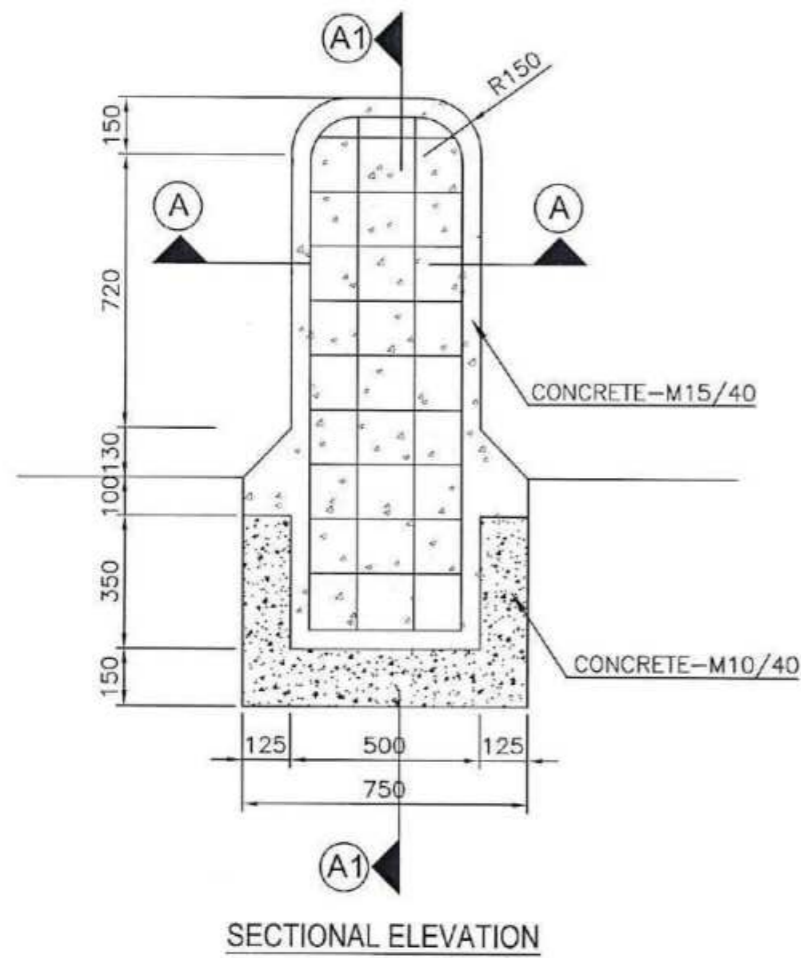
DATE	REVISION	SIGNATURE	DESIGNED BY :	SCALE
			DRAWN BY :	075
			CHECKED BY :	As Shown
			APPROVED BY :	

SCALE
075
As Shown

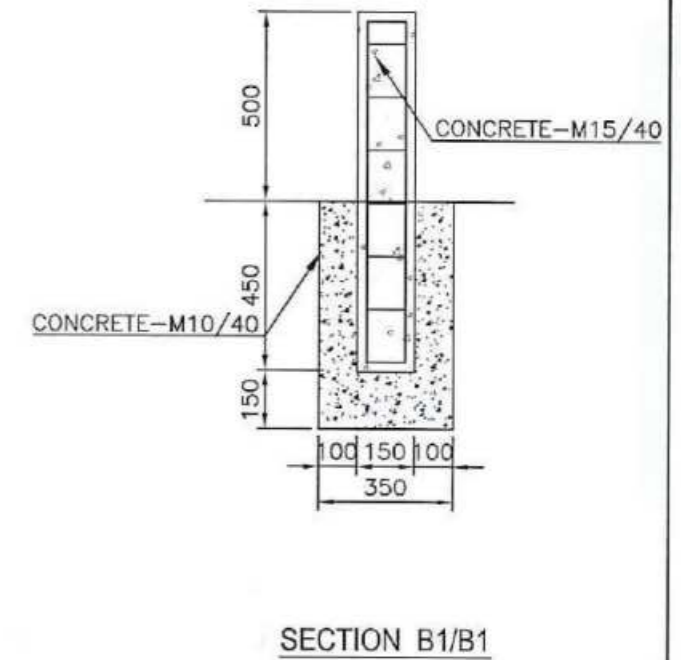
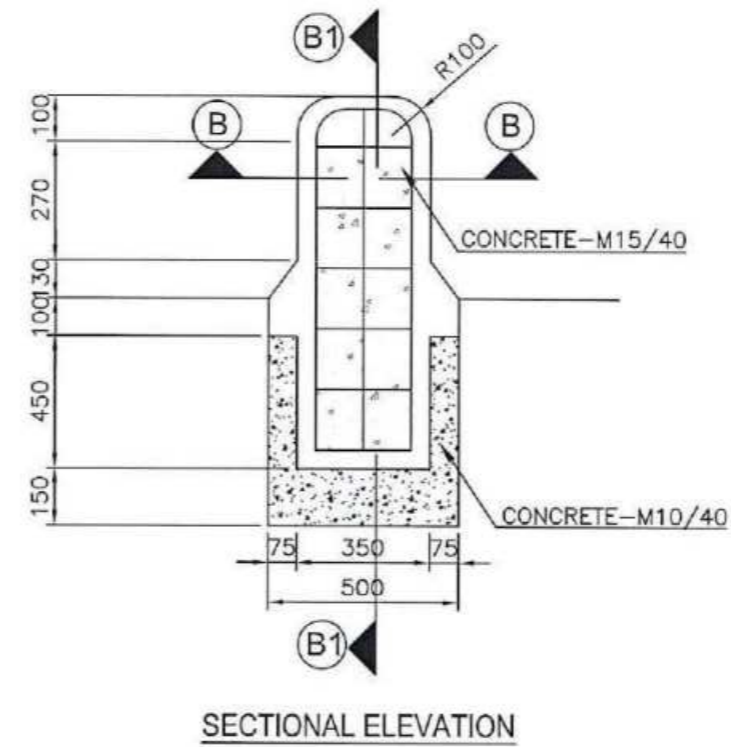
TYPICAL DRAWING
Standard Drawing of Bus Bay

DATE:
DRG NO : BB
SHEET NO : 1

5TH. KILOMETRE STONE



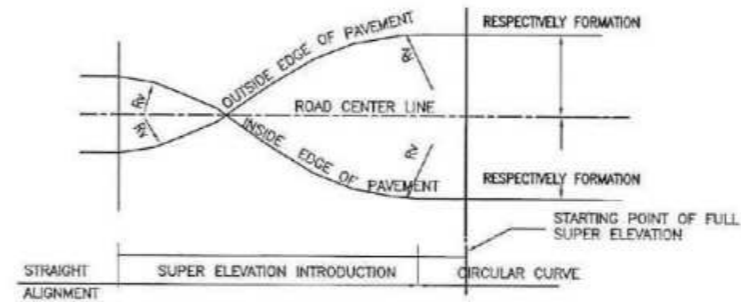
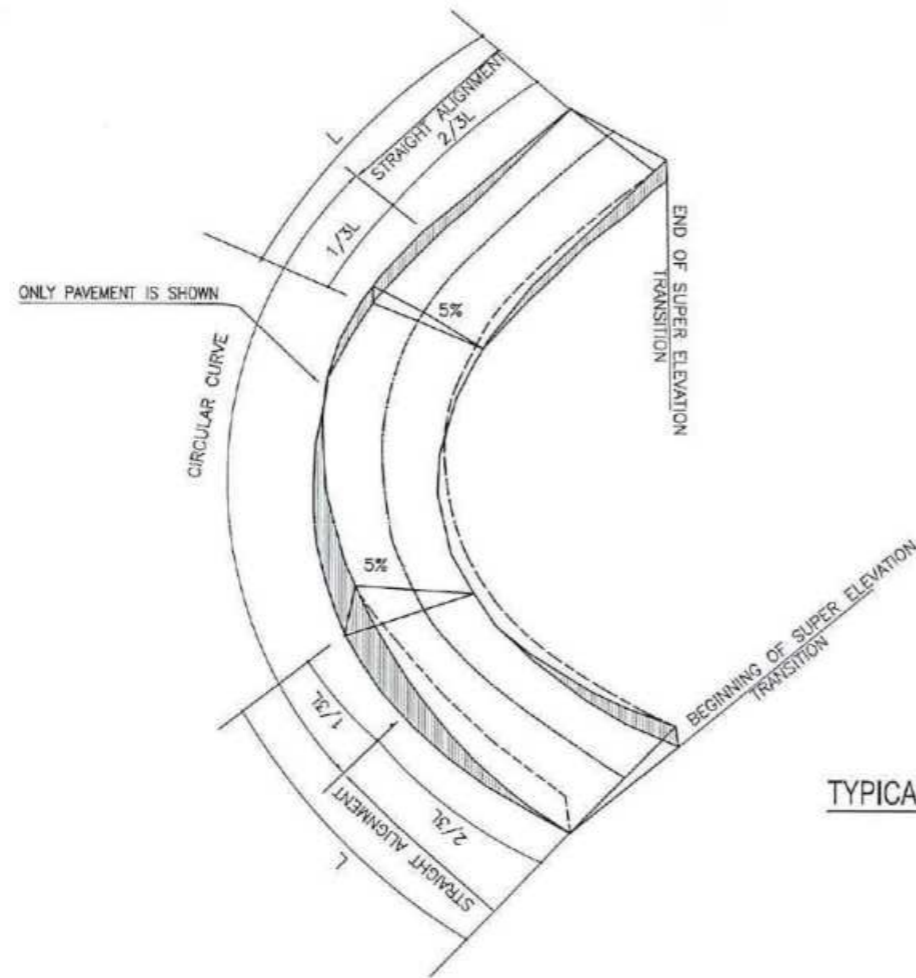
KILOMETRE STONE



- NOTE #:
1. ALL DIMENSIONS ARE IN MILLIMETER UNLESS OTHERWISE STATED.
 2. ANY DEVIATION FROM STANDARD DRAWING SHALL BE FOLLOWED.



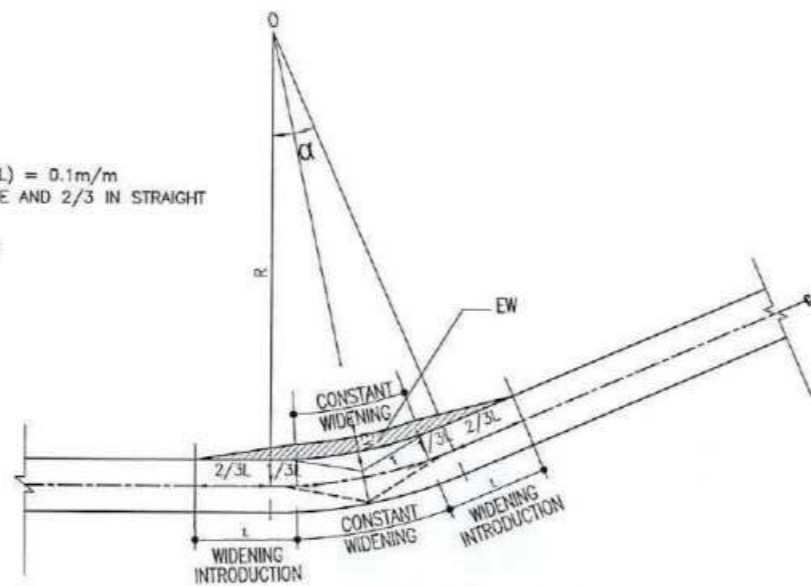
Government of Nepal Ministry of Federal Affairs and General Administration Department of Local Infrastructure (DoLI) Rural Connectivity Improvement Project (RCIP) Project Coordination Unit (PCU) Pulchowk, Lalitpur	Consultant: Joint Venture of AVIYAAN - SOILTEST - CARD 254 Ekta Marg, New Baneshwor, Kathmandu-34, Nepal Phone: 977-1-4104307 Email: info@aviyaan.com	Jagadi - Dhansari - Ganeshman Charnath Na. Pa. (Province No - 2 Connecting) Road	DATE	REVISION	SIGNATURE	DESIGNED BY : <i>[Signature]</i>	SCALE 1:70 As Shown	TYPICAL DRAWING	DATE:
						DRAWN BY : <i>[Signature]</i>		CHECKED BY : <i>[Signature]</i>	APPROVED BY : <i>[Signature]</i>
								SHEET NO : 1	



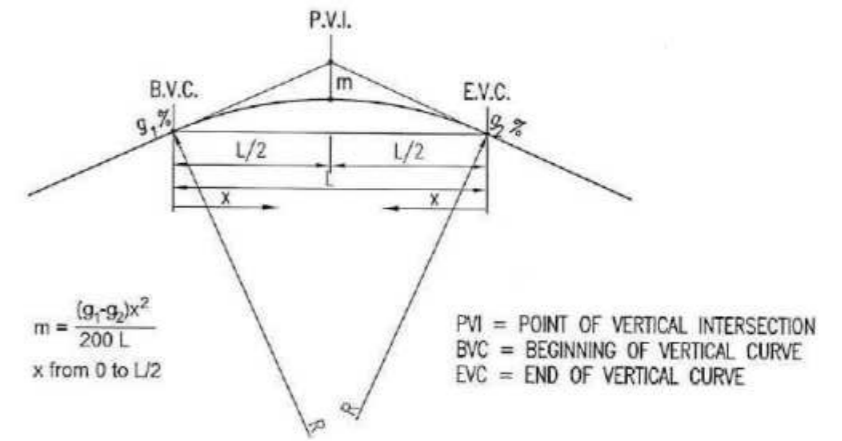
MAXIMUM SUPER ELEVATION TRANSITION 1% IN 60 m
 NORMAL SUPER ELEVATION TRANSITION 1% IN 100 m
 L = SUPER ELEVATION TRANSITION LENGTH

TYPICAL SUPER ELEVATION IN CURVES

EXTRA WIDENING TRANSITION RATE(L) = 0.1m/m
 EXTRA WIDENING 1/3 INSIDE CURVE AND 2/3 IN STRAIGHT
 EW = EXTRA WIDENING WIDTH
 L = WIDENING TRANSITION LENGTH



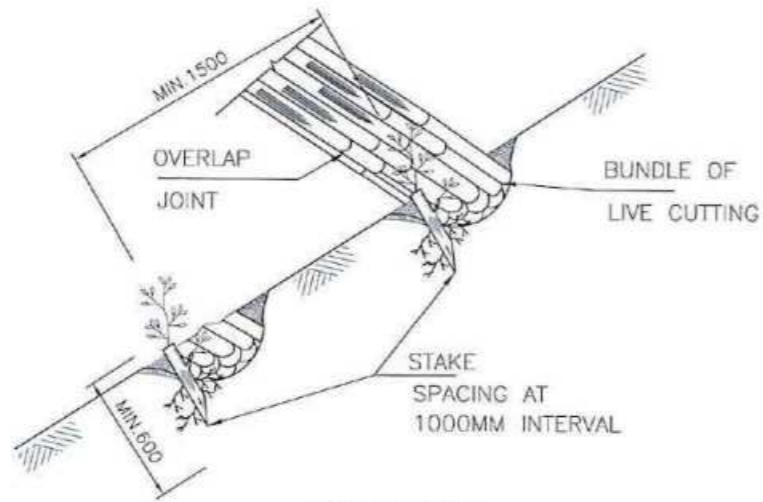
CURVE WIDENING



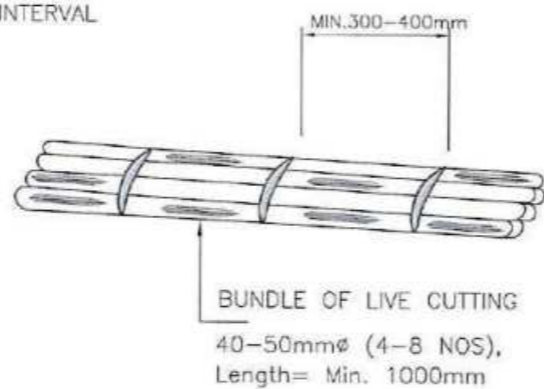
VERTICAL CURVE CALCULATION



Government of Nepal Ministry of Federal Affairs and General Administration Department of Local Infrastructure (DoLI) Rural Connectivity Improvement Project (RCIP) Project Coordination Unit (PCU) Pulchowk, Lalitpur	Consultant: Joint Venture of AVIYAAN - SOILTEST - CARD 254 Ekota Marg, New Baneshwor, Kathmandu-34, Nepal Phone: 977-1-4104307 Email: info@aviyaan.com	Jagadi - Dhansari - Ganeshman Charnath Na. Pa. (Province No - 2 Connecting) Road	DATE	REVISION	SIGNATURE	DESIGNED BY : <i>CP</i>	SCALE 1:1000 As Shown	TYPICAL DRAWING	DATE:
						DRAWN BY : <i>MB</i>			Curve Details
						APPROVED BY :			SHEET NO : 1



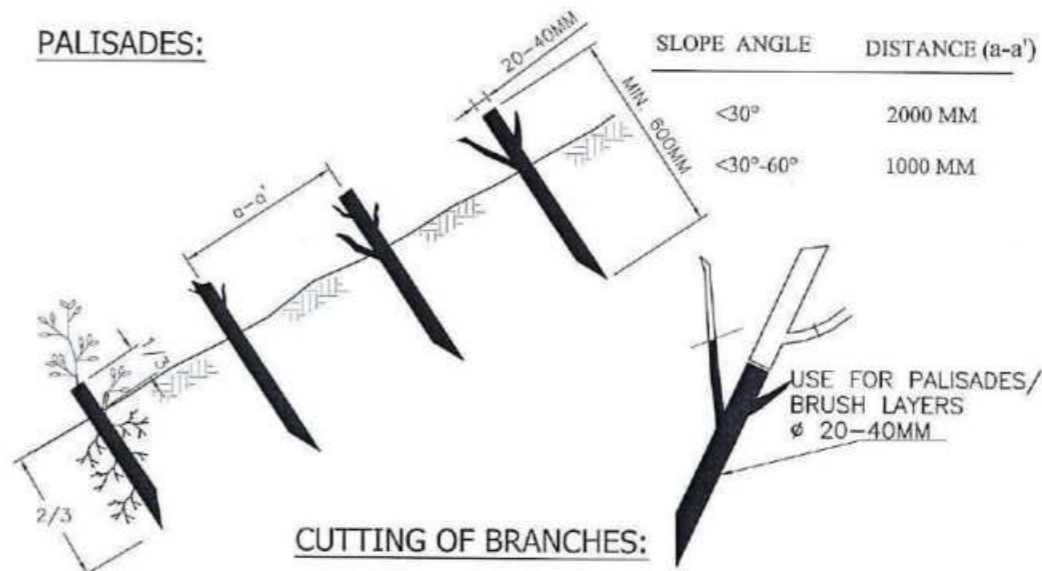
SIDE VIEW



PLAN VIEW

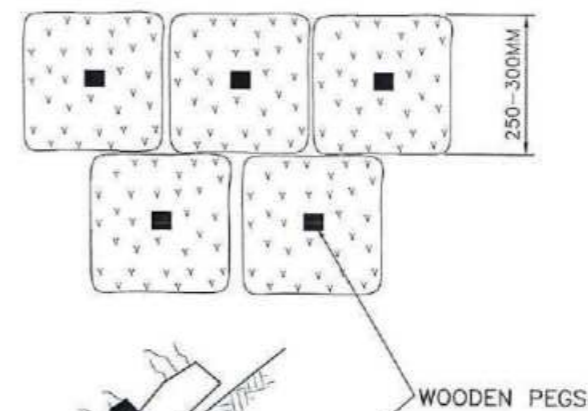
FASCINE

PALISADES:



CUTTING OF BRANCHES:

SODDING



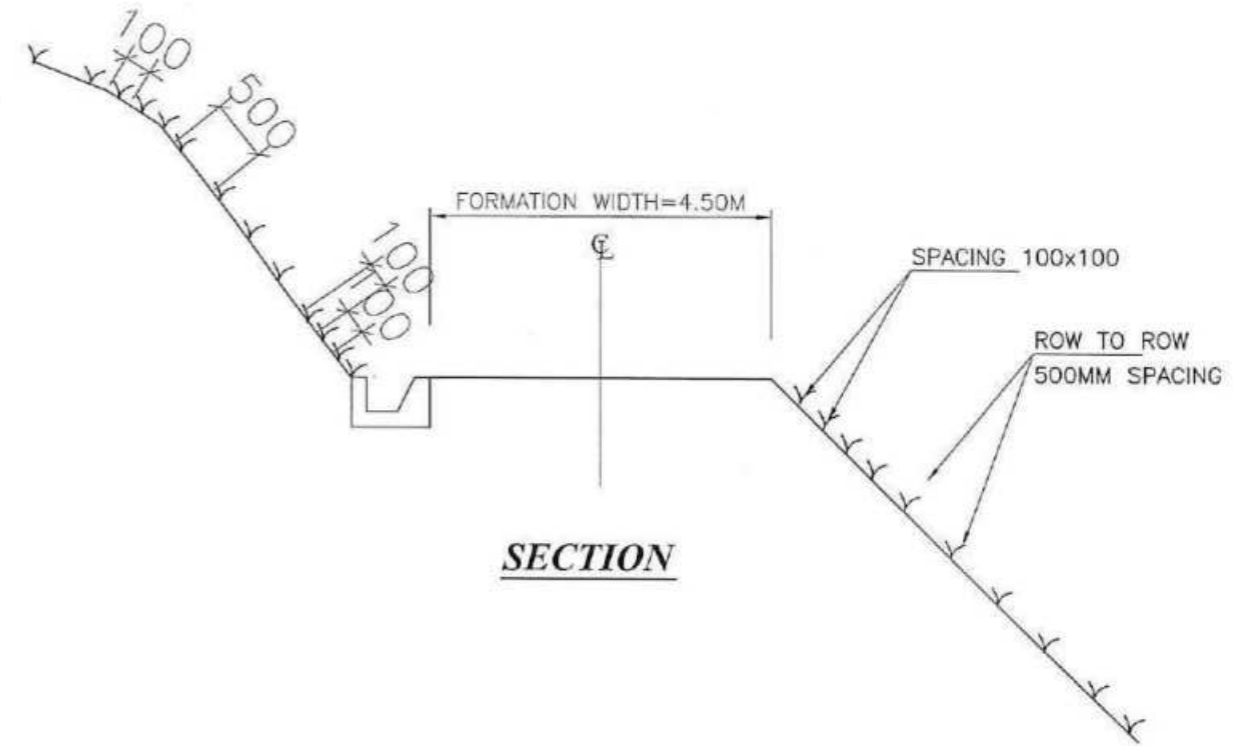
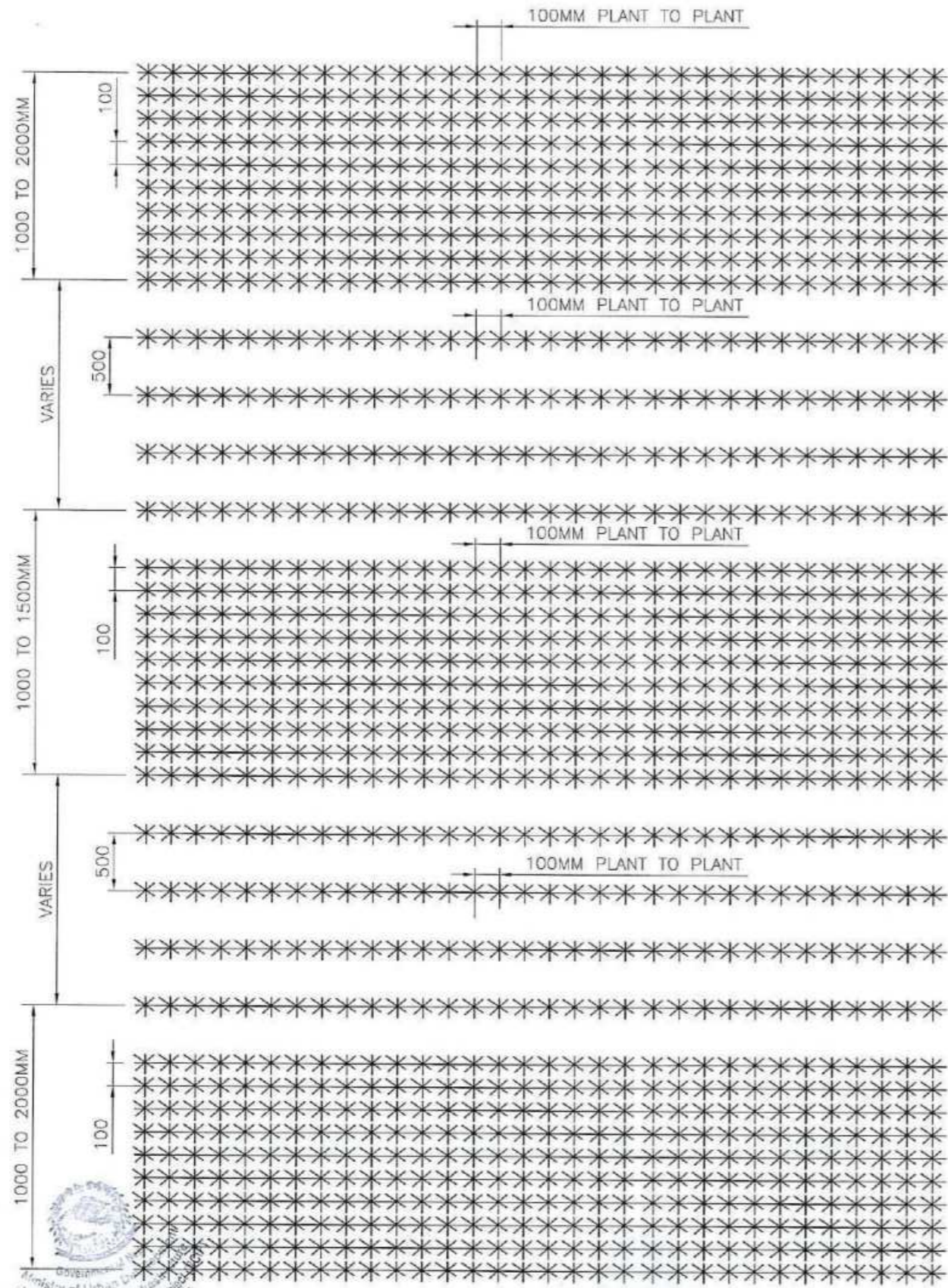
WOODEN PEGS



<p>Government of Nepal Ministry of Federal Affairs and General Administration Department of Local Infrastructure (DoLI) Rural Connectivity Improvement Project (RCIP) Project Coordination Unit (PCU) Pulchowk, Lalitpur</p>	<p>Consultant: Joint Venture of AVIYAAN - SOILTEST - CARD 254 Ekata Marg, New Baneshwor, Kathmandu-34, Nepal Phone: 977-1-4104307 Email: info@aviyaan.com</p>	<p>Jagadi - Dhansari - Ganeshman Charnath Na. Pa. (Province No - 2 Connecting) Road</p>	DATE	REVISION	SIGNATURE	DESIGNED BY :	<p>SCALE 076 As Shown</p>	TYPICAL DRAWING	DATE:
						DRAWN BY :		DRG NO : BE-	
						CHECKED BY :		SHEET NO : 1	
						APPROVED BY :			

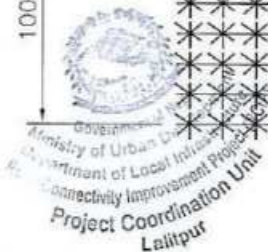
GRASS PLANTING CONFIGURATION

a) ROOTED GRASS SLIPS:



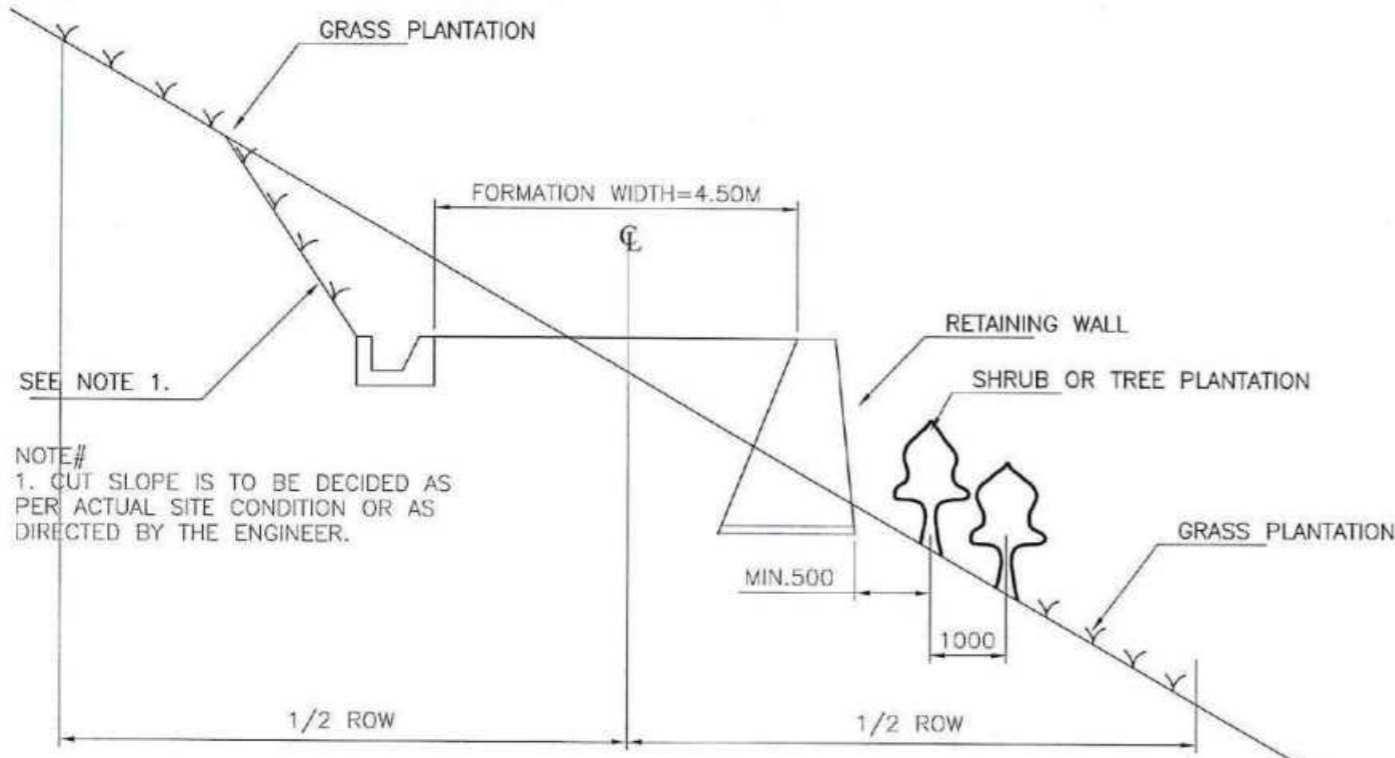
b) CULM CUTTING GRASS PLANTING:

- LINE PLANTING @ 8 NOS. PER METER LENGTH.
- SPACING BETWEEN ROWS = 300 TO 500MM.



<p>Government of Nepal Ministry of Federal Affairs and General Administration Department of Local Infrastructure (DoLI) Rural Connectivity Improvement Project (RCIP) Project Coordination Unit (PCU) Pulchowk, Lalitpur</p>	<p>Consultant: Joint Venture of AVIYAAN - SOILTEST - CARD 254 Ekdote Marg, New Baneshwor, Kathmandu-34, Nepal Phone: 977-1-4104307 Email: info@aviyaan.com</p>	<p>Jagadi - Dhansari - Ganeshman Charnath Na. Pa. (Province No - 2 Connecting) Road</p>	DATE	REVISION	SIGNATURE	DESIGNED BY :	SCALE 1:75 As Shown	TYPICAL DRAWING	DATE:
						DRAWN BY :			
						APPROVED BY :			SHEET NO : 2

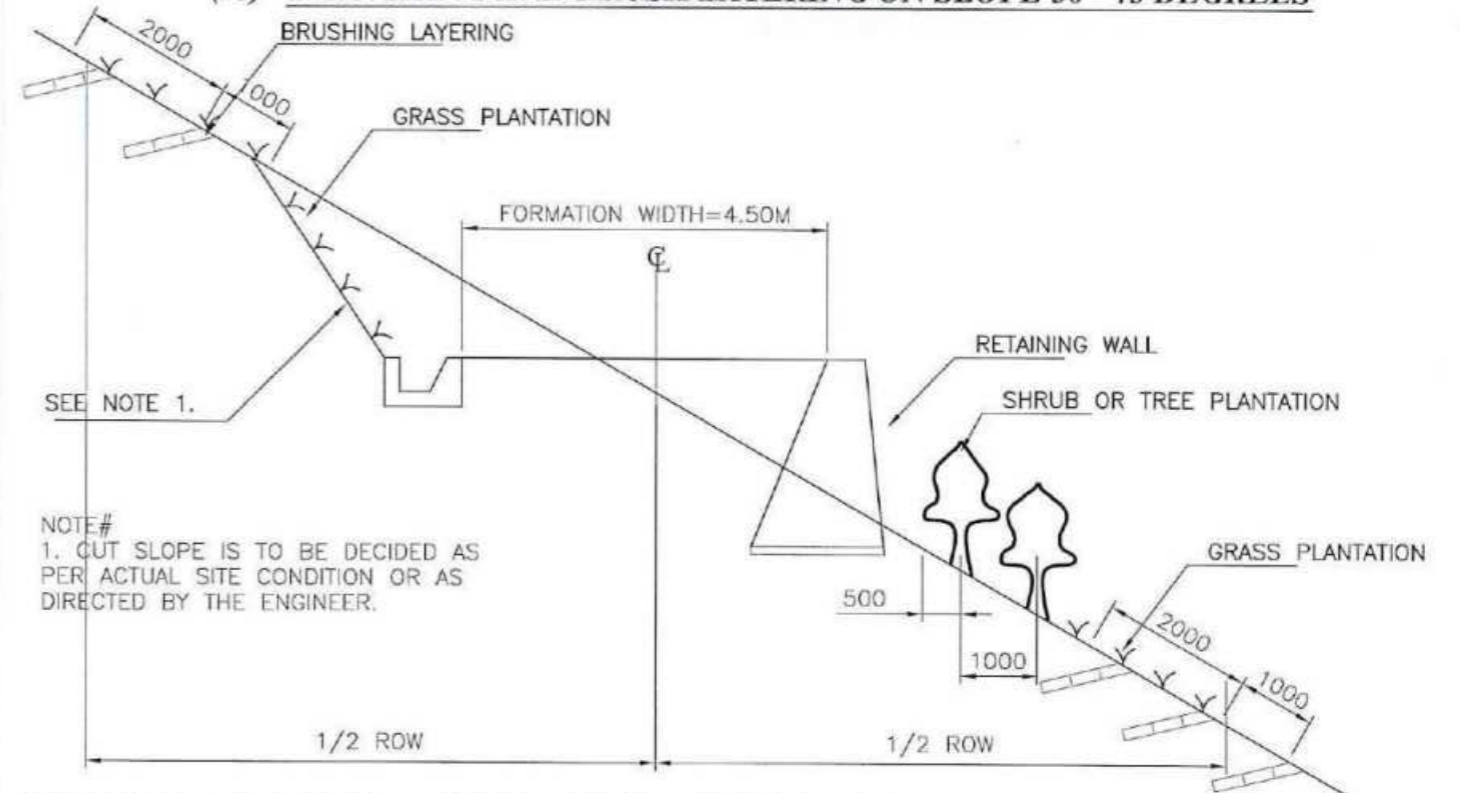
(1a) PLANTING ON SLOPE <30 DEGREES



NOTE#
1. CUT SLOPE IS TO BE DECIDED AS PER ACTUAL SITE CONDITION OR AS DIRECTED BY THE ENGINEER.

IF THE SLOPE LESS THAN 35 DEGREE, PLANTING TREE SEEDLINGS WILL BE DONE ALONG THE SLOPE AT AN INTERVAL OF 1M C/C. BY DIGGING PITS 300MM. DIAMETER AND 30 CM. DEPTH. MIX COMPOST WITH SOIL UP TO 1/4 OF PIT VOLUME. IN BETWEEN THE TWO TERRACES, ROOTED GRASS SLIPS WILL BE PLANTED AT THE SPACING 100x100MM BY DIGGING PLANTING HOLES TO A MAXIMUM OF 50MM. DEPTH WITH METAL ROD OR WOOD PEG.

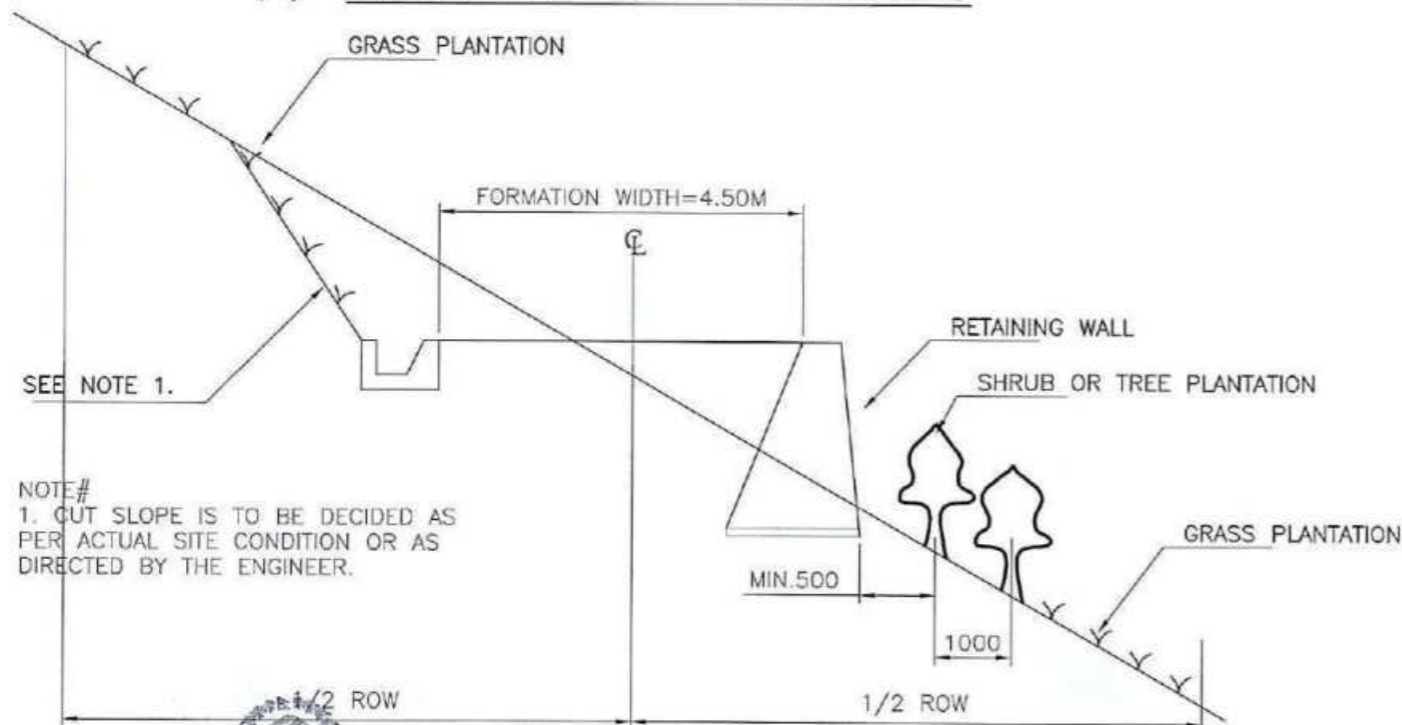
(1b) TRENCHING AND BRUSH LAYERING ON SLOPE 30 - 45 DEGREES



NOTE#
1. CUT SLOPE IS TO BE DECIDED AS PER ACTUAL SITE CONDITION OR AS DIRECTED BY THE ENGINEER.

IF THE SLOPE IN BETWEEN 30-45 DEGREE, TRENCHES ARE DUG UP TO 200MM. DEPTH ALONG THE CONTOUR AND LIVE BRANCHES OF CUTTINGS ARE PLACED CRISS CROSS WISE IN THE TRENCHES EXPOSING 1/5 OF THE TOTAL LENGTH ABOVE THE GROUND. IN THE SLOPE BETWEEN THE TWO TRENCHES, ROOTED GRASS SLIPS WILL BE PLANTED AT THE SPACING OF 100MMx100MM BY DIGGING HOLES 50MM DEPTH WITH METAL ROD OR HARD WOOD PEG.

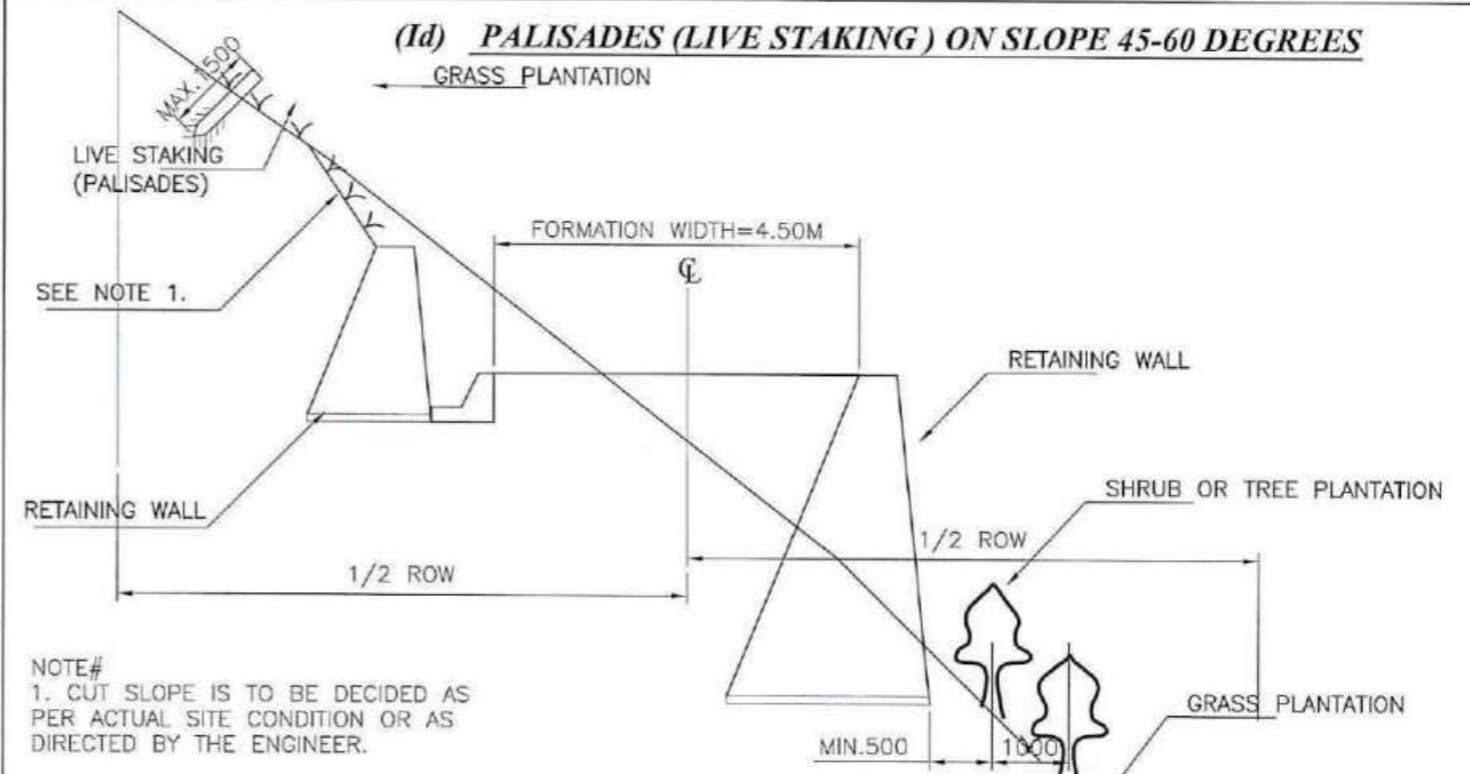
(1c) PLANTING ON SLOPE <30 -45 DEGREES



NOTE#
1. CUT SLOPE IS TO BE DECIDED AS PER ACTUAL SITE CONDITION OR AS DIRECTED BY THE ENGINEER.

IF THE SLOPE IN BETWEEN 30-45 DEGREE, PLANTATION OF TREE SEEDLINGS WILL BE DONE ALONG THE CONTOUR AT AN INTERVAL OF 1M. BY DIGGING PITS OF SIZE 300MM. DIA AND 300MM. DEPTH. MIX COMPOST WITH SOIL UP TO 1/4 OF PIT VOLUME. IN BETWEEN THE TWO TRENCHES, ROOTED GRASS SLIPS WILL BE PLANTED AT THE SPACING OF 100MM. x 100MM. BY DIGGING HOLES TO A MAXIMUM OF 50MM. DEPTH WITH METAL ROD OR WOODEN PEG.

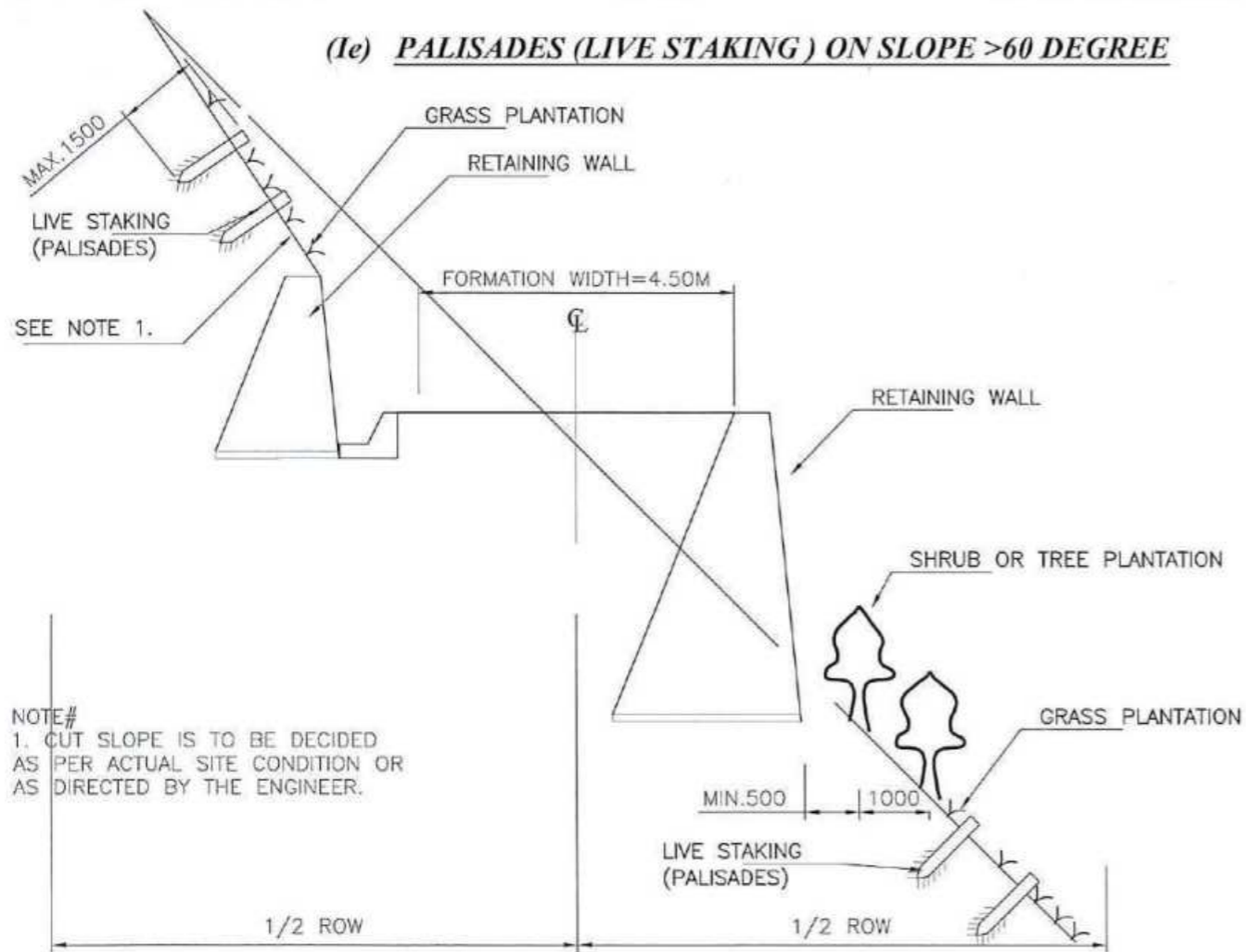
(1d) PALISADES (LIVE STAKING) ON SLOPE 45-60 DEGREES



NOTE#
1. CUT SLOPE IS TO BE DECIDED AS PER ACTUAL SITE CONDITION OR AS DIRECTED BY THE ENGINEER.

IF THE SLOPE IS IN BETWEEN 45-60 DEGREE, LIVE STAKES OF DIAMETER MIN. 50MM AND LENGTH MINIMUM 1M. ARE DIPPED TO GROUND AT RIGHT ANGLE TO THE INCLINED SLOPE SO THAT MAXIMUM 150MM IS ALLOWED TO STICK OUT OF THE GROUND. PEGS SHOULD BE SPACED AT 50MM WITHIN THE ROW ALONG THE CONTOUR. ON SLOPES IN BETWEEN ROOTED GRASS SLIPS WILL BE PLACED AT THE SPACING OF 100MM x 100MM BY DIGGING HOLES 50MM DEPTH WITH METAL ROD OR HARD PEG.

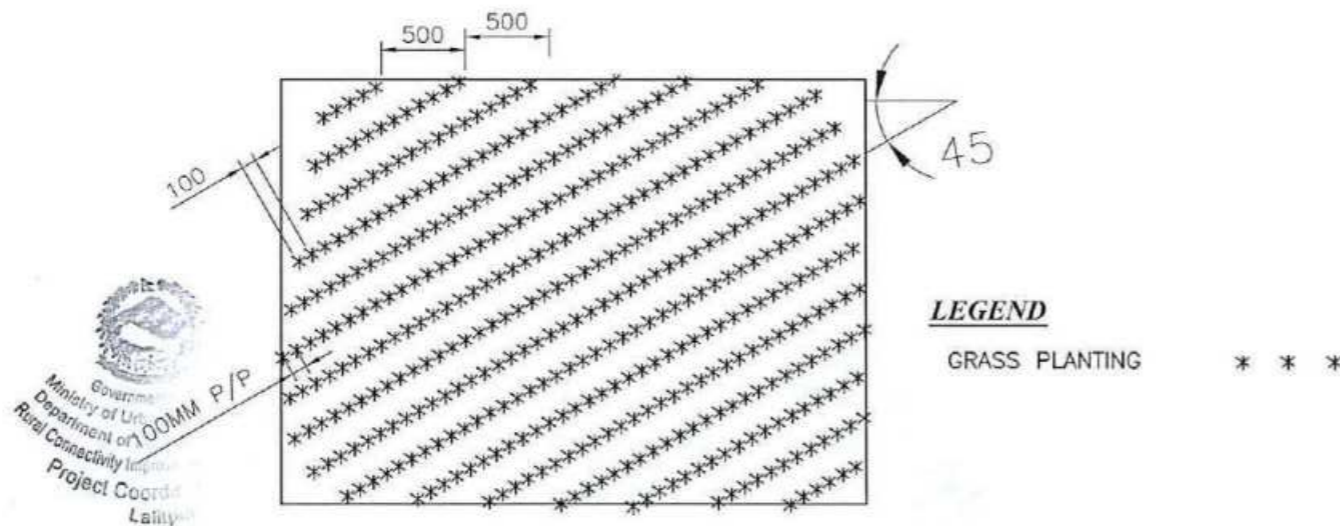
(1e) PALISADES (LIVE STAKING) ON SLOPE >60 DEGREE



NOTE#
1. CUT SLOPE IS TO BE DECIDED AS PER ACTUAL SITE CONDITION OR AS DIRECTED BY THE ENGINEER.

IF THE SLOPE IS 60 DEGREES, LIVE STAKES OF MINIMUM 50MM. DIA. AND 1M. LONG OF SUITABLE SPECIES ARE DIPPED INTO THE GROUND AT RIGHT ANGLE TO THE INCLINED SLOPE, SO THAT MAX. 150MM. IS ALLOWED TO STICK OUT OF THE GROUND. LIVE STAKES SHOULD BE SPACED AT 50MM. ALONG THE CONTOUR AND 1M. ALONG THE SLOPES. ON SLOPE IN BETWEEN THE LIVE STAKING, ROOTED GRASS SLIPS WILL BE PLANTED AT THE SPACING OF 100MM.x100MM. BY DIGGING HOLES 50MM. DEPTH WITH METAL ROD OR HARD WOOD PEG.

GRASS PLANTING LINES, DIAGONAL



Government of Nepal
Ministry of Federal Affairs and General Administration
Department of Local Infrastructure (DoLI)
Rural Connectivity Improvement Project (RCIP)
Project Coordination Unit (PCU)
Pulchowk, Lalitpur

Consultant:
Joint Venture of
AVIYAAN - SOILTEST - CARD
254 Ekata Marg, New Baneshwor,
Kathmandu-34, Nepal
Phone: 977-1-4104307
Email: info@aviyaan.com

Jagadi - Dhansari -
Ganeshman Charnath Na. Pa.
(Province No - 2 Connecting)
Road

DATE	REVISION	SIGNATURE	DESIGNED BY :
			GA
			DRAWN BY :
			MB
			CHECKED BY :
			APPROVED BY :

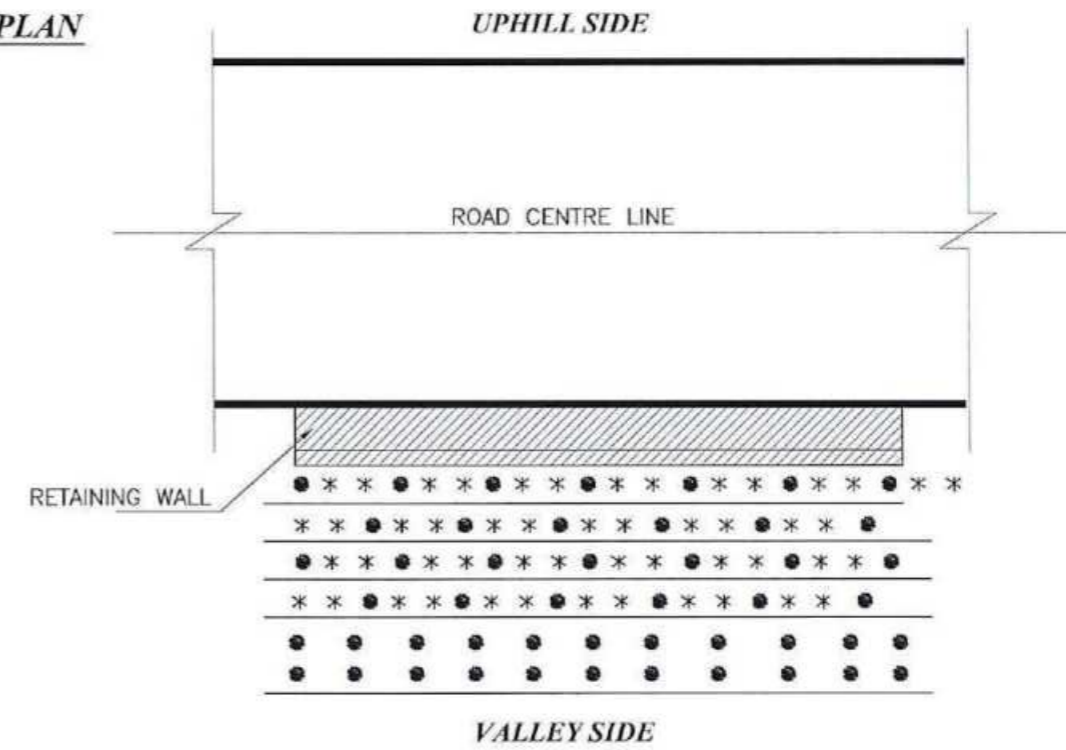
SCALE
As Shown

TYPICAL DRAWING
Bio Engineering

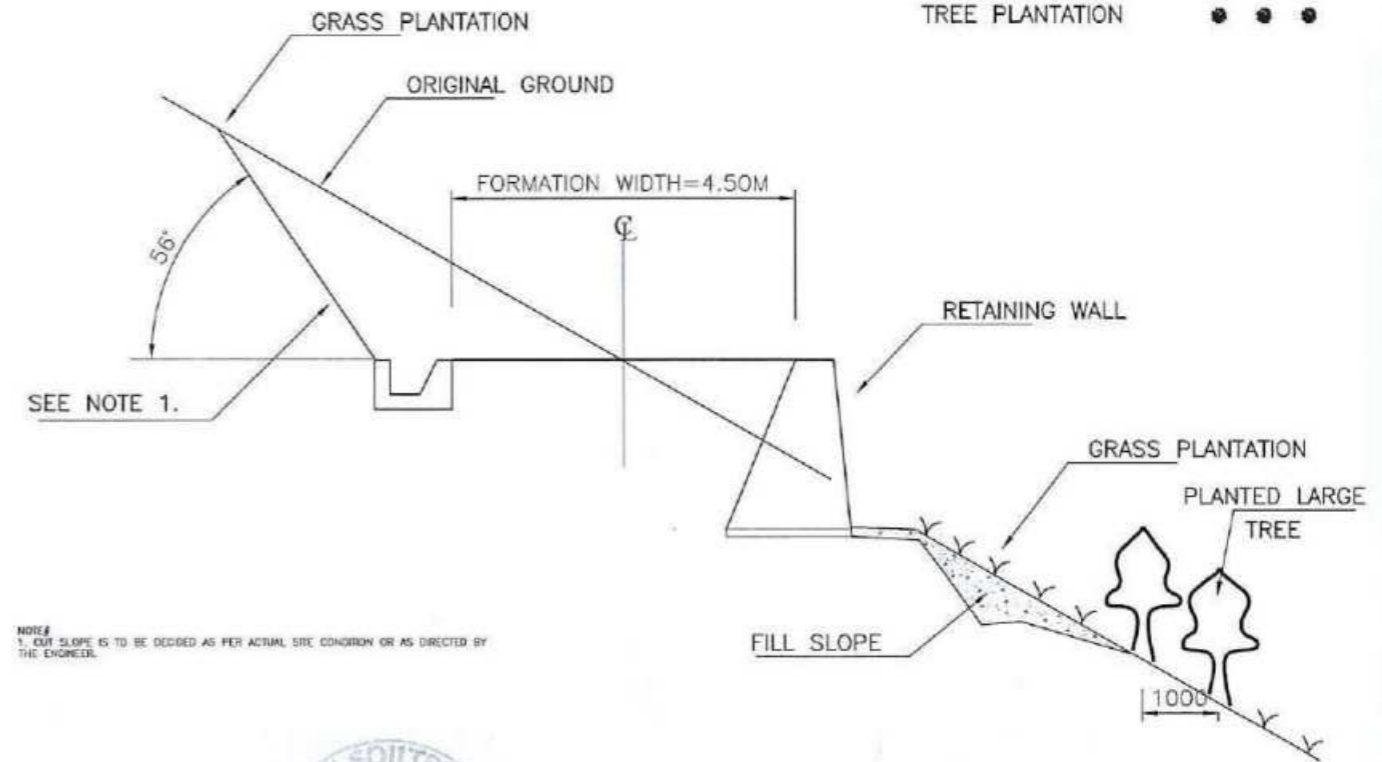
DATE:
DRG NO : BE
SHEET NO : 4

-COMBINED VALLEY SIDE RETAINING WALL WITH BIOENGINEERING MEASURES

(B1) PLAN



SECTION/PROFILE

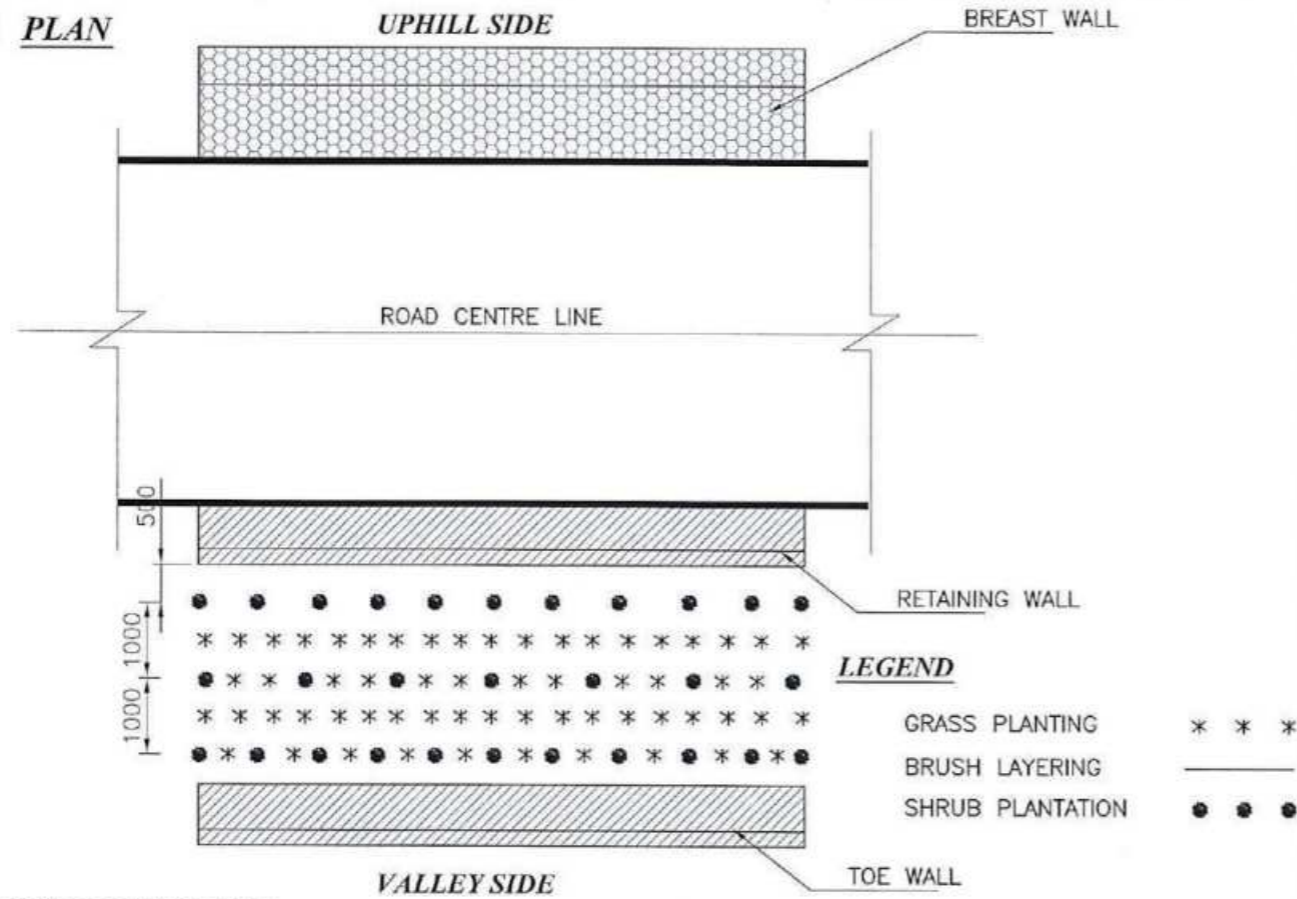


NOTE#
1. CUT SLOPE IS TO BE DECIDED AS PER ACTUAL SITE CONDITION OR AS DIRECTED BY THE ENGINEER.

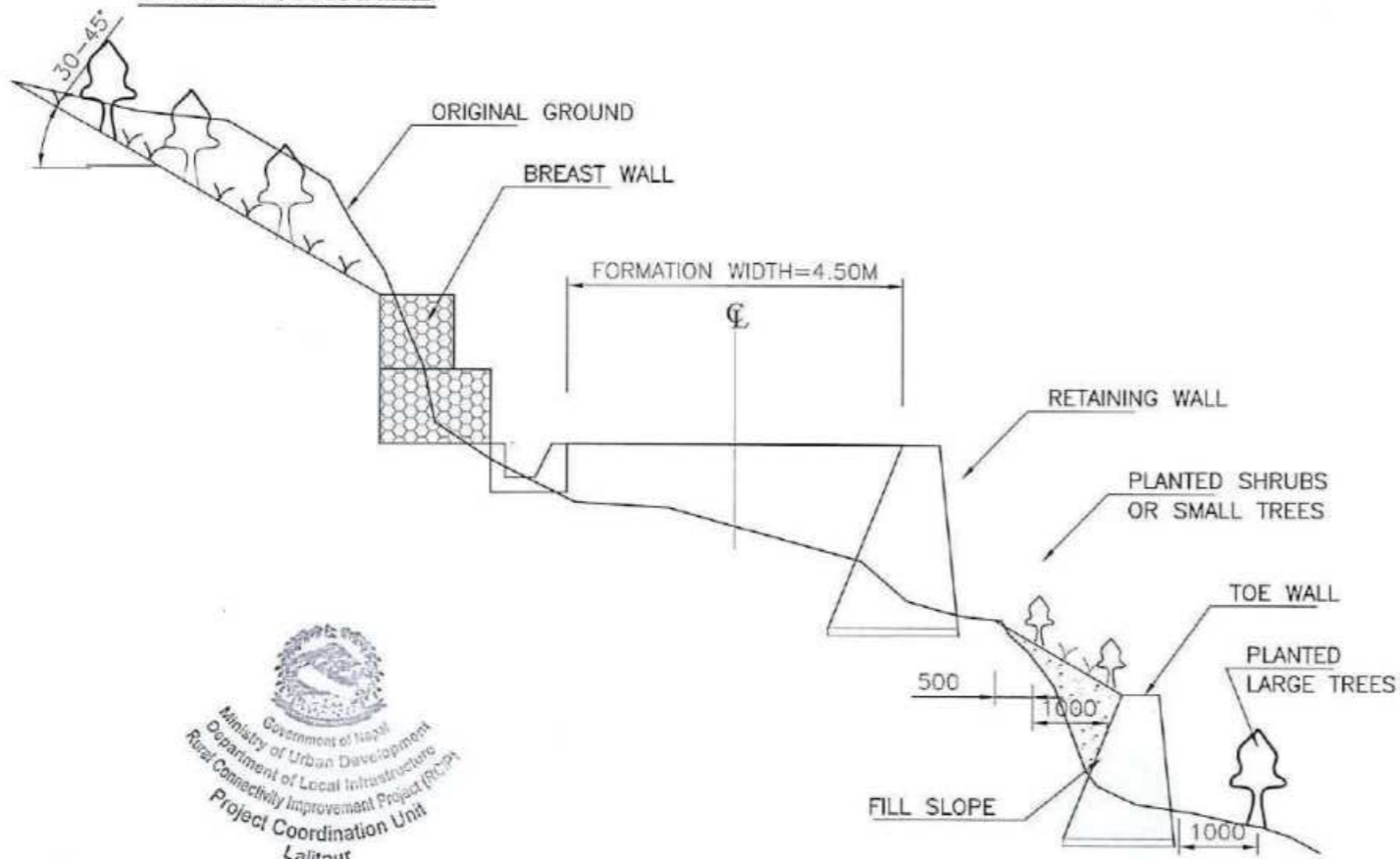


COMBINED BREASTWALL WITH BIOENGINEERING WORKS ON BACKFILL AND CUT SLOPE.

(B2) PLAN

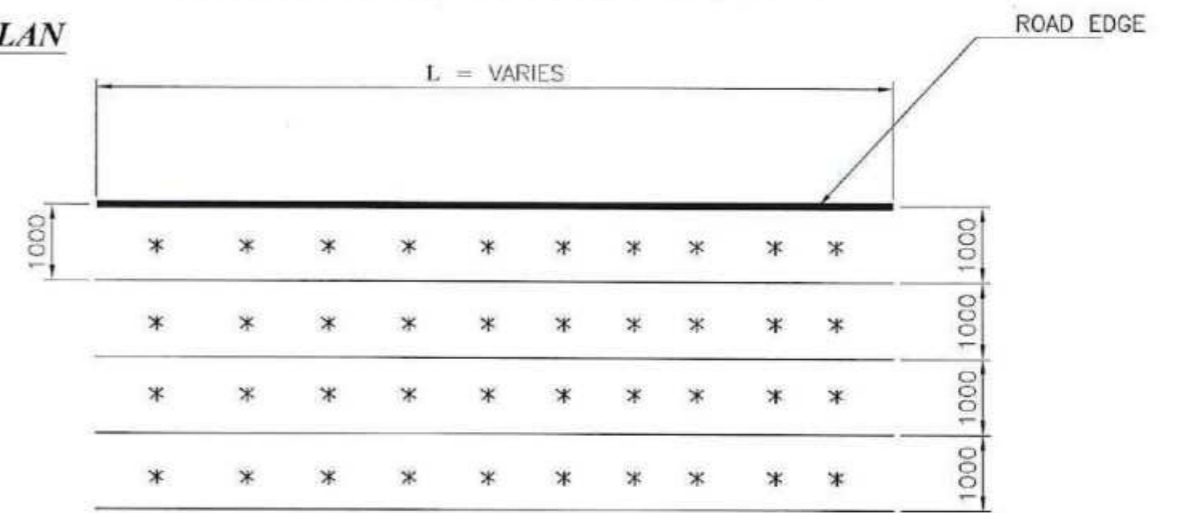


SECTION/PROFILE

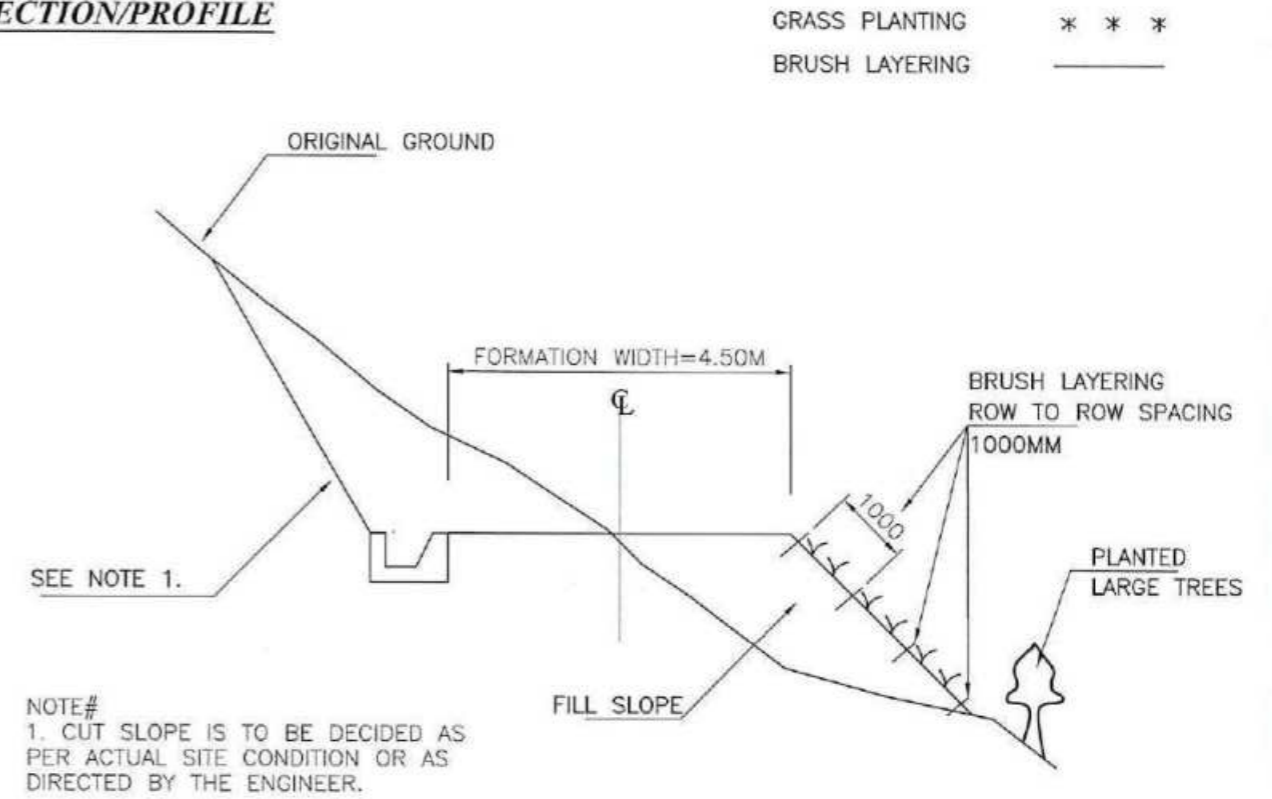


BIOENGINEERING WORKS ON FILL SLOPE.

(B3) PLAN



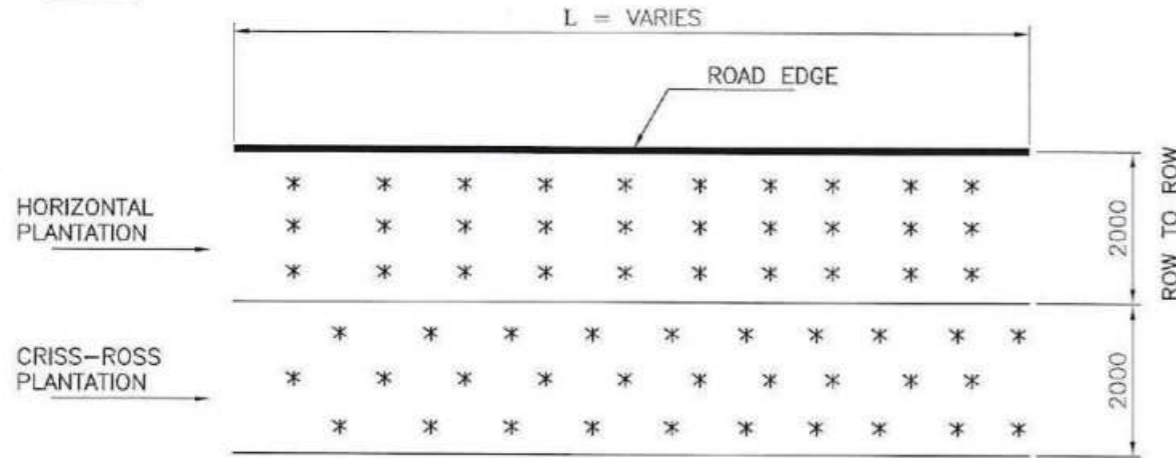
SECTION/PROFILE



<p>Government of Nepal Ministry of Federal Affairs and General Administration Department of Local Infrastructure (DoLI) Rural Connectivity Improvement Project (RCIP) Project Coordination Unit (PCU) Pulchowk, Lalitpur</p>	<p>Consultant: Joint Venture of AVIYAAN - SOILTEST - CARD 254 Ekata Marg, New Baneshwor, Kathmandu-34, Nepal Phone: 977-1-4104307 Email: info@aviyaan.com</p>	<p>Jagadi - Dhansari - Ganeshman Charnath Na. Pa. (Province No - 2 Connecting) Road</p>	DATE	REVISION	SIGNATURE	DESIGNED BY :	SCALE D76 As Shown	TYPICAL DRAWING	DATE:
						DRAWN BY :			Bio Engineering
						CHECKED BY :			SHEET NO : 5
						APPROVED BY :			

BRUSH LAYERING ON EMBANKMENT SLOPES

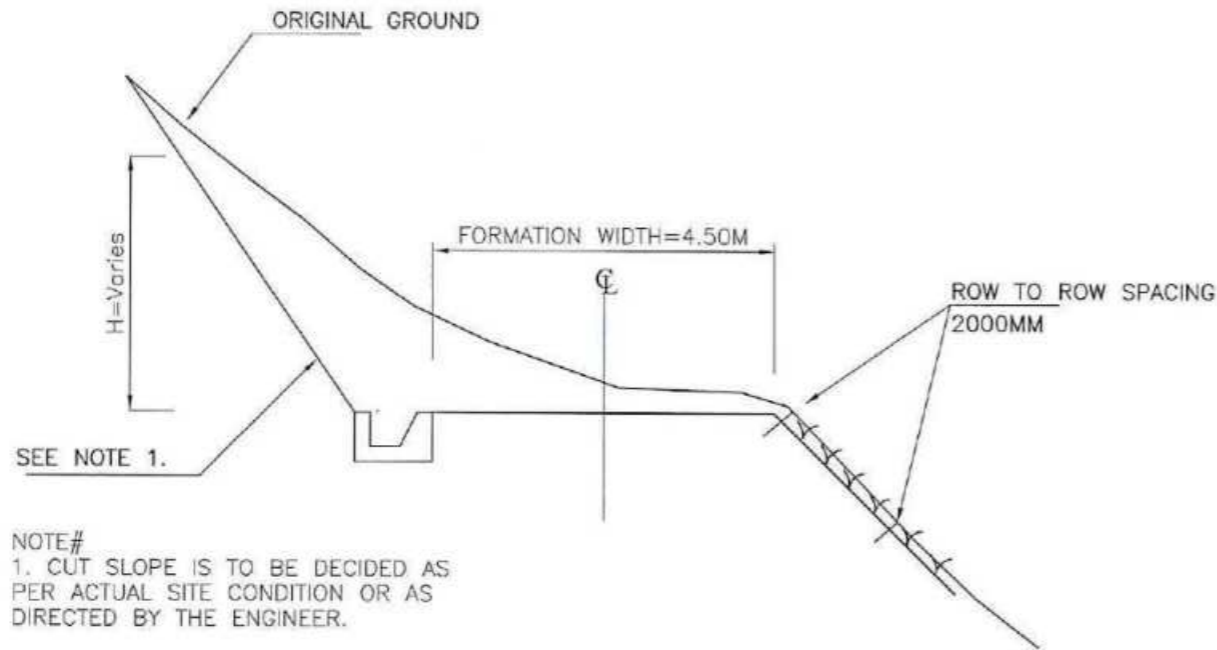
PLAN



SECTION/PROFILE

LEGEND

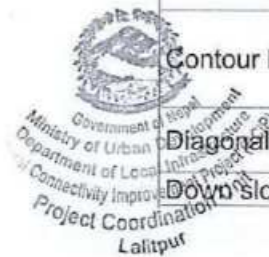
GRASS PLANTING * * *
BRUSH LAYERING ———



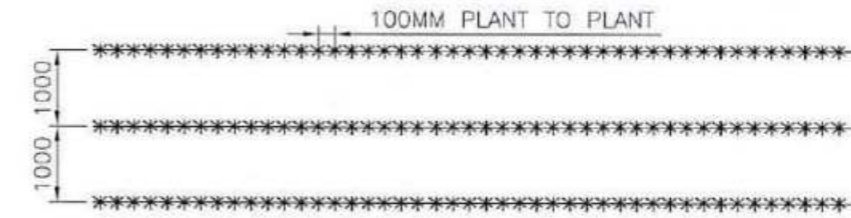
NOTE#
1. CUT SLOPE IS TO BE DECIDED AS PER ACTUAL SITE CONDITION OR AS DIRECTED BY THE ENGINEER.

SPACING DETAIL FOR GRASS PLANTING

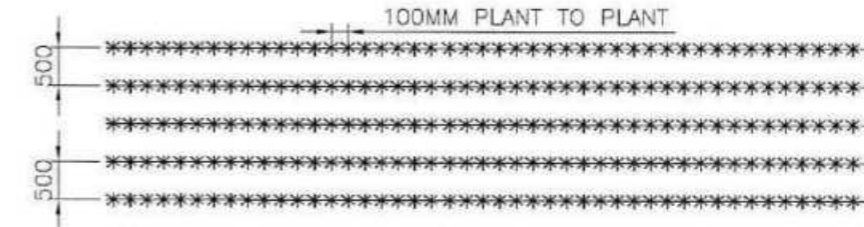
Planting configuration	Slope steepness	Spacing	
		Plant to Plant	Row to Row
Random lines	Slopes		
Contour Lines	Slope less than 30°	100mm	1000mm
	Slope less than 30°-45°	100mm	500mm
	Slope less than 45°	100mm	300mm
Diagonal Down slopes lines	Slopes less than 30°	100mm	300mm
	Slope more than 30°	100mm	300mm
	ALL Slopes	1000mm	300mm



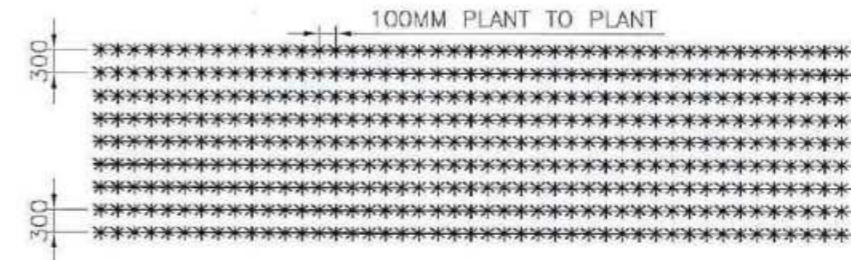
1. GRASS PLANTING LINES CONTOUR/ HORIZONTAL, SLOPE <30°



2. GRASS PLANTING LINES CONTOUR/ HORIZONTAL, SLOPE <30°-45°

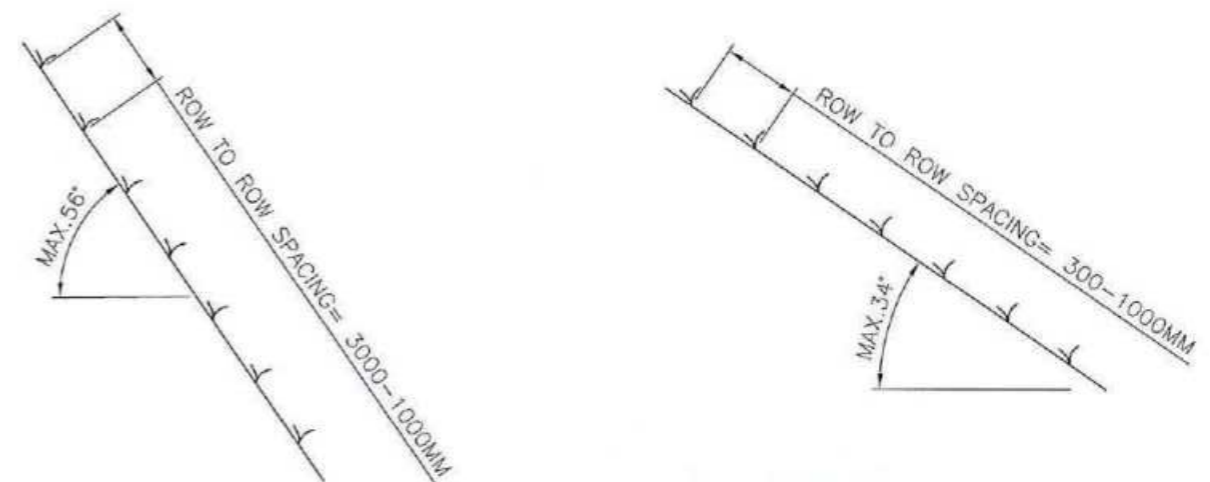


3. GRASS PLANTING LINES CONTOUR/ HORIZONTAL, SLOPE >45°

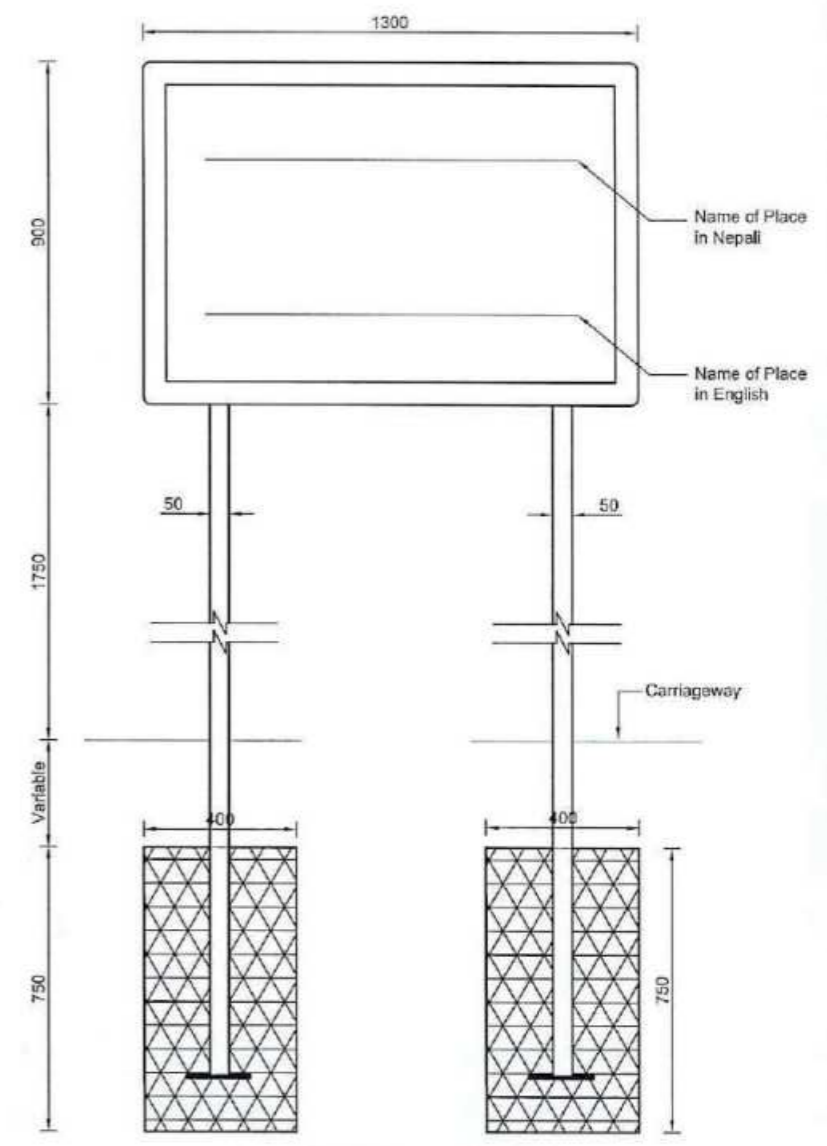
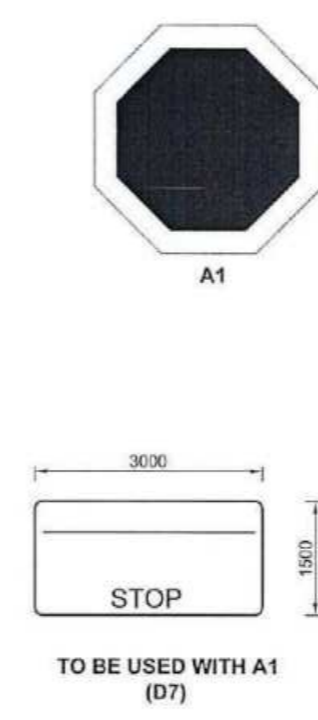
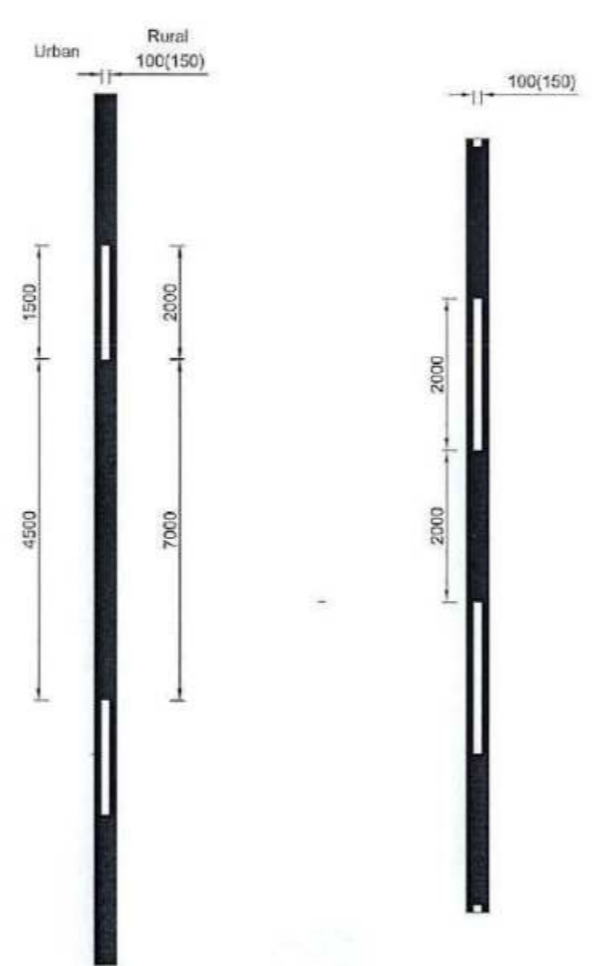
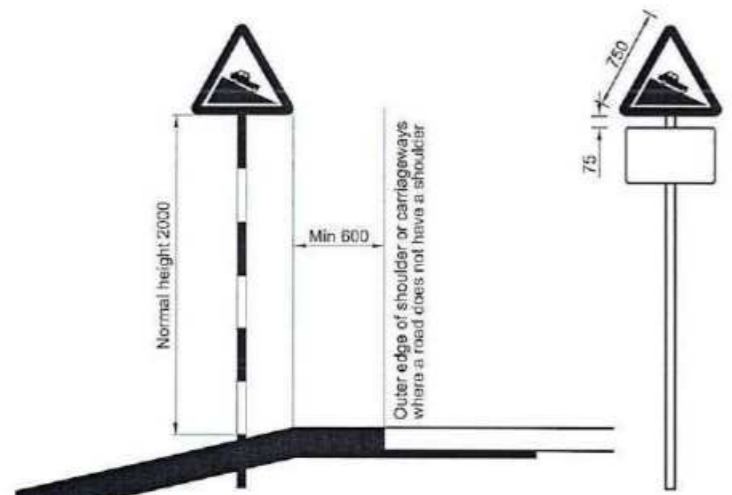
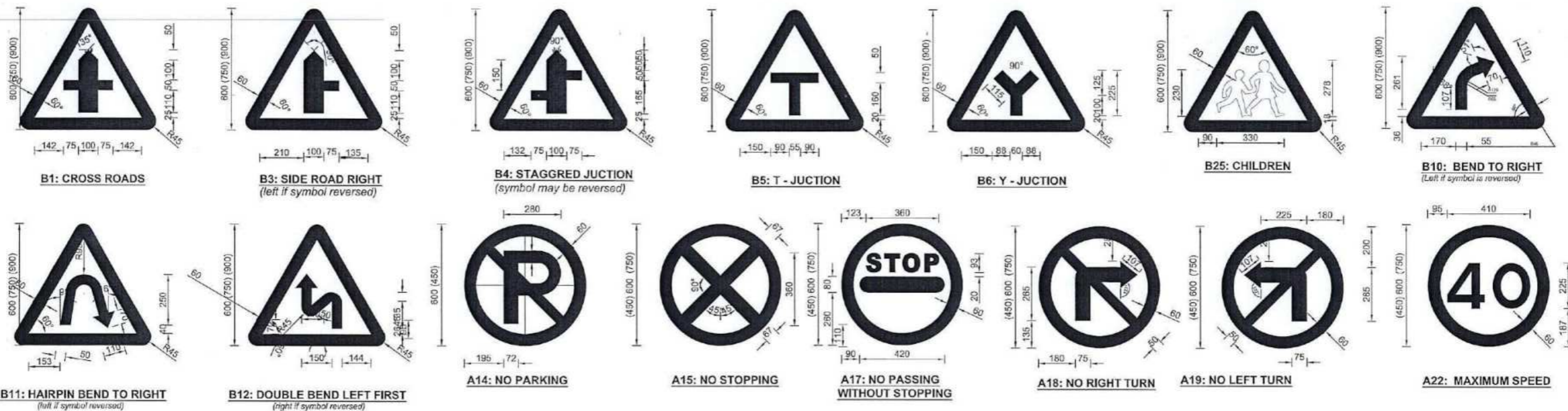


A) CUT SLOPES

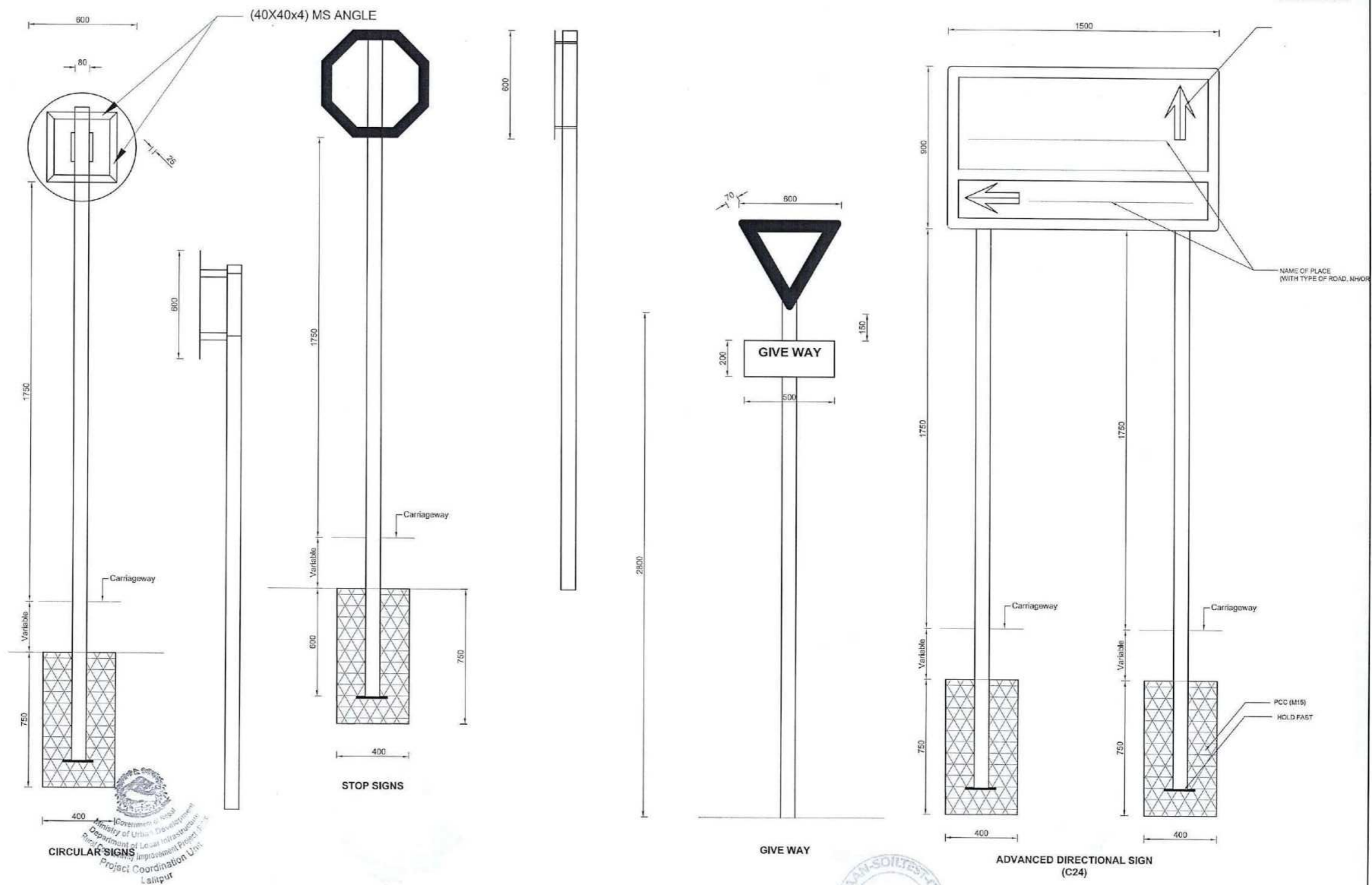
B) FILL SLOPES



SIDE VIEW OF GRASS PLANTATION



Government of Nepal Ministry of Federal Affairs and General Administration Department of Local Infrastructure (DoLI) Rural Connectivity Improvement Project (RCIP) Project Coordination Unit (PCU) Pulchowk, Lalitpur	Consultant: Joint Venture of AVIYAAN - SOILTEST - CARD 254 Ekata Marg, New Baneshwor, Kathmandu-34, Nepal Phone: 977-1-4104307 Email: info@aviyaan.com	Jagadi - Dhansari - Ganeshman Charnath Na. Pa. (Province No - 2 Connecting) Road	DATE	REVISION	SIGNATURE	DESIGNED BY :	SCALE 070 As Shown	TYPICAL DRAWING	DATE:
						DRAWN BY :		DRG NO : TS	
					CHECKED BY :		Traffic Signs	SHEET NO : 1	
					APPROVED BY :				



Government of Nepal
 Ministry of Urban Development
 Department of Local Infrastructure
 Rural Connectivity Improvement Project
 Project Coordination Unit
 Lalitpur

Government of Nepal
 Ministry of Federal Affairs and General Administration
 Department of Local Infrastructure (DoLI)
 Rural Connectivity Improvement Project (RCIP)
 Project Coordination Unit (PCU)
 Pulchowk, Lalitpur

Consultant:
 Joint Venture of
AVIYAAN - SOILTEST - CARD
 254 Ekala Marg, New Baneshwor,
 Kathmandu-34, Nepal
 Phone: 977-1-4104307
 Email: info@aviyaan.com

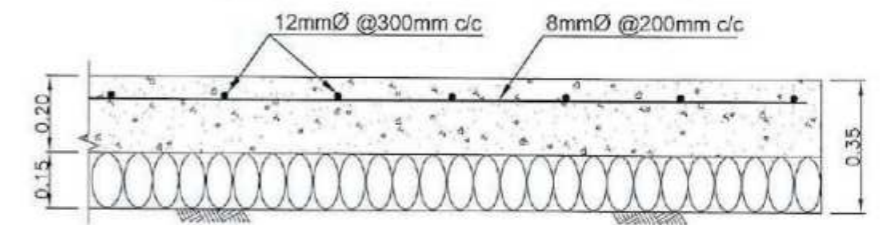
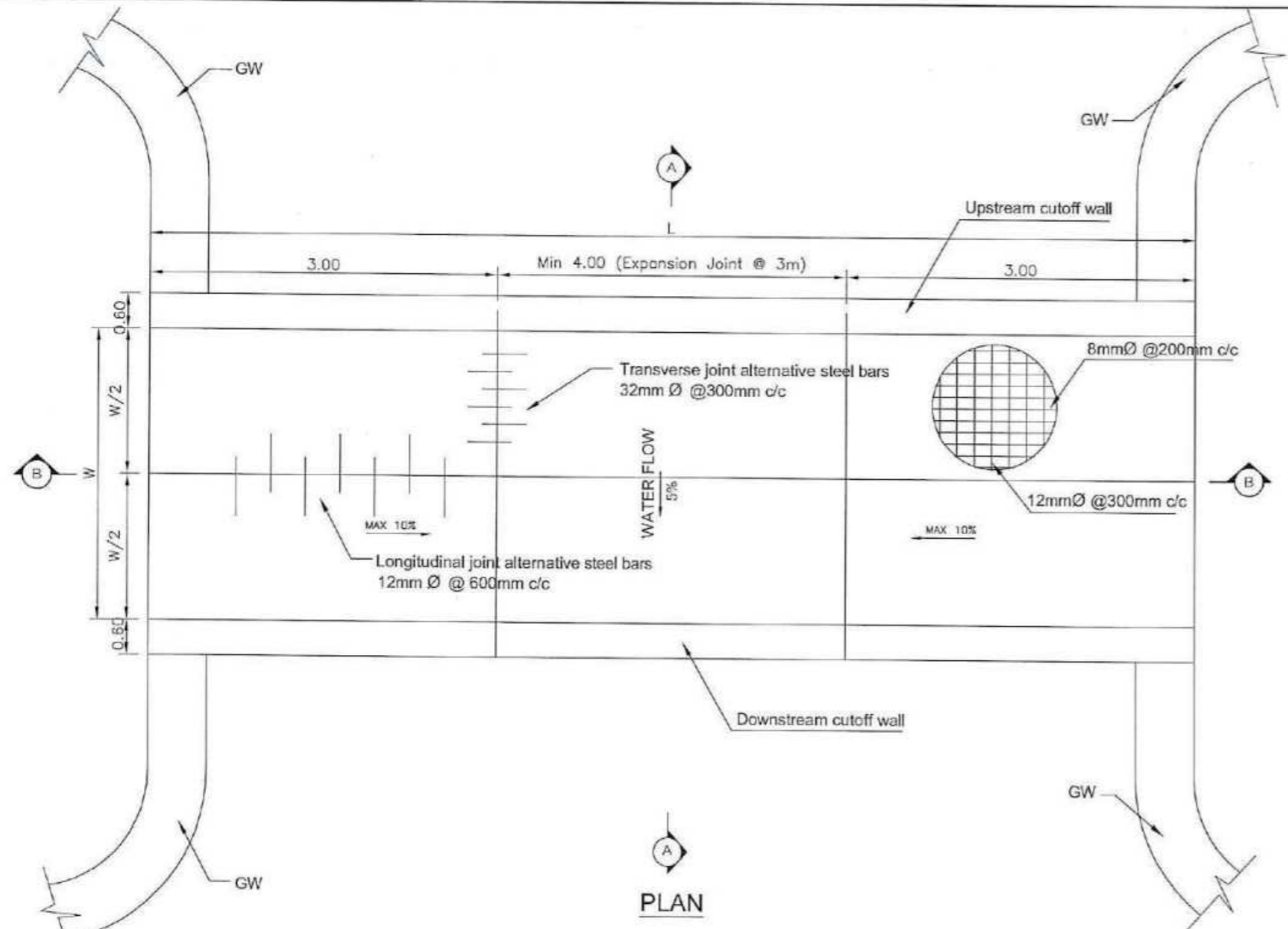
Jagadi - Dhansari -
 Ganeshman Charnath Na. Pa.
 (Province No - 2 Connecting)
 Road

DATE	REVISION	SIGNATURE	DESIGNED BY :
			DRAWN BY :
			CHECKED BY :
			APPROVED BY :

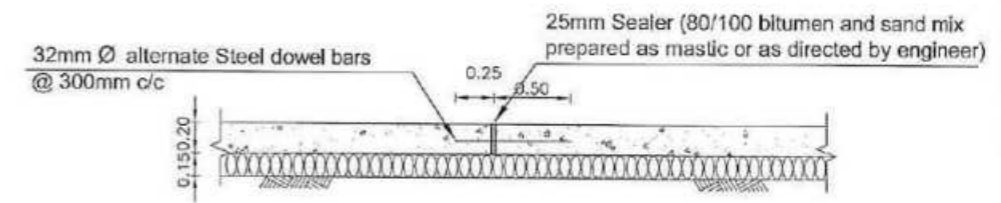
SCALE
 0/76
 As Shown

TYPICAL DRAWING
 Traffic Signs

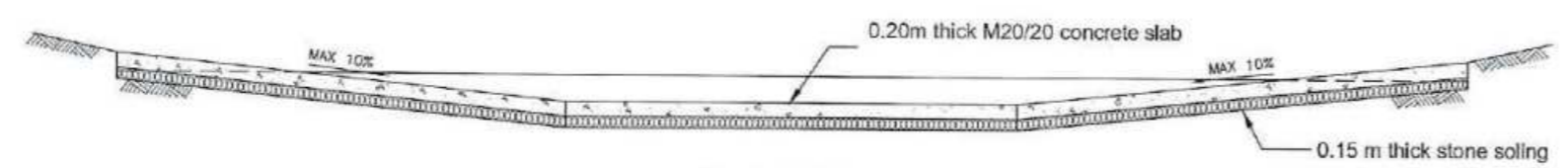
DATE:
 DRG NO : TS
 SHEET NO : 2



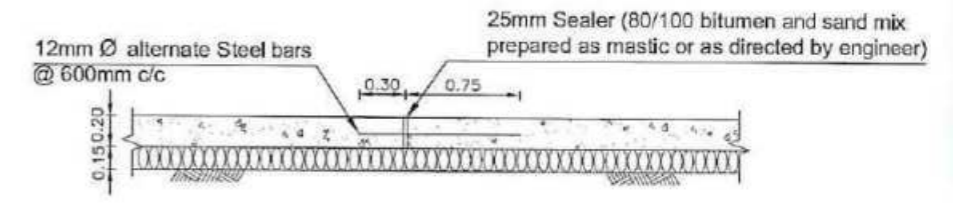
DETAIL AT B-B
SCALE 1:20



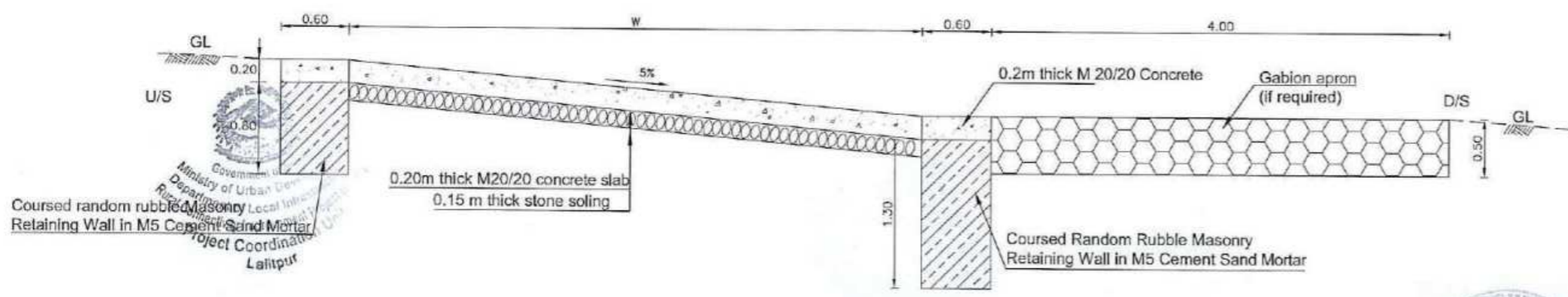
DETAILS OF TRANSVERSE JOINT (EXPANSION)
SCALE 1:50



SECTION B-B



DETAILS OF LONGITUDINAL JOINT
SCALE 1:50



SECTION A-A
SCALE 1:50

Note:
 1. L, W and H may vary as per site condition.
 2. All dimensions are in meters unless otherwise mentioned.
 3. The bed protection type at outlet is shown as an example. It shall be modified according to site condition.
 4. The guide walls (partly or wholly) may be omitted depending upon the site condition.

Government of Nepal
 Ministry of Federal Affairs and General Administration
 Department of Local Infrastructure (DoLI)
Rural Connectivity Improvement Project (RCIP)
 Project Coordination Unit (PCU)
 Pulchowk, Lalitpur

Consultant:
 Joint Venture of
AVIYAAN - SOILTEST - CARD
 254 Ekata Marg, New Baneshwor,
 Kathmandu-34, Nepal
 Phone: 977-1-4104307
 Email: info@aviyaan.com

Jagadi - Dhansari -
 Ganeshman Charnath Na. Pa.
 (Province No - 2 Connecting)
 Road

DATE	REVISION	SIGNATURE	DESIGNED BY :	SCALE
			DRAWN BY :	076
			CHECKED BY :	
			APPROVED BY :	

As Shown.

TYPICAL DRAWING	DATE:
RCC Causeway	DRG NO : CW
	SHEET NO : 1